

FREESTANDING FAUCET
INSTALLATION GUIDE

Thank you for choosing Valley Acrylic Products. This installation manual provides general information on the installation of our products.

BEFORE YOU BEGIN

- Read all instructions before beginning installation.
- Consult local building codes to make sure the installation complies with standards.
- Remove the unit from its packaging. Before disposing of packaging, inspect the unit to make sure it is in good condition.
- Should inspection reveal any damage or defect in the finish, Contact Valley Acrylic Bath Ltd. at 1-877-398-8827. The warranty does not cover damages or defects in the finish once the unit has been installed. The manufacturer's responsibility for shipping damages ceases upon delivery of the product in good order to the carrier. All complaints regarding damage due to transport must be made directly to the carrier.

CAUTION

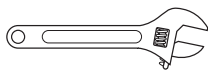
RISK OF PERSONAL INJURY OR PRODUCT DAMAGE. HANDLE WITH CARE. PRODUCT CAN BREAK, CHIP OR CAUSE INJURY IF HANDLED CARELESSLY. GET HELP LIFTING THE LAVATORY.

WE RECOMMEND THE INSTALLATION OF THIS PRODUCT BE DONE BY A LICENSED PROFESSIONAL PLUMBER.

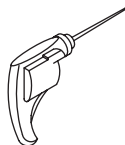
REQUIRED TOOLS



Teflon Tape



Adjustable Wrench



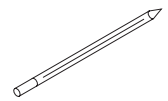
Cordless Drill



Phillips screwdriver



Tape Measure



Pencil



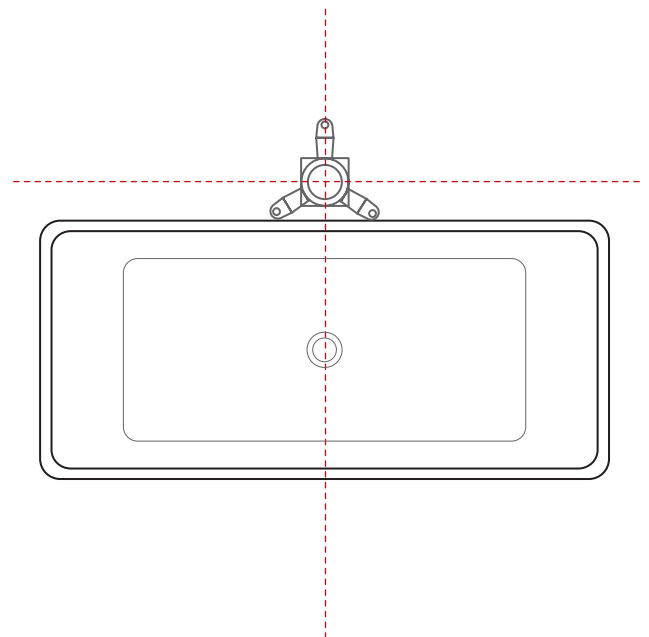
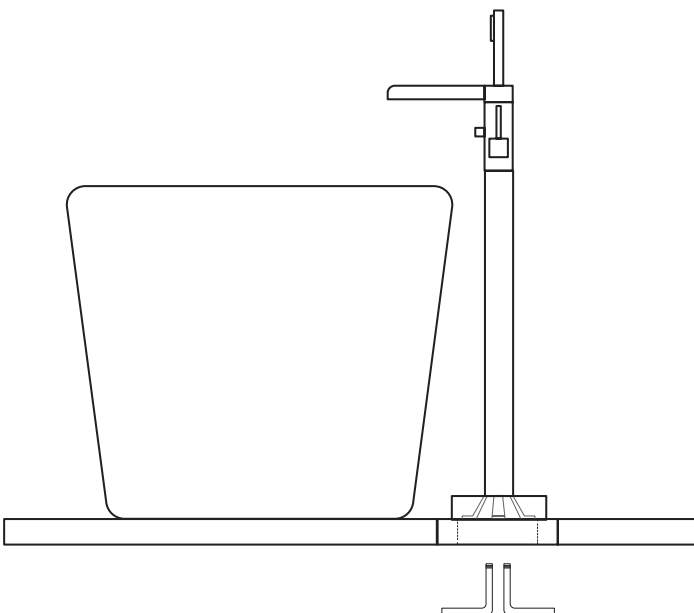
CAUTION
ALL DIMENSIONS SHOULD BE VERIFIED PRIOR TO INSTALLATION. DIMENSIONS MAY VARY
DEPENDING ON INSTALLATION.

PREPARE FOR INSTALLATION

Before beginning the installation:

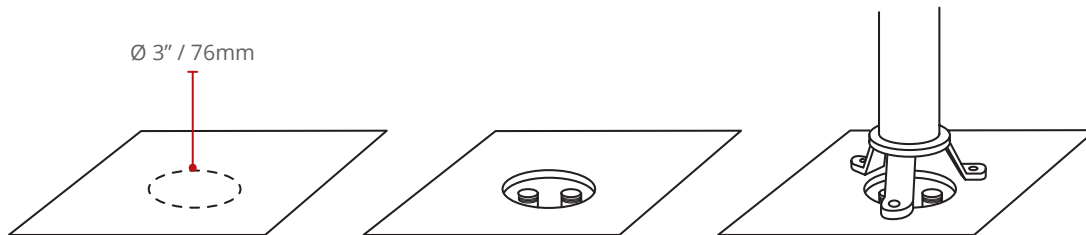
- Determine where on the floor the supply lines are located.
 - Make sure the distance between the final resting place of the freestanding faucet and the bathtub is suitable.
- Verify correct spout orientation before any installation is made.

NOTE: The appearance of your faucet may differ from the illustrations in this guide. The instructions still apply.

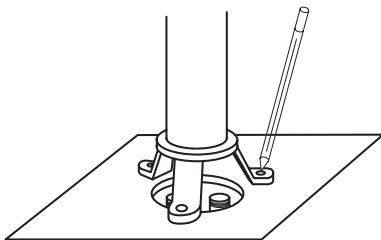


01 INSTALLING THE FAUCET BASE

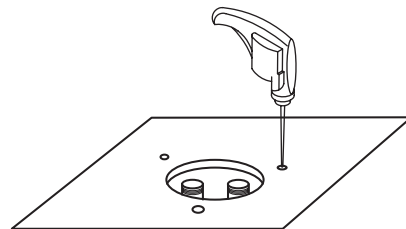
- Cut a 3" hole where the supply lines are located.
- Make sure the water supply lines are FLUSH with the floor



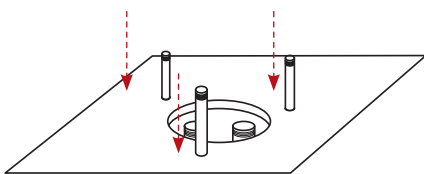
- ### 02
- Position the freestanding faucet on place.
 - Mark the screw locations



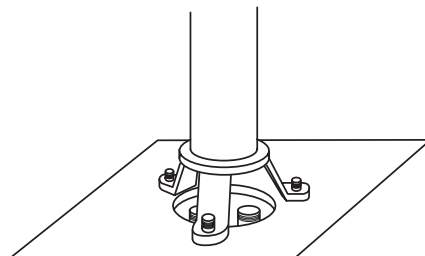
- ### 03
- Drill the screw holes.



- ### 04
- Install the screws into place.

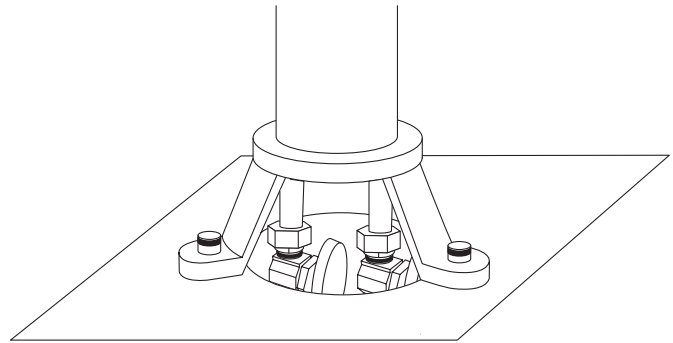
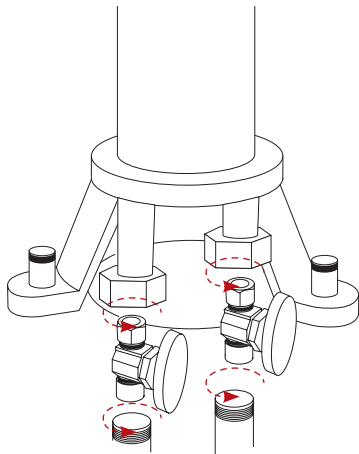


- ### 05
- Place the faucet into place.

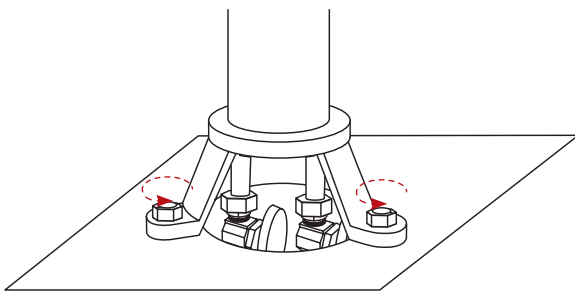


06 **NOTE:** We recommend using CR19 shut-off valves to install the faucet.

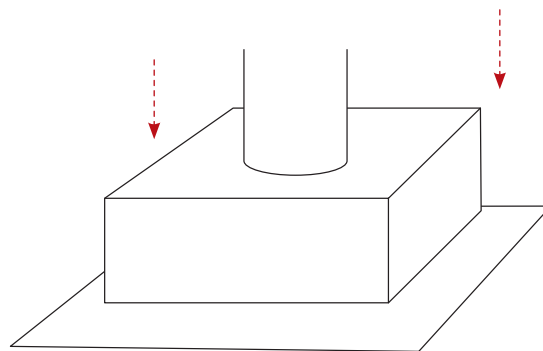
- Screw the faucet hoses to the CR19 shut-off valves.
- Screw the CR19 to the supply lines.
- Make sure to connect the hot and cold water supply in the adequate connections.

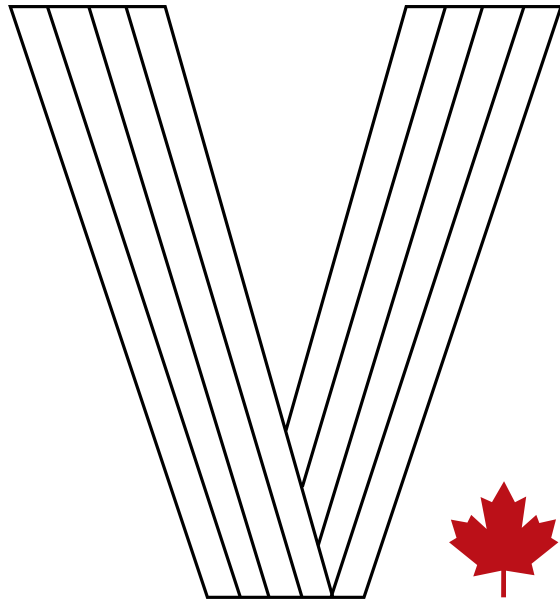


07 • Install the screw caps.



07 • Install the faucet cap.





VALLEY  [®]

...you dream it, we create it