

NEO ANGLE SHOWER BASE INSTALLATION GUIDE

Thank you for choosing Valley Acrylic Products. This installation manual provides general information on the installation of our products.

All the information in this guide is based upon the most recent product information available at the time of this publication. Valley Acrylic reserves the right to make changes to product characteristics, packaging, or availability at any time without notice.

Thank you for your purchase!



NOTE: Some units are available with centre, left, or right-hand drain; check the drain position before drilling the floor. Do not store these units outdoors, or in direct sunlight to avoid UV damage. Keep the unit cartoned until it reaches your bathroom site for additional protection. This unit should be handled with care.

BEFORE YOU BEGIN

- Please read these instructions carefully before beginning your installation.
- Consult your local building codes to ensure that your installation complies with local standards.
- Remove the unit from its packaging. Before disposing, packaging and taking unit from your sales person, inspect the unit to make sure it is in good shape.
- Should inspection reveal any damage or defect in the finish, **Contact Us**. The warranty does not cover damages or defects in the finish once the unit has been installed. Valley's responsibility for shipping damages ceases upon delivery of the product in good order to the carrier. All complaints regarding damage due to transport must be made directly to the carrier.
- To protect the unit during installation, we suggest that you lay a piece of flat cardboard on the bottom and a moving blanket until you are ready to install it to prevent damage.
- Do not remove the protective polyethylene film from your product until installation is completed to ensure maximum protection from inadvertent damage, except in areas where two surfaces will be in permanent contact.
- Ensure that the floor is level and strong enough to support the weight of the unit.
- If you are building walls, ensure that they are properly insulated for heat retention, and sound deadening, and that they comply with any applicable building codes before finishing your renovation.
- Please refer to your product's specification sheet and ensure that both your unit and build plan measure match the stated sizes.



IMPORTANT INFORMATION

STRUCTURE INSTALLATION

DO NOT build the surrounding structure before receiving your unit. Structure measurements should be verified against the unit to ensure a proper fit.

PLUMBING

Make sure you install all plumbing and drainage before securing the unit. It is always recommended to have a Red Seal certified plumber do the plumbing installations.

Before drilling a hole in the floor for the drainpipe, make sure there are no hidden elements underneath (pipes, floor joists, heating ducts, electrical wires, etc).

LEVELING AND SUPPORT

You should check the leveling of this unit repeatedly during installation to see the best results. Level the unit by removing or adding the wood shims. After leveling, use mortar to reinforce.

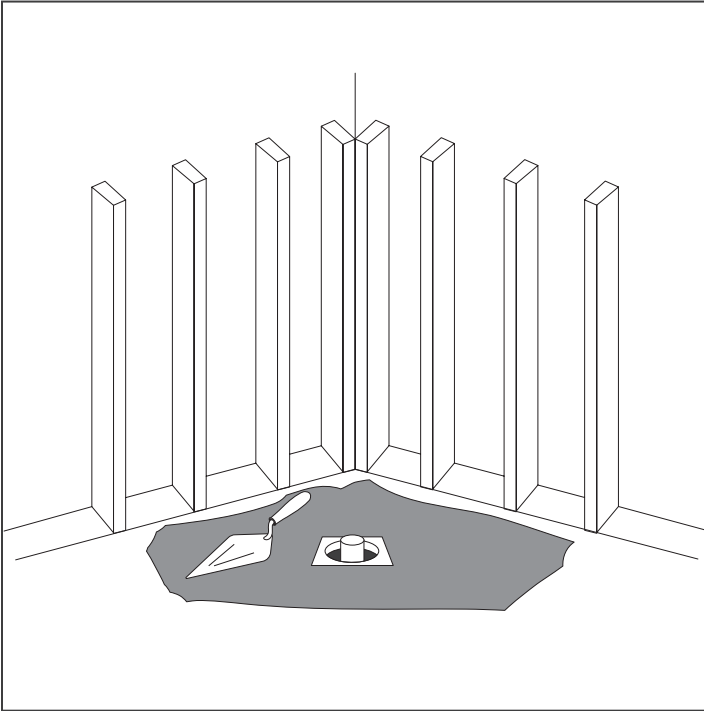
To provide additional support, soundproof & facilitate leveling, spread a layer of cement and cover it with a 1/16" (2mm) thick sheet of polyethylene. This layer must be thick enough to facilitate the leveling of the unit without raising it off the floor.

Once the unit is in place, check that it is perfectly level in both directional axes to ensure that the unit drains properly when in use. The front flange edge must rest as evenly as possible along the floor and cannot be raised. If the front of your unit does not rest evenly along the floor this can result in a faulty installation, improper drainage & a poor final appearance, or inability to properly seal your unit in place with silicone.

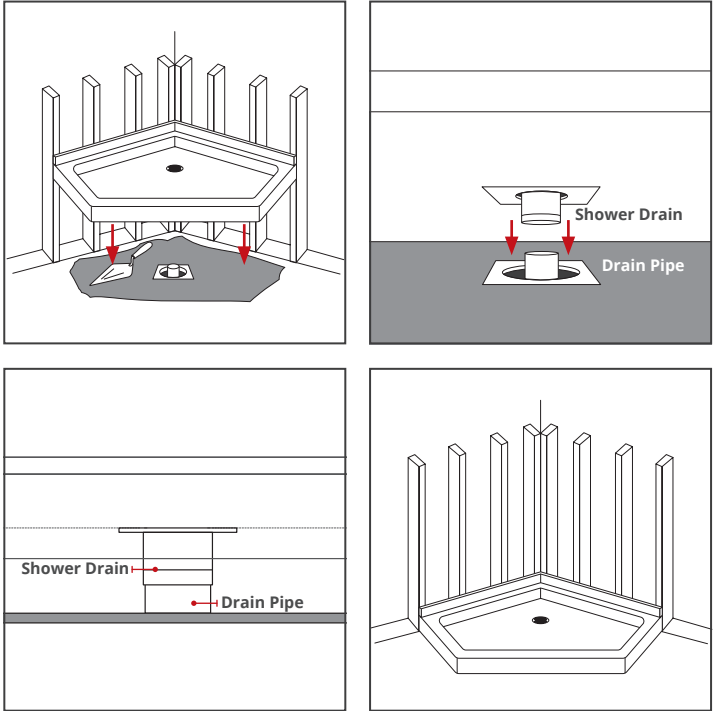
REQUIRED TOOLS

- Measuring Tape
- Pencil
- 3/16" (5mm) and 1/8" (3mm) drill bits
- Hole saw
- Electric drill
- Screwdriver
- Pliers
- Level
- Safety glasses
- Water-resistant glue
- Silicone sealant
- Wood wedges
- 2" x 2" x 3" wood blocks (51mm x 51mm x 76mm)
- No 8 x 1 1/4" screws (4.2mm x 32mm) Flat or Phillips head
- 3/4" x 1" wood stud (19mm x 25mm) for alcove installation
- Mortar

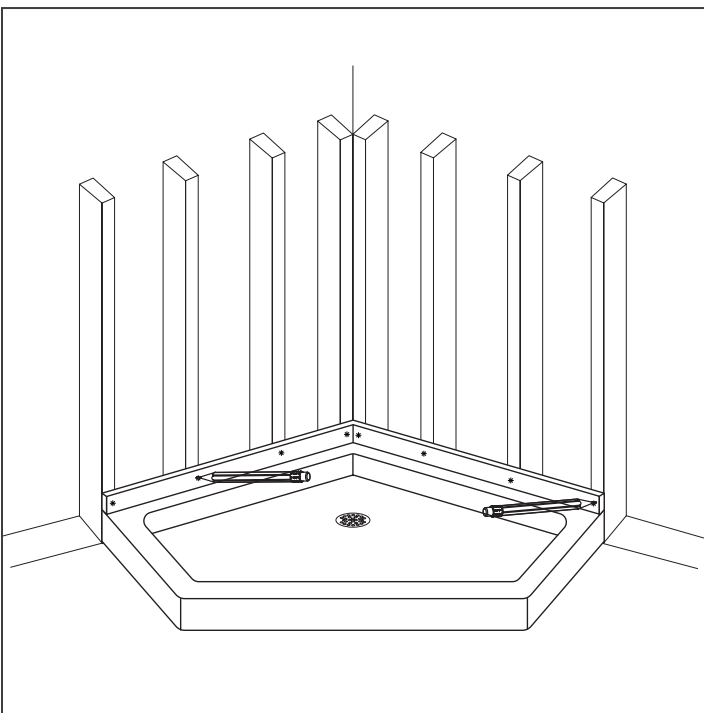
01 Apply Mortar to the floor surface



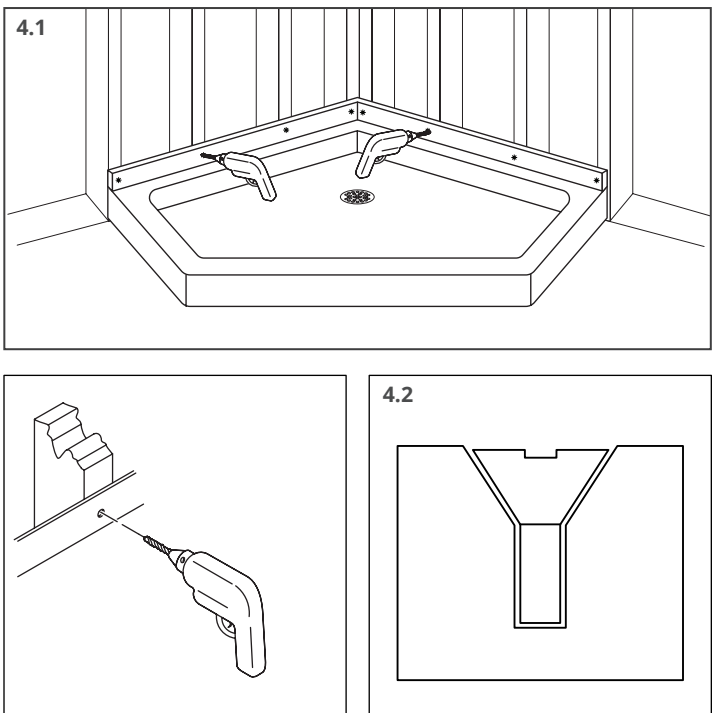
02 Lift the shower base into position. Make sure to align the drain with the pipe. Adjust it for leveling purposes.



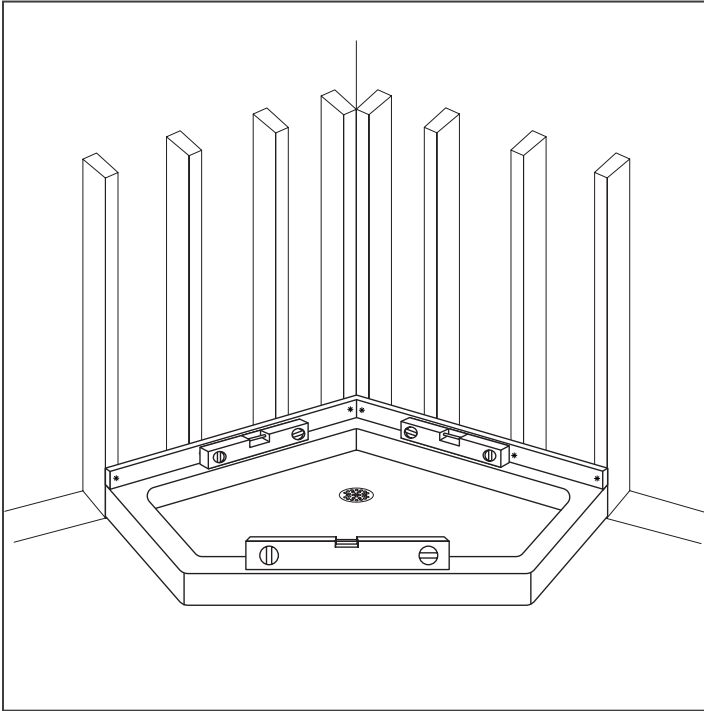
03 Using a pencil, mark the shower base flange where the wall studs are.



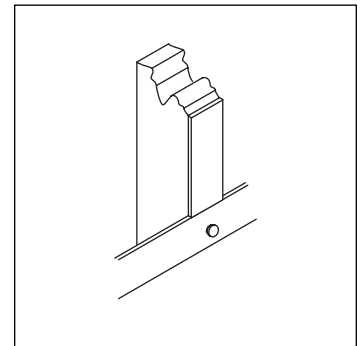
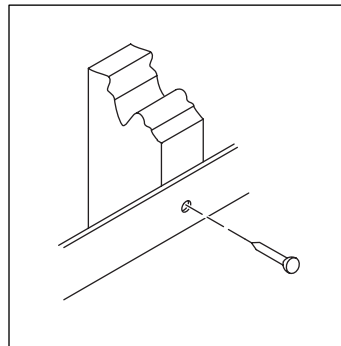
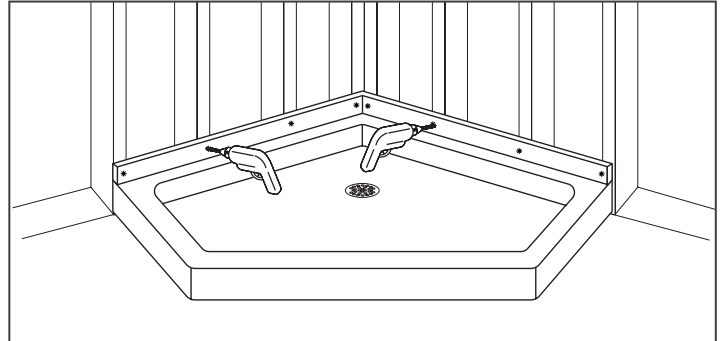
04 4.1 Pre-Drill small pilot holes through the flange at the studs.
4.2 Countersink the hole to allow a flathead screw to seat flush.



05 Level all sides of the shower base.



06 Securely screw the shower base into frame.



Ensure that the drain is tightened and sealed; if factory supplied gasket is provided you may use that, or mildew resistant, fungicidal silicone to seal the drain, but not both. Fill shower base with a ¼" of water, and let sit for a period of 24 hours to ensure that there are no leaks.

MAINTENANCE

- For daily cleaning, use hot soapy water and vinegar.
- For acrylic surfaces, occasional use of a special acrylic surface cleaner will add luster and protect the finish.
- Joint compound: Use a plastic or wood spatula covered with a damp cloth. Do not use a metal blade or a metal brush. If a rubber mat is used, it must be removed immediately after each use.
- **Do not** use abrasive cleaners, scrapers, metal brushes, or any items or products that could scratch or dull the surface.
- Ignoring this recommendation will cause damage not covered by the warranty.

WARRANTY

Valley Acrylic offers the following express limited warranties on its products. These warranties extend only to the original owner/end-user for personal household use and start from the manufacturing date of the unit. For commercial uses, additional limitations apply.

This limited warranty, starting on the original purchase date, is only offered to the original purchaser who acquires the product directly from authorized Valley dealers. This limited warranty does not apply to cases in which a product was incorrectly installed, nor to damage due to negligence, misuse, thermal shocks, cigarette burn, fire, natural disasters or other accidents

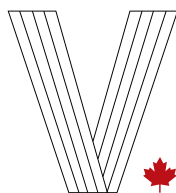
Valley Acrylic's shower bases have a limited warranty for residential use for a period of **20 years** from the original purchase date, against any failure from improper manufacturing defects.

The warranty does not extend to:

- damage caused by cleaning, maintenance, or installation performed other than strictly in accordance with the information contained in the Instructions;
- damage caused by the use of strong chemicals;
- gloss reduction, scratching, or staining of the finish over time due to water impurities or atmospheric conditions;
- damage due to installation error, product neglect, misuse, or abuse, accident, or negligence, whether caused by the purchaser, a contractor, or a service provider, or any other cause beyond the control of Valley.

The company will replace or repair the defective product subject to the following conditions:

- Claim is made in writing to head office within 10 days of the problem being apparent;
- The product has been used in the manner that it was intended, this protection does not apply to any products that have been misused in any way;
- The product must have been installed and cared for in line with our instructions



VALLEY[®]

...you dream it, we create it

Congratulations! You are now a part of the Valley Acrylic family, and an owner of a great Canadian-made product!