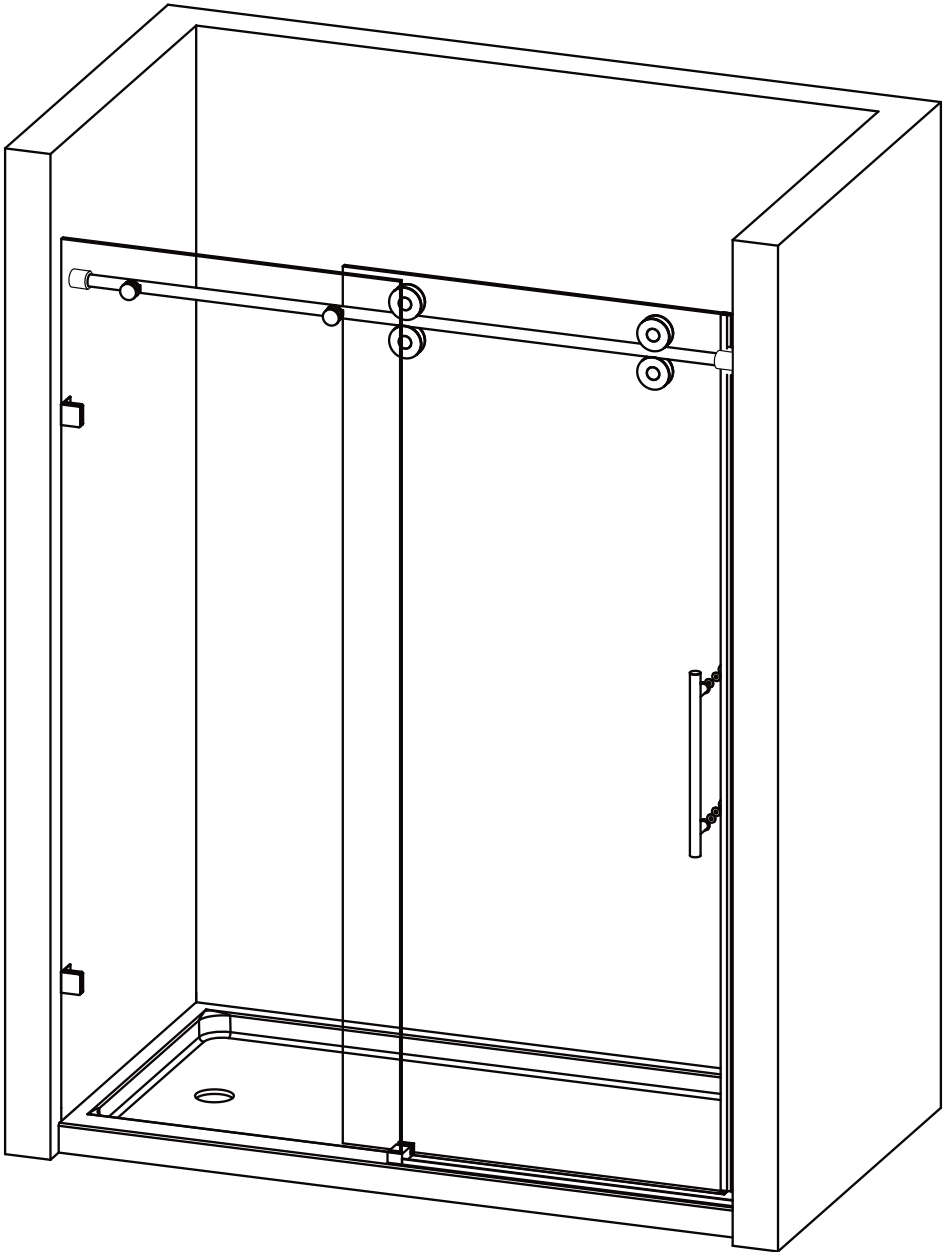


**INSTALLATION GUIDE**

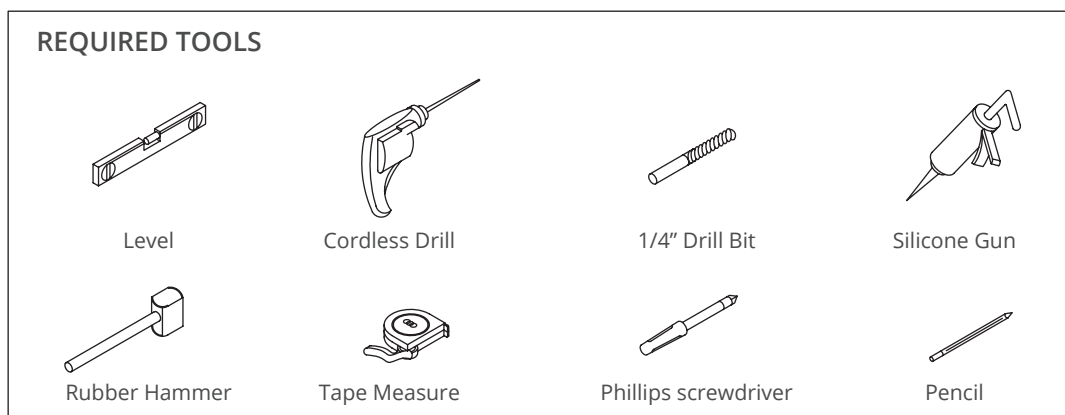


## INSTALLATION GUIDE

Thank you for choosing Valley Acrylic Products. This installation manual provides general information on the installation of our products.

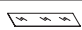




### BEFORE YOU BEGIN

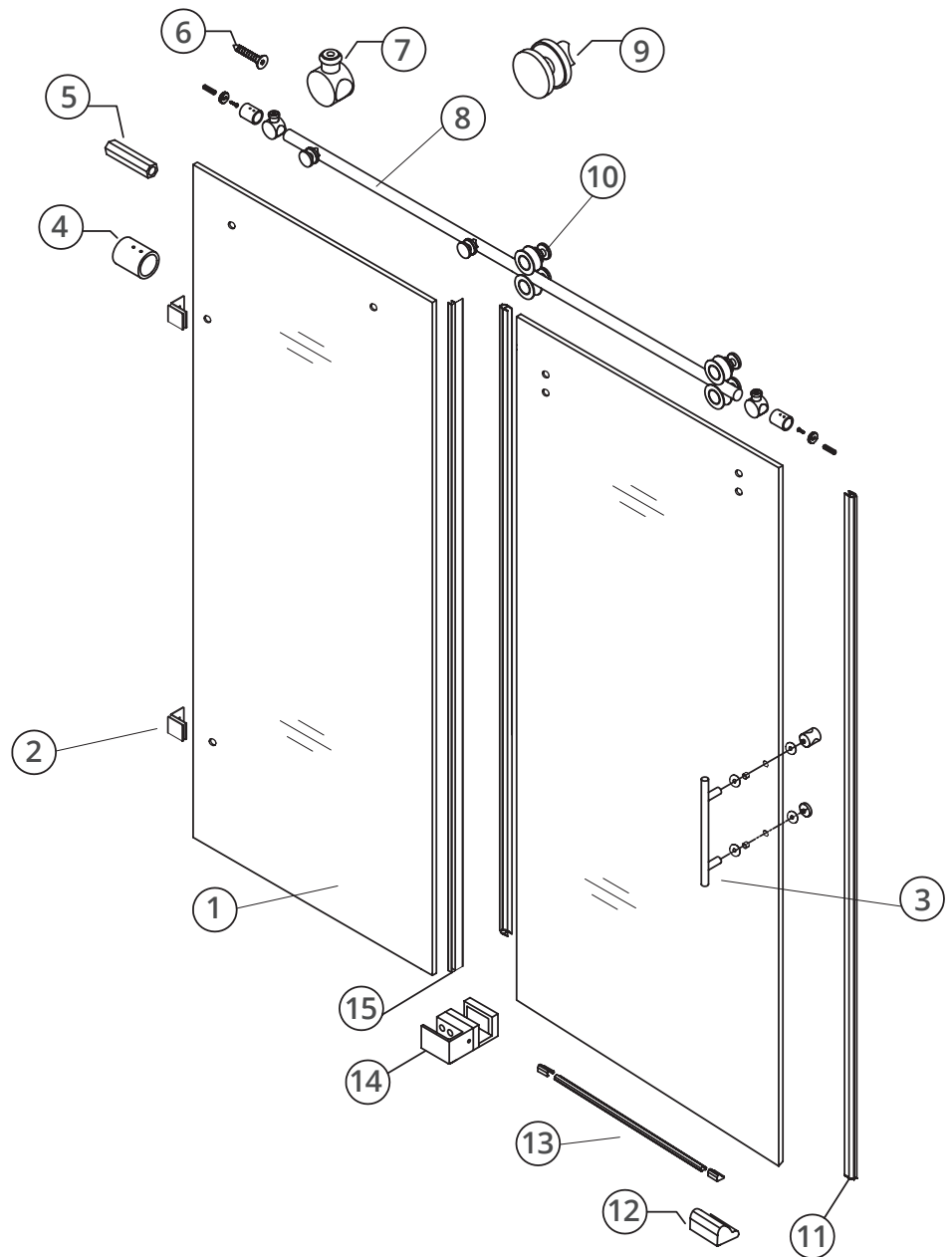
- Prior to installation, examine all boxes and packages for shipping damage and compare the piece count with your packing slip. After opening all boxes and packages read this instruction carefully. Check that all of the needed parts are included in the package by checking off the components on the "Detailed Diagram of Shower Enclosure Components". If the unit has been damaged, has a finishing defect, or has missing parts, Please contact us for replacements within 3 business days. Please note that we will not replace any damaged product or missing parts free of charge after 3 business days or if the product has been installed.
- Prior to installation, please ensure that the surface is level and solid and will be able to support the total weight of the unit. Also make sure that the walls are plumb. Depending on the type of unit you are installing, some adjustments in leveling may be possible. However, irregular installation surface level or out-of-square conditions can result in serious problems for your installation. Please note that some adjustments and drilling may be necessary. Please protect all primary surfaces of the product during installation.
- **NOTE:** This door is reversible for right or left-hand door installation. The right-hand door installation is shown as an example throughout this manual. For left-hand door installation, simply begin on the opposite wall and reverse the orientation of the steps shown.



## INSTALLATION GUIDE

### DETAILED DIAGRAM OF SHOWER ENCLOSURE COMPONENTS

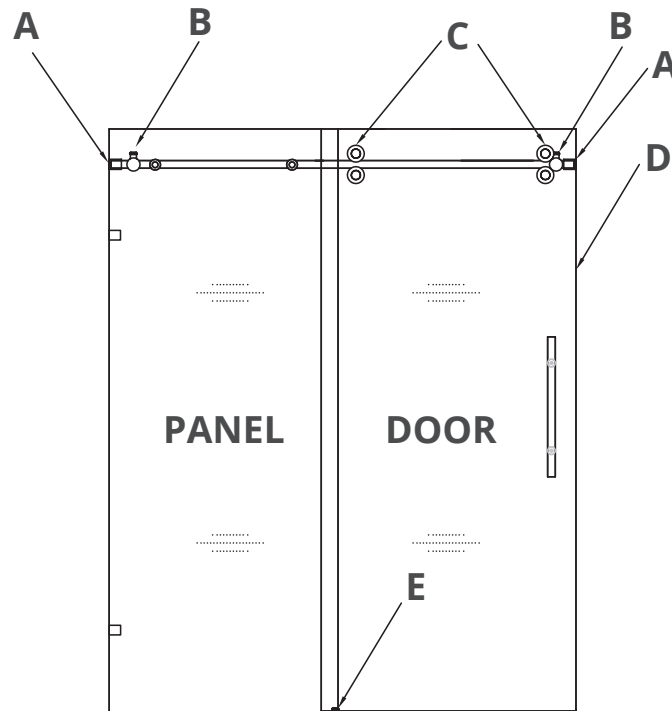
NO.	NAME	PICTURE	QTY.
1	Glass door		2
2	Wall hinges		2
3	Handle		1
4	Guide rail bracket		2
5	Rubber wall anchor		4
6	Round head screw ST5x35		4
7	Stopper		2
8	Running Rail		1
9	Rail clamp		2
10	Rollers		4
11	Bumper strip		2
12	Decorative cover		2
13	Anti-splash threshold		1
14	Guide block		1
15	F-Shape seal		1
16	Allen wrench		1



## INSTALLATION GUIDE



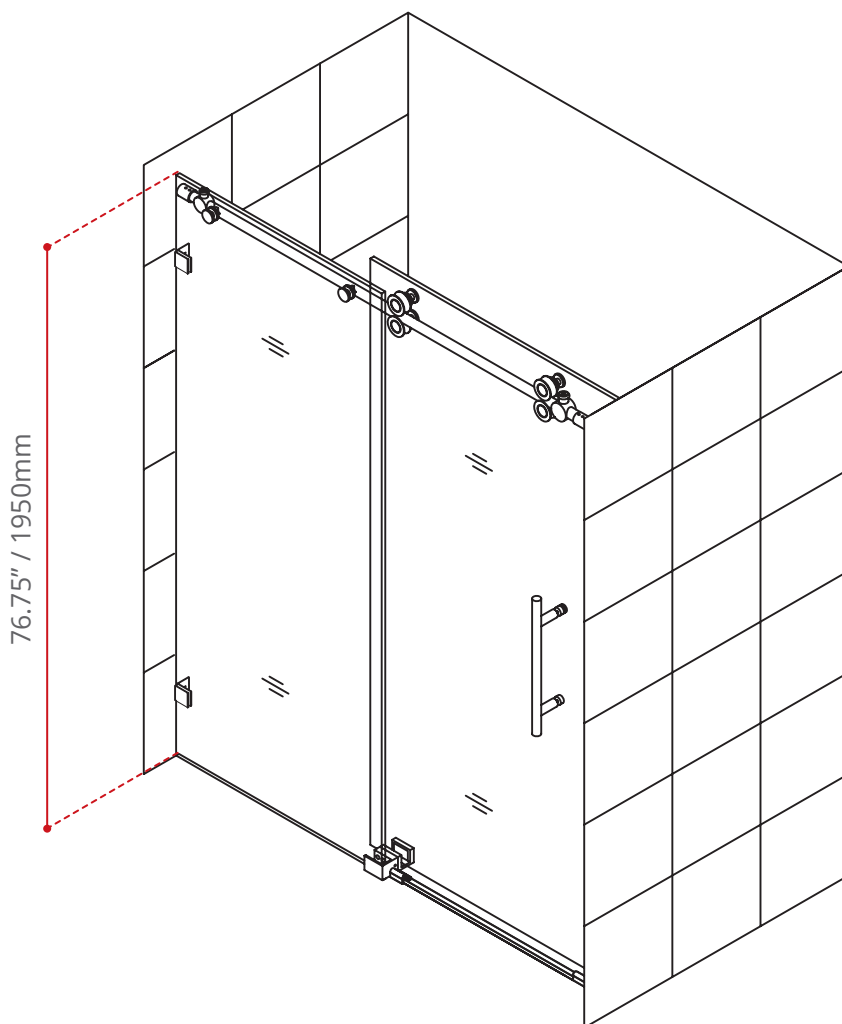
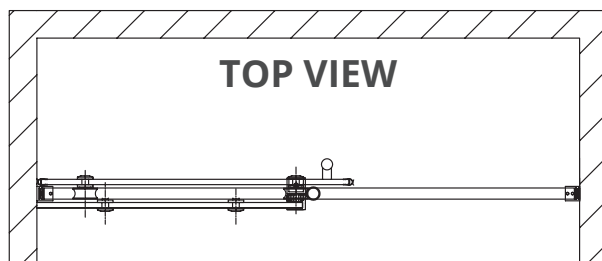
### IMPORTANT INFORMATION



- A. Guide Rail Brackets** must be firmly attached to the wall. Installation into a stud is strongly recommended. All of the guide rail bracket set screws must be tightened.
- B. Thread Lock** must be applied to both stopper set screws. Panel-side stopper must be installed into the pre-drilled stopper hole in the upper guide rail. Door-side stopper must be installed at the proper position to stop the door from contacting the wall.
- C. Roller Wheel Safety Set Screws** must be re-tightened after installation.
- D. Bumper Vinyl Seal** must be installed on the closing edge of the door glass.
- E. The Guide Block** must be screwed to the threshold and installed square to the panel glass and door glass. Installing the guide block crooked may damage the bottom edge of the door glass and lead to breakage.

## INSTALLATION GUIDE

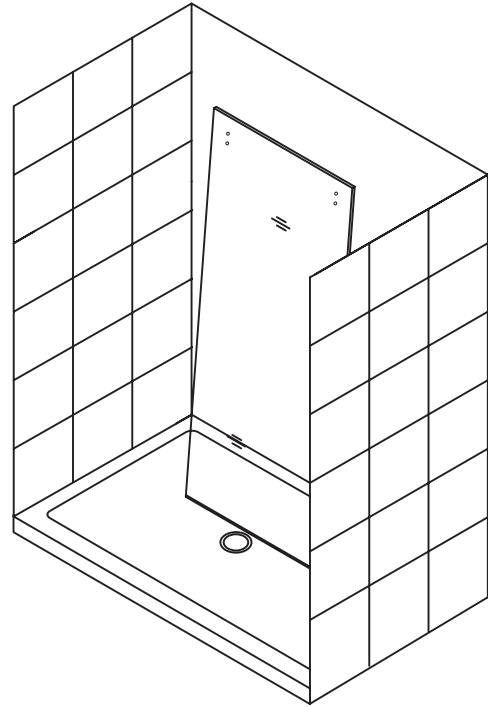
### SPECIFICATIONS



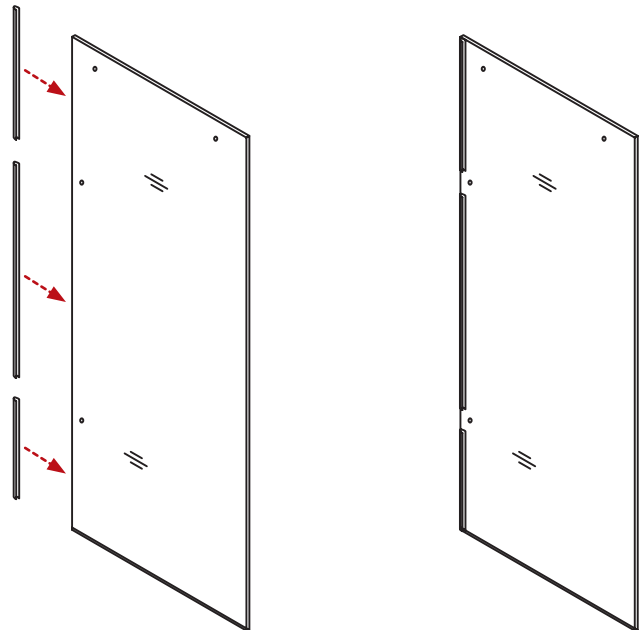
Measurements may vary  $\pm 5$ mm  
- Diagram NOT to scale -

### INSTALLATION GUIDE

- 01** Place the sliding door panel inside the shower base to simplify following installation procedures. Ensure placing the panel onto a cushioned surface, such as a towel or card board, to prevent damage either to the panel or the shower base.

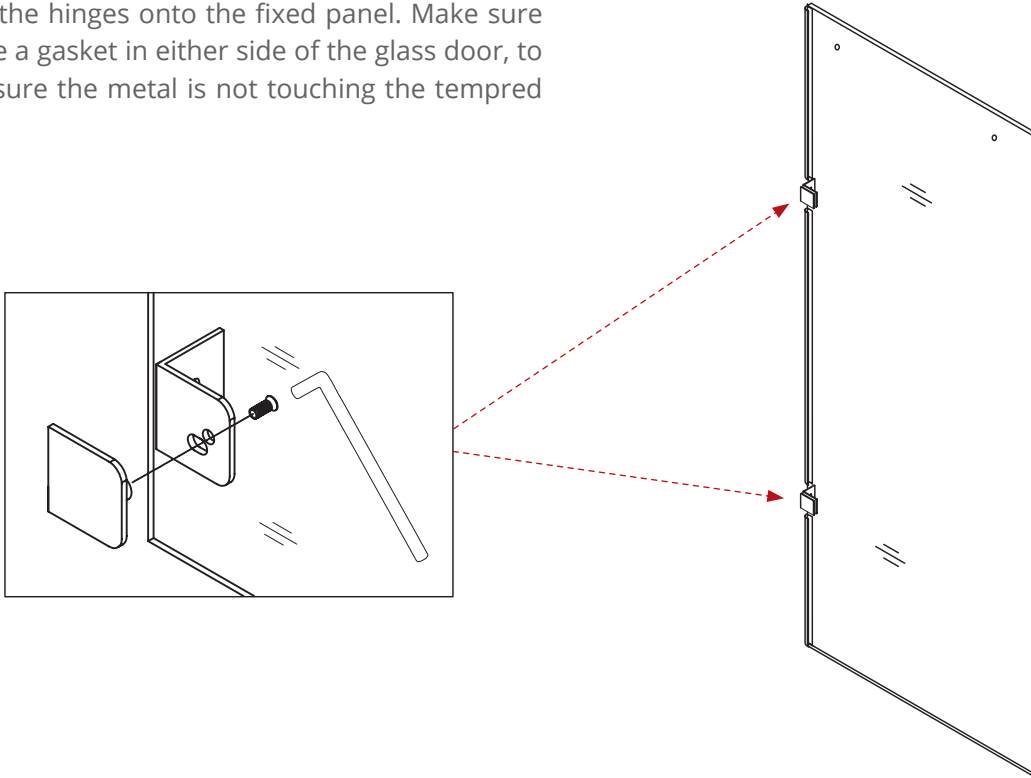


- 02** Thoroughly clean the edge of the fixed panel. Install the U-Gasket on the fixed panel.

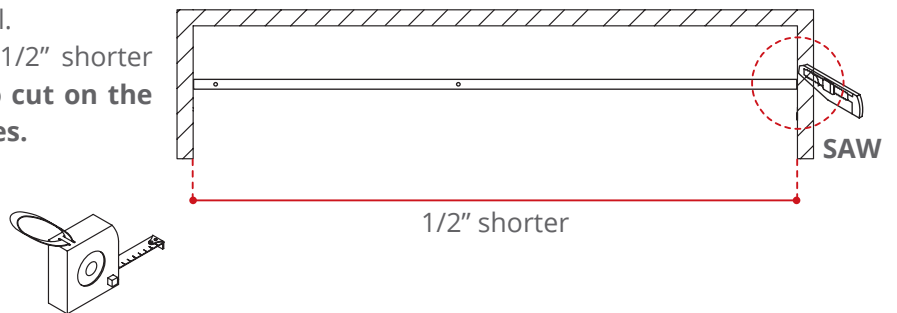


## INSTALLATION GUIDE

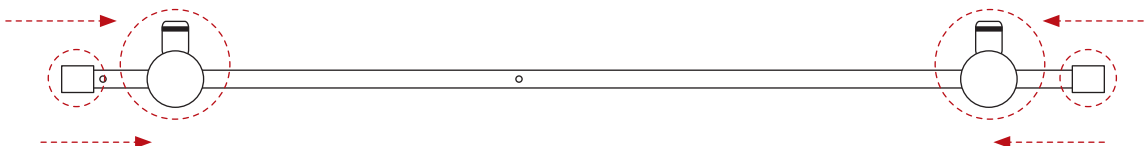
- 03** Install the hinges onto the fixed panel. Make sure to have a gasket in either side of the glass door, to make sure the metal is not touching the tempered glass.



- 04.A** **Running Rail**  
 Measure the distance from wall to wall. The Running Rail needs to be cut a 1/2" shorter of the overall opening. **Make sure to cut on the opposite side of the fixed panel holes.**

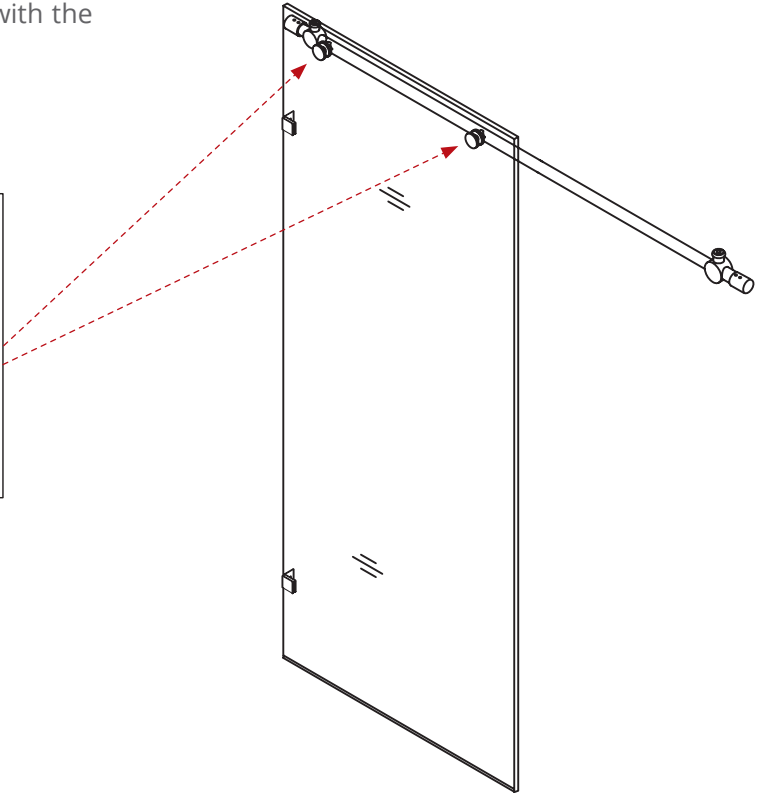
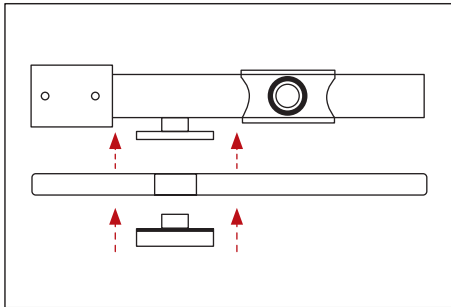


- 04.B** Position the stoppers and the wall brackets on the running rail as illustrated. Secure them temporarily in place

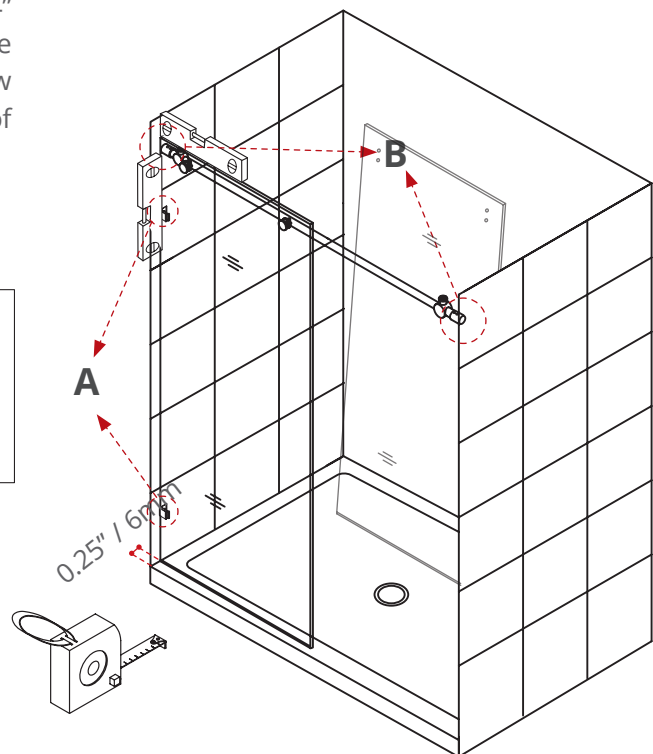
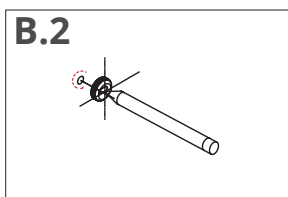
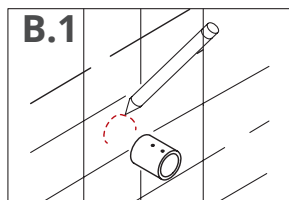
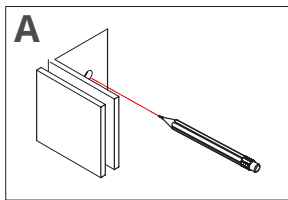


## INSTALLATION GUIDE

- 5** Fasten the running rail to the fixed panel with the glass holders.



- 6** Position the fixed panel on threshold, set back 1/4" back from the front of the threshold base. Ensure that the fixed panel is level. Mark the hinges screw location & Mark the screw position on both sides of the wall brackets.

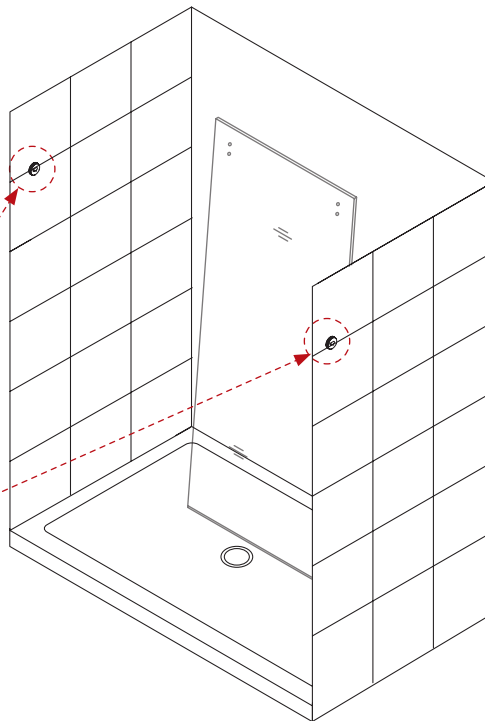
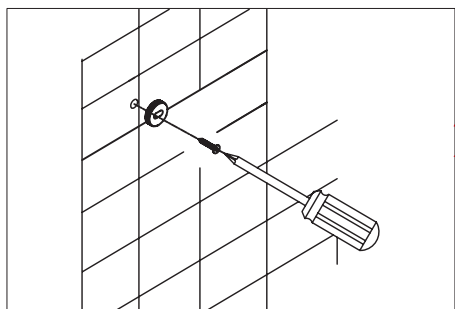
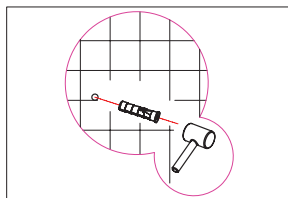
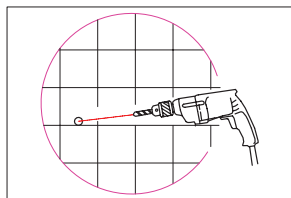




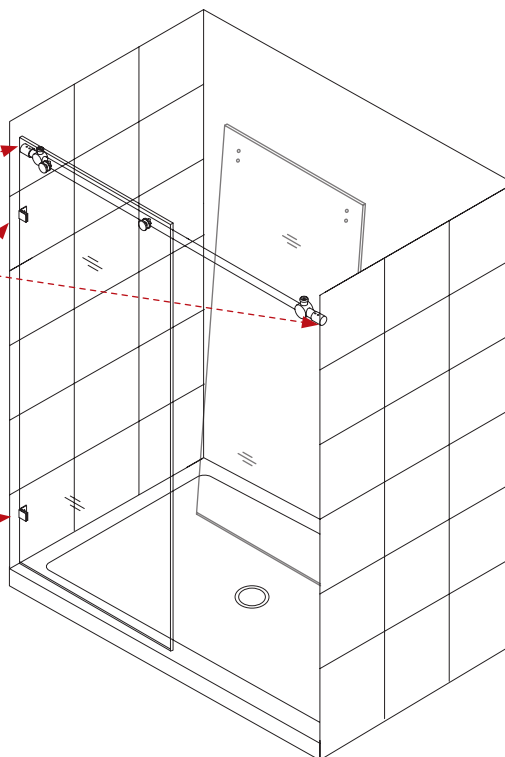
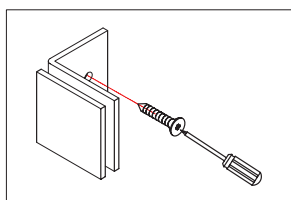
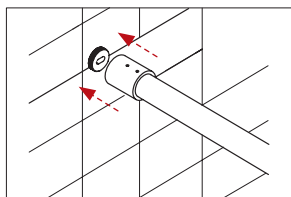
## INSTALLATION GUIDE

- 7** Remove the fixed panel. Drill the screw holes. Tighten the wall anchor.

Install wall bracket sleeves on both sides.



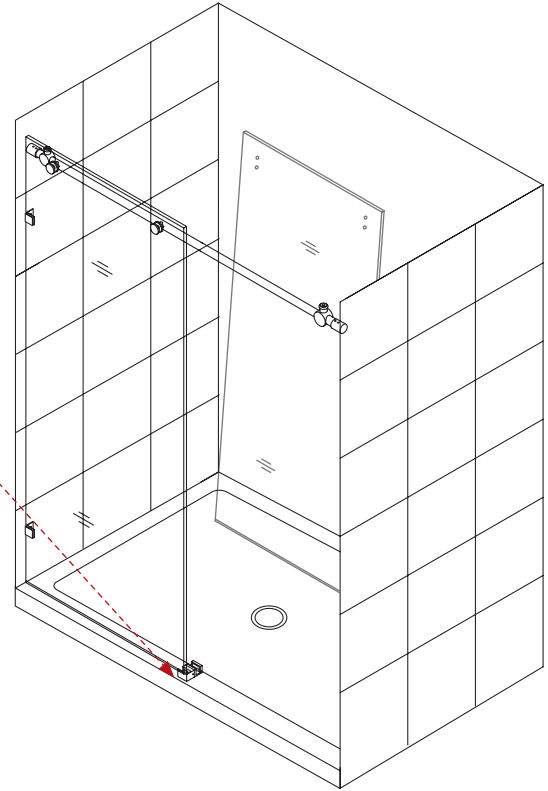
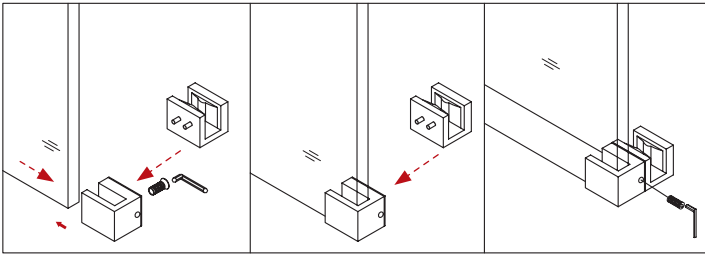
- 8** Install the fixed panel into place.



## INSTALLATION GUIDE

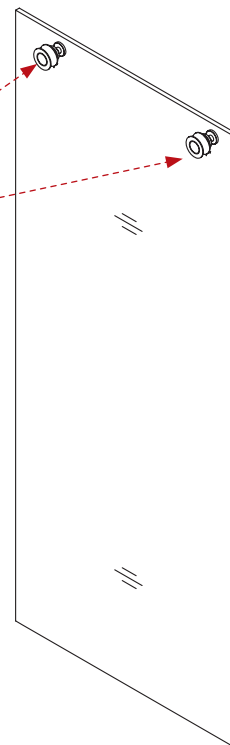
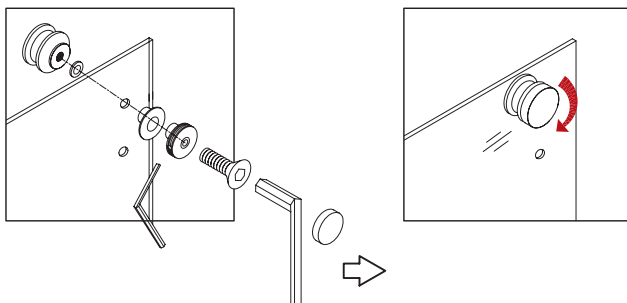
### 9 Guide Block Installation

Apply silicone to the bottom of the Guide Block. Assemble the Guide Block on the shower base threshold and adjust into a precise position.



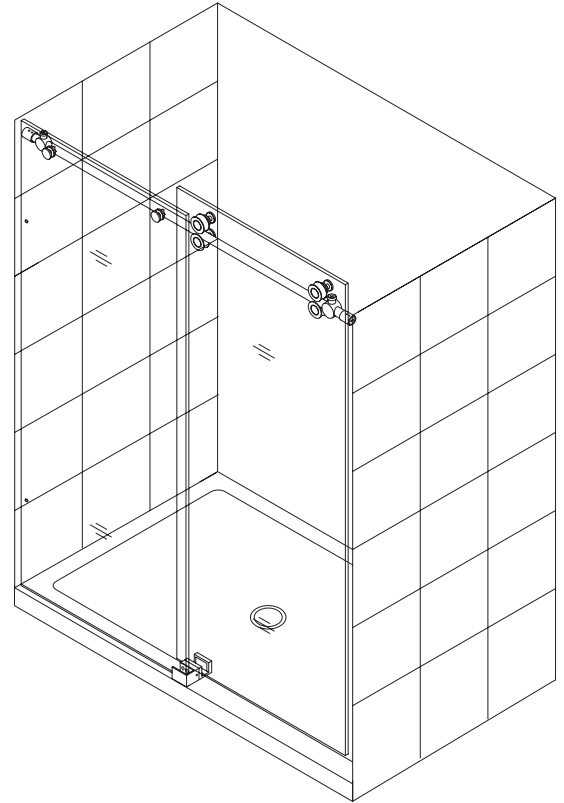
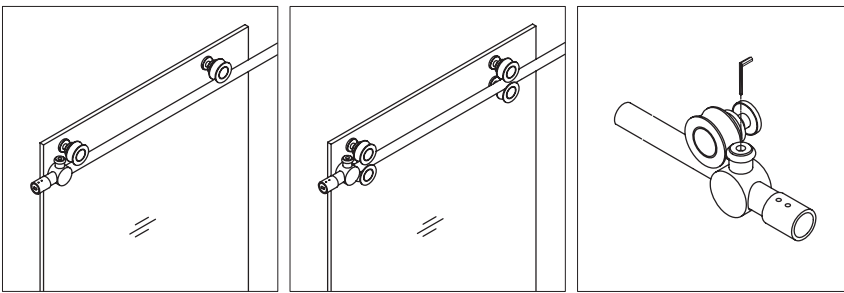
### 10 Twin Roller Installation

Assemble the top Twin Rollers to the sliding panel as shown.

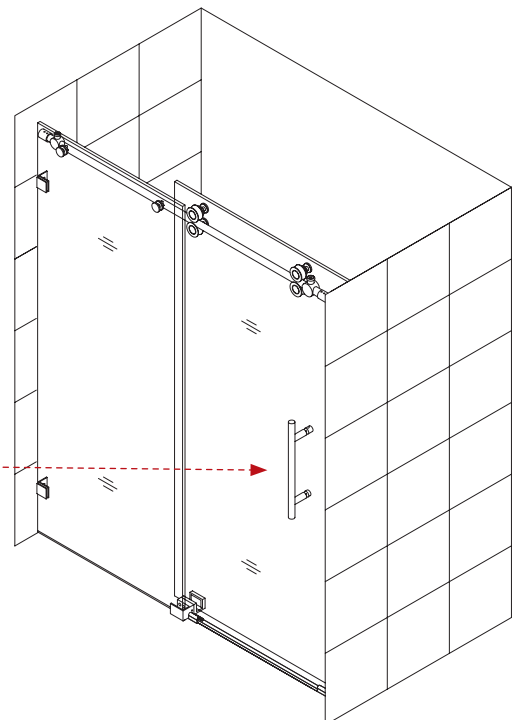
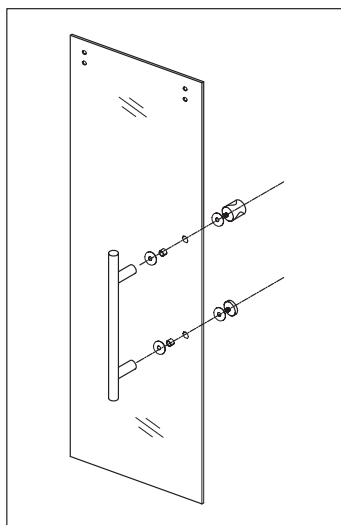


### INSTALLATION GUIDE

- 11** Install sliding door ensuring that the top rollers are fixed over the running rail. Ensure that sliding door is placed within the Guide Block. Install bottom rollers, making sure that they are tangent to the running rail. Adjust stopper closing door and move the stopper on the position to stop the wheels moved, then tighten with screws.



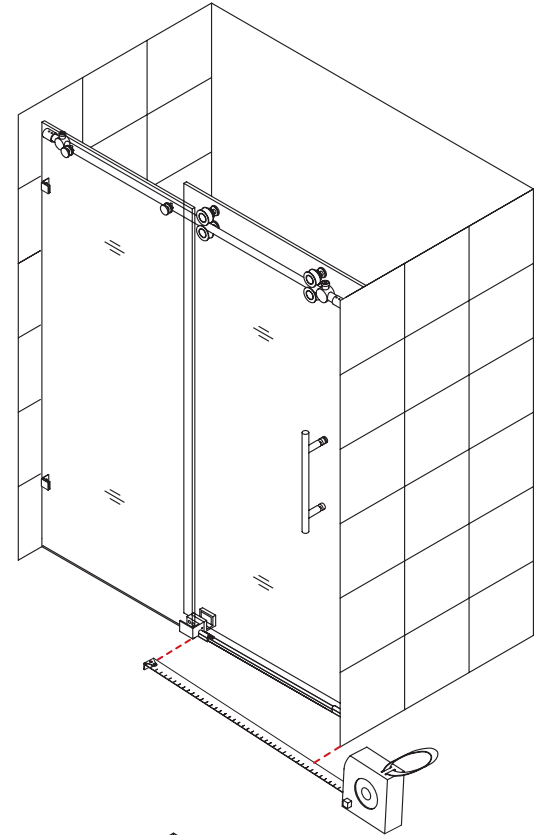
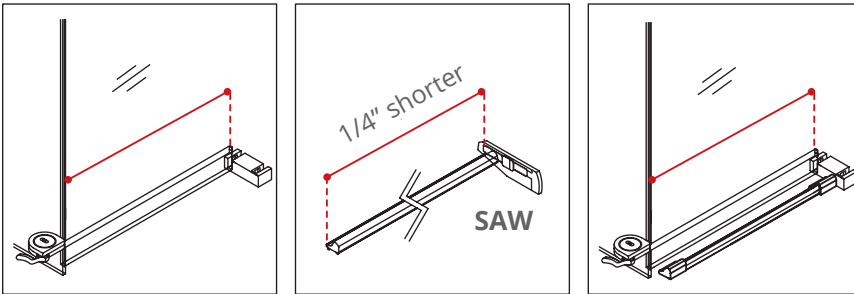
- 12** **Handle Installation.** Make sure to have a gasket in either side of the glass door, to make sure the metal is not touching the tempered glass.



## INSTALLATION GUIDE

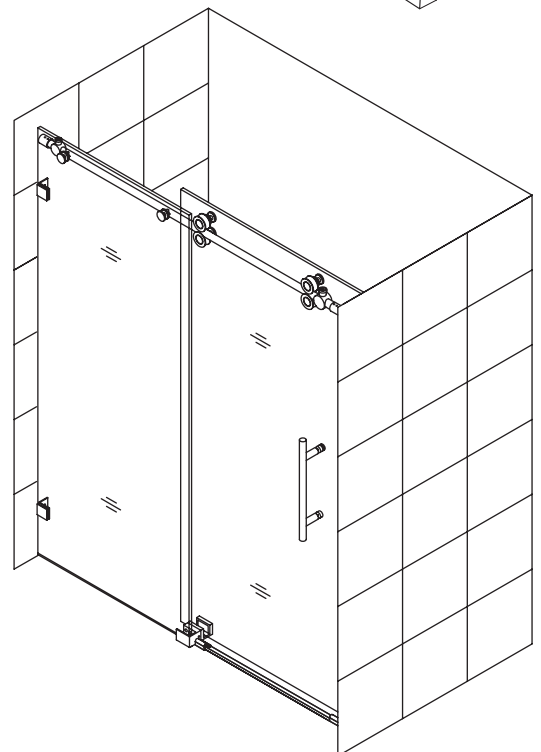
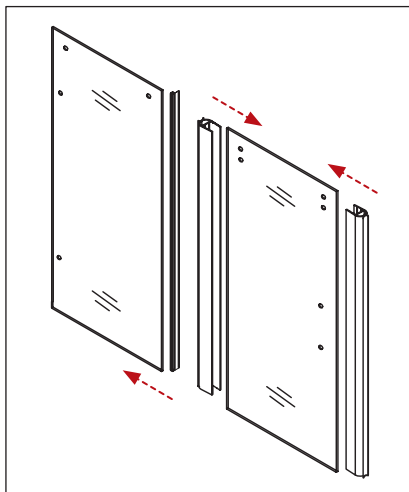
### 13 Bottom strip installation.

Measure the distance from Guide Block to wall, the bottom strip needs to be 1/4" shorter from the distance of the Guide Block to the wall. Install the bottom strip into place.



### 14 U-Gasket installation.

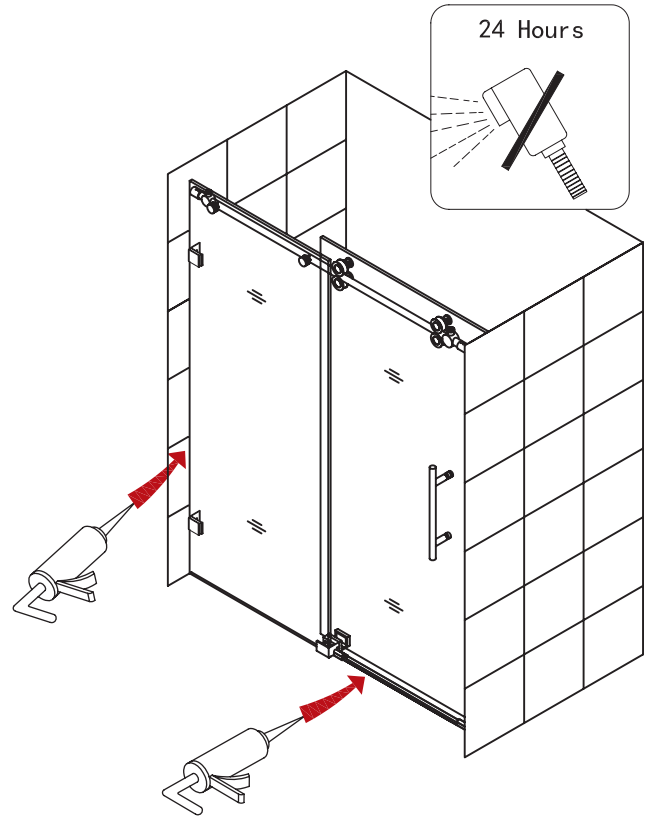
Thoroughly clean the edges of the fixed panel and the sliding door panel. Install the Anti-water strip (F-shape) onto the vertical edge of the fixed panel and the U-Gaskets on the sliding door panel.



## INSTALLATION GUIDE

- 15** Apply silicone between the bottom of the fixed panel and the threshold of the base. Silicone application along the length of the threshold is also suggested. In both cases, it is done from the outside of the shower area.

**PLEASE ALLOW 24 HOURS FOR THE SILICONE TO FULLY CURE BEFORE USING THE SHOWER.**



## CARE AND MAINTENANCE



- **Avoid** polishing powder, cleaning powder and any kind of detergent.
- To clean your Valley Shower Door , wash with a wet nonabrasive soapy cloth. Then wipe dry with a soft towel or cloth. We recommend this be done on a regular basis.



**VALLEY**

*...you dream it, we create it*

***Congratulations! You are now a part of the Valley Acrylic family.***

---

[www.valleyacrylic.com](http://www.valleyacrylic.com)