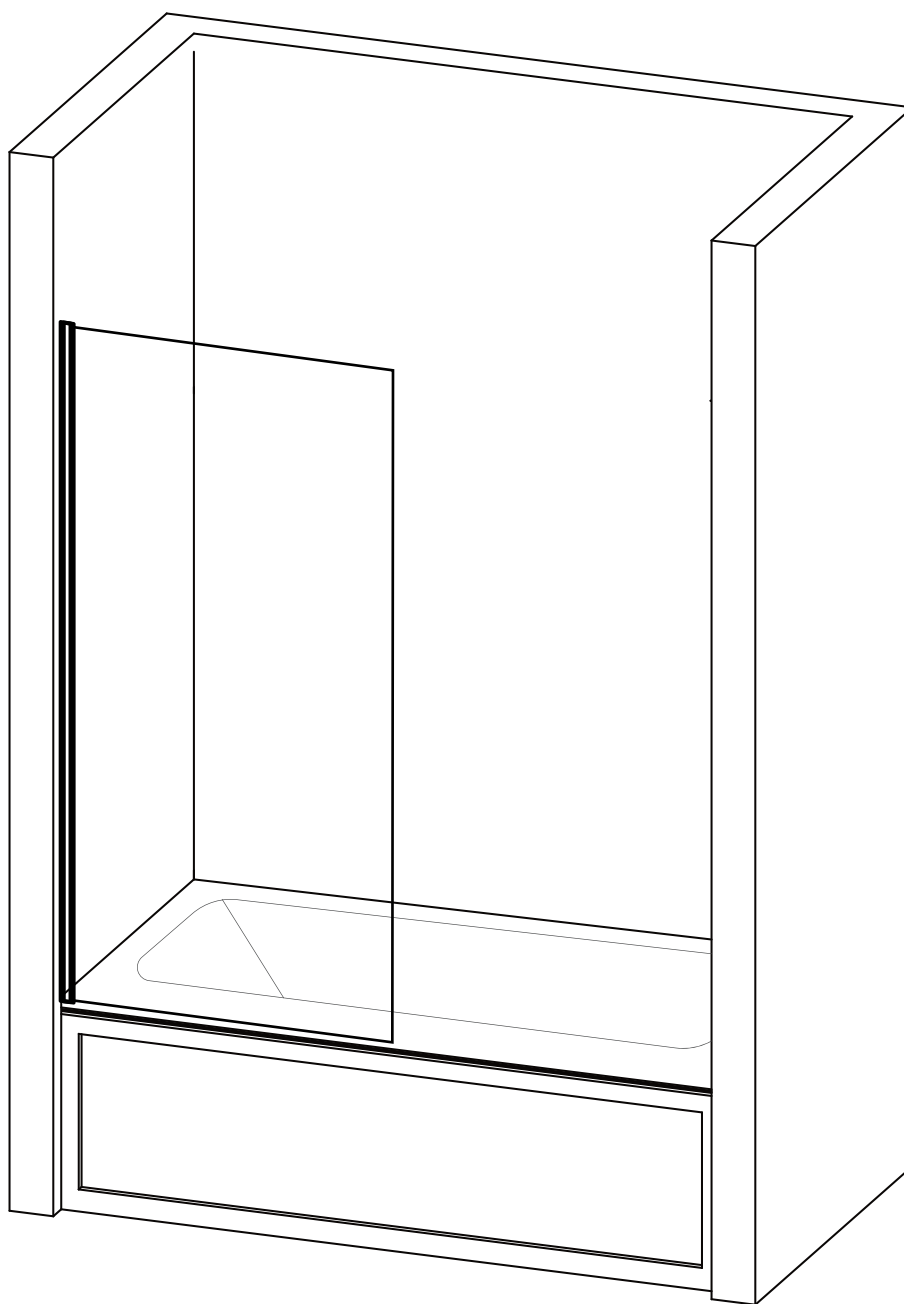


### INSTALLATION GUIDE

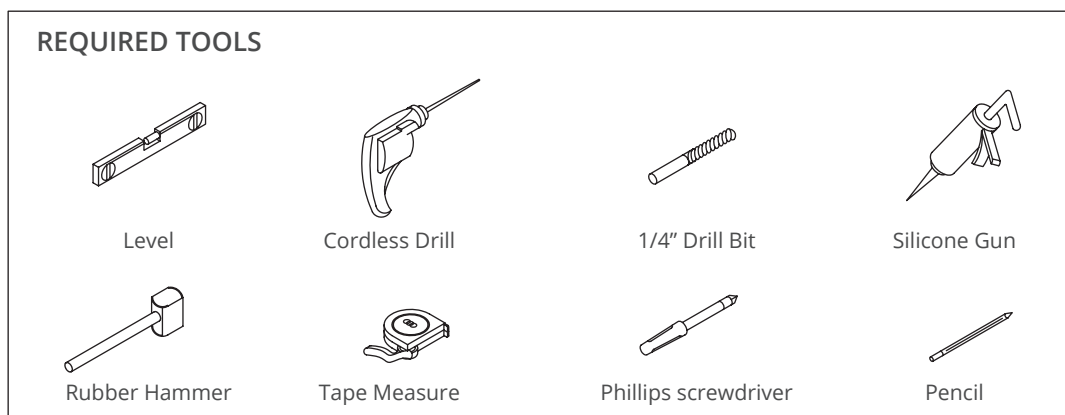


## INSTALLATION GUIDE

Thank you for choosing Valley Products. This installation manual provides general information on the installation of our products.









### BEFORE YOU BEGIN

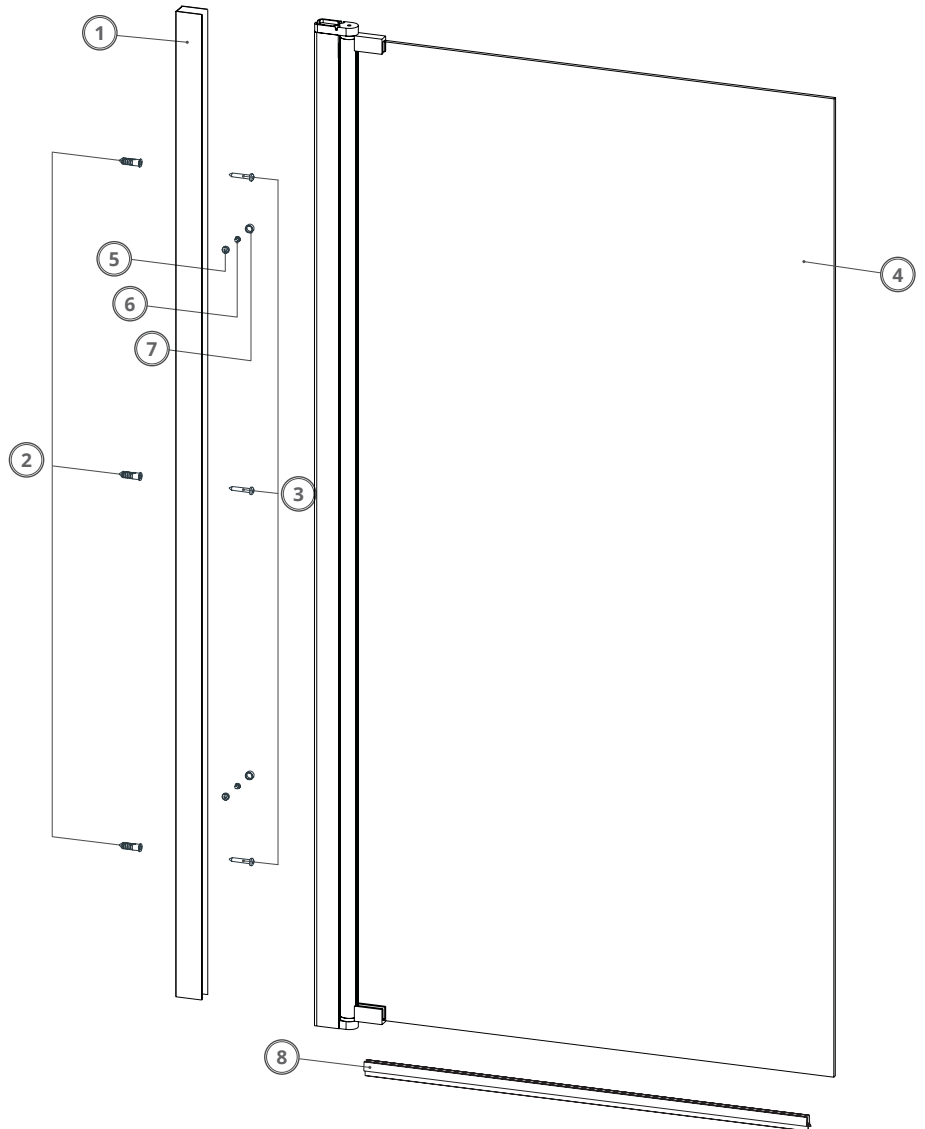
- Prior to installation, examine all boxes and packages for shipping damage and compare the piece count with your packing slip. After opening all boxes and packages read this instruction carefully. Check that all of the needed parts are included in the package by checking off the components on the "Detailed Diagram of Shower Enclosure Components". If the unit has been damaged, has a finishing defect, or has missing parts, Please contact us for replacements within 3 business days. Please note that we will not replace any damaged product or missing parts free of charge after 3 business days or if the product has been installed.
- Prior to installation, please ensure that the surface is level and solid and will be able to support the total weight of the unit. Also make sure that the walls are plumb. Depending on the type of unit you are installing, some adjustments in leveling may be possible. However, irregular installation surface level or out-of-square conditions can result in serious problems for your installation. Please note that some adjustments and drilling may be necessary. Please protect all primary surfaces of the product during installation.
- **NOTE:** This door is reversible for right or left-hand door installation. The right-hand door installation is shown as an example throughout this manual. For left-hand door installation, simply begin on the opposite wall and reverse the orientation of the steps shown.



## INSTALLATION GUIDE

### DETAILED DIAGRAM OF SHOWER ENCLOSURE COMPONENTS

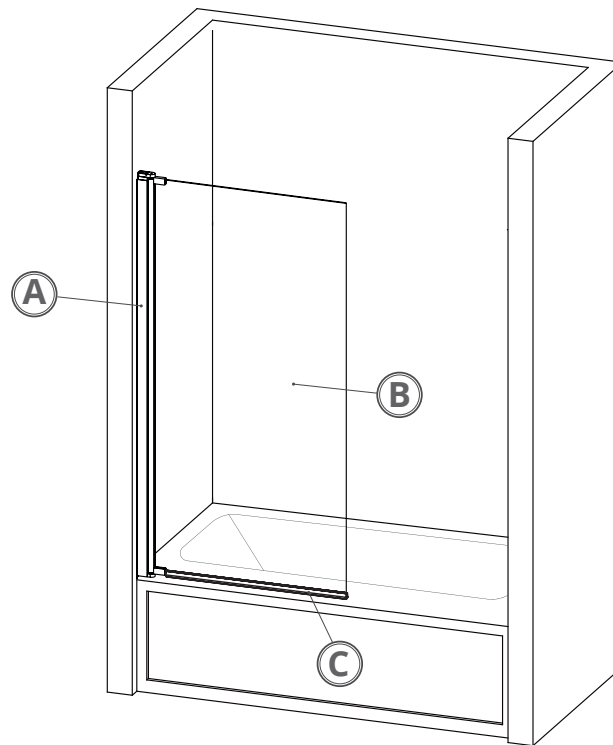
NO.	NAME	PICTURE	QTY.
1	Wall profile		1
2	Wall plug		3
3	Screw		3
4	Door panel		1
5	Screw clip		2
6	Screw		2
7	Screw cover cap		2
8	Bottom gasket		1



### INSTALLATION GUIDE



#### IMPORTANT INFORMATION



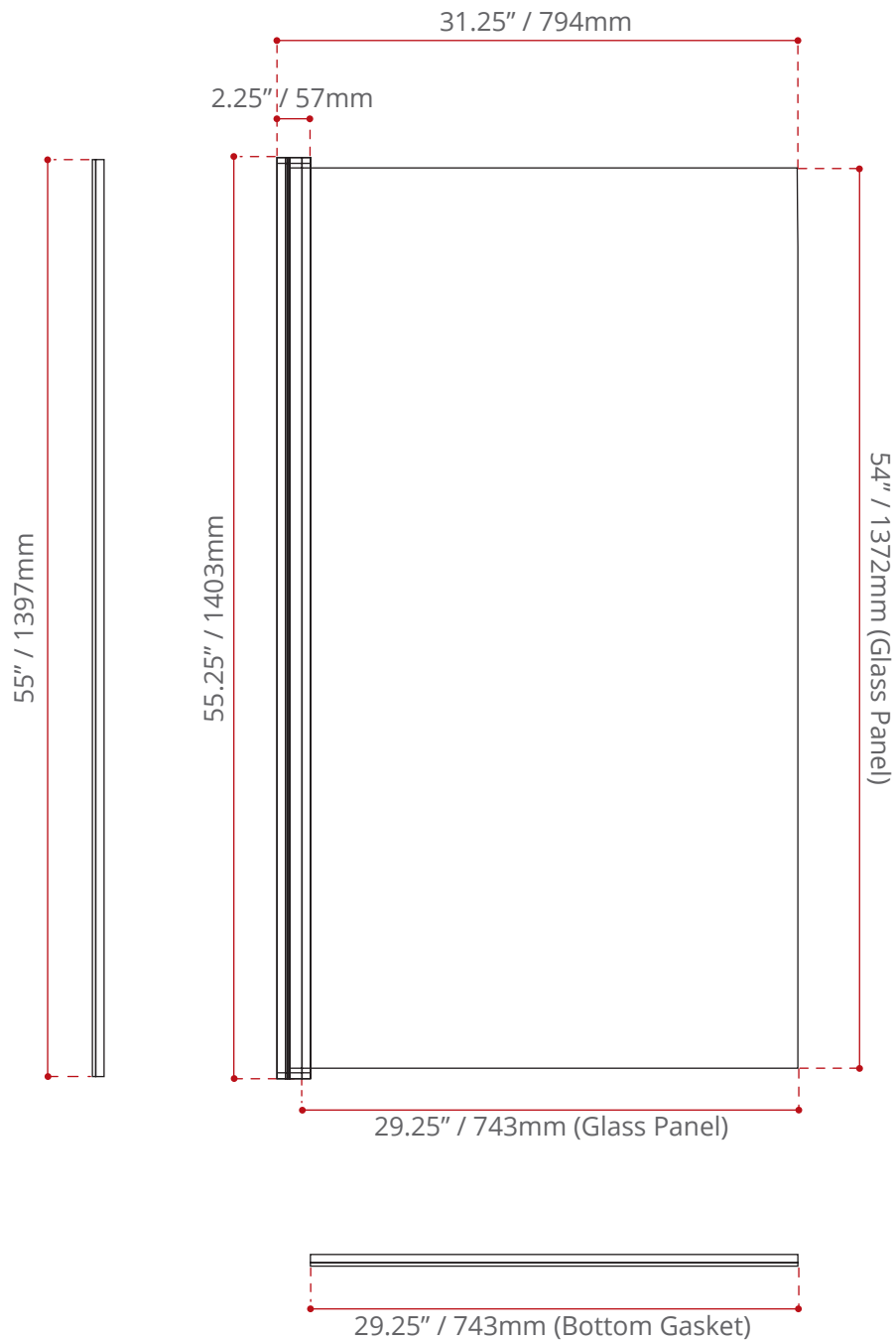
**A. Wall Profile Moulding** must be firmly and vertically attached to the wall. Installation into a stud is strongly recommended.

**B. Door Panel** can be adjusted left and right. But it must be level.

**C. Bottom Gasket** must be installed on the door panel with the right square. Incorrect installation may cause the bottom gasket to not be effective waterproof.

## INSTALLATION GUIDE

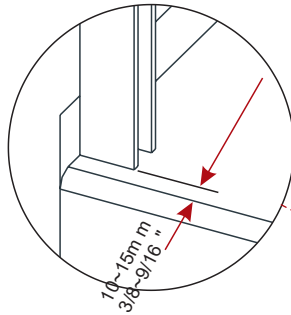
### SPECIFICATIONS



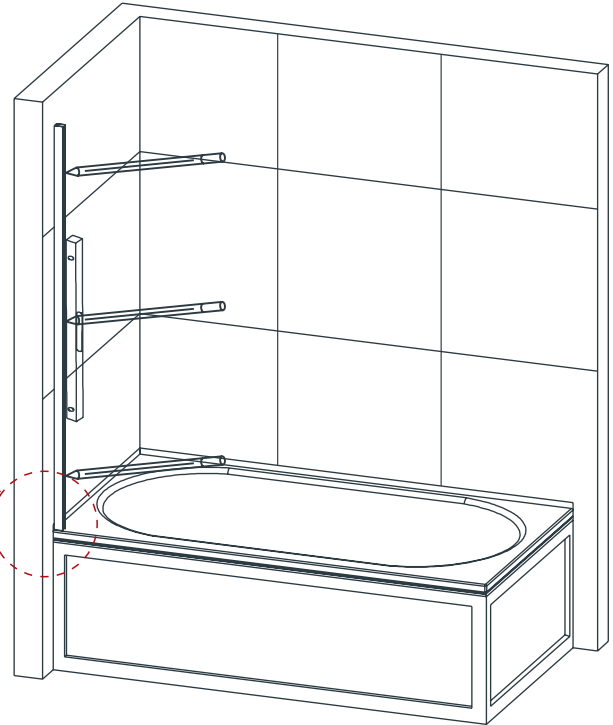
Measurements may vary  $\pm$  5mm  
- Diagram NOT to scale -

### INSTALLATION GUIDE

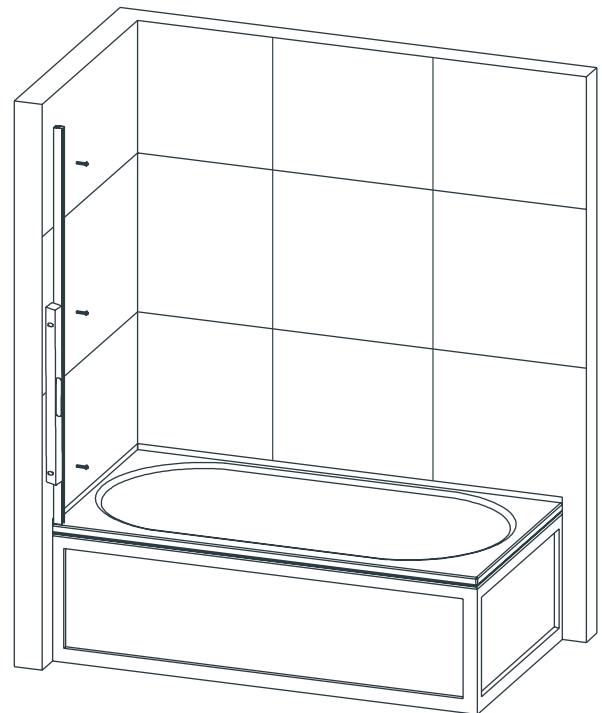
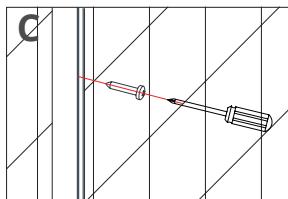
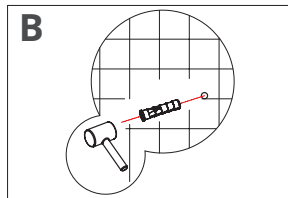
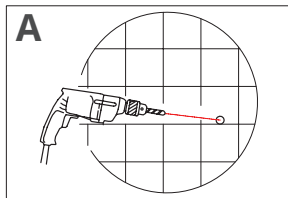
- 01** Place the wall profile moulding over the tub threshold and against the wall. Ensure the moulding sits on flat side of threshold. Mark the screw location & Mark the screw position.



**IF THE ANGLE BETWEEN THE BASE AND THE WALL IS ROUNDED YOU MAY HAVE TO GRIND THE LOWER CORNER OF THE FRAME TO FIT IN THE SHOWER.**

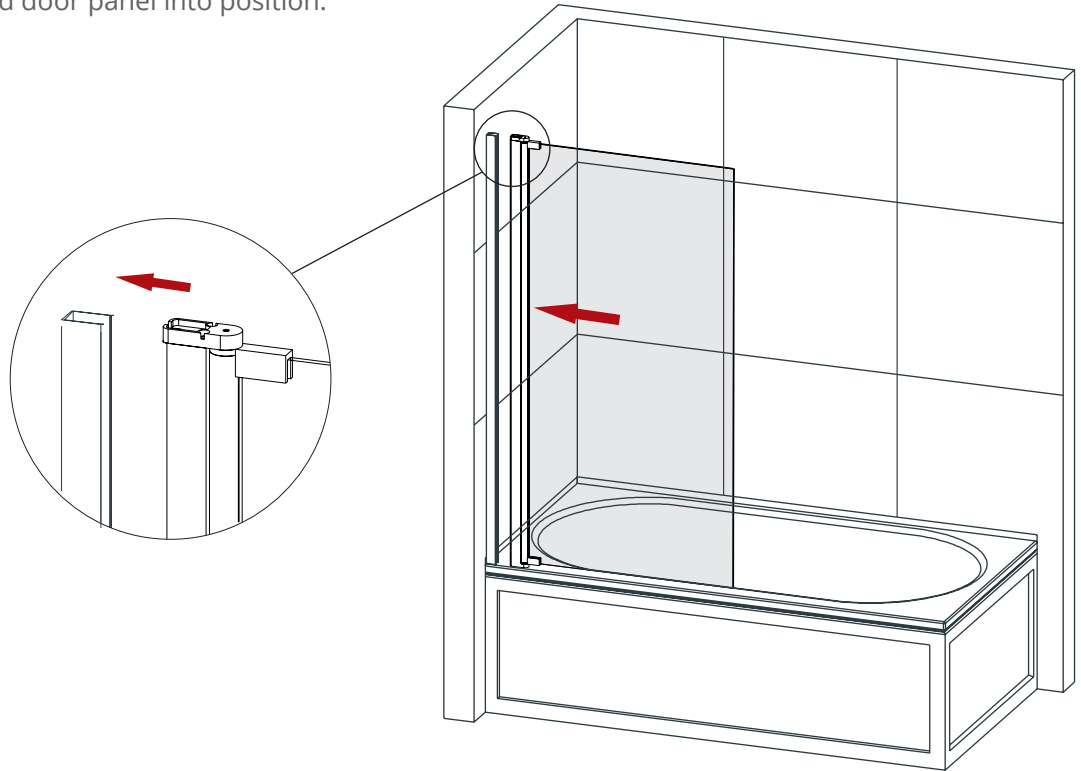


- 02** Remove the wall profile moulding. Drill the screw holes. Tighten the wall anchor. Install the wall profile moulding into place.

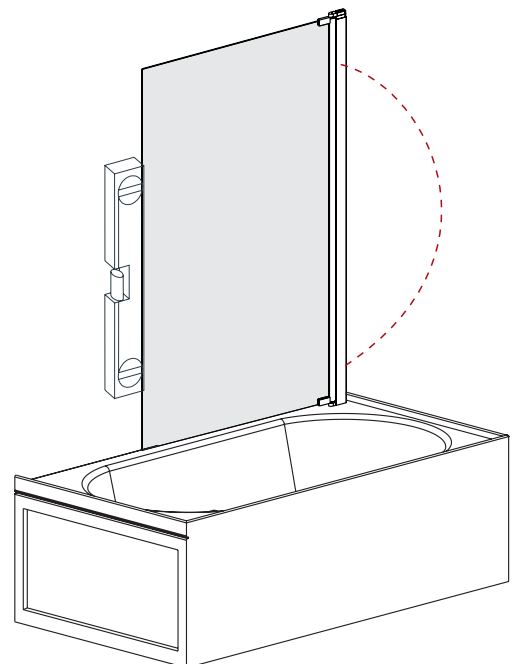
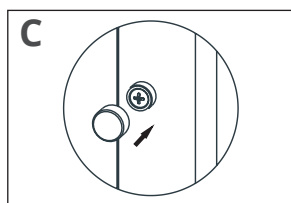
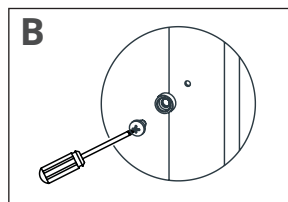
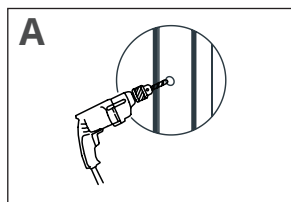


## INSTALLATION GUIDE

**03** Install Pre-assembled door panel into position.

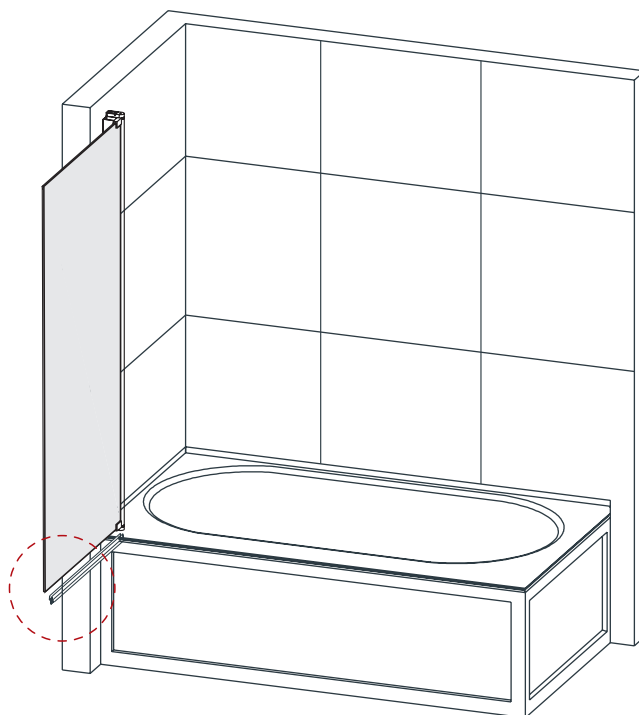
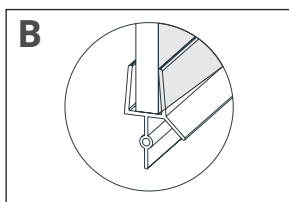
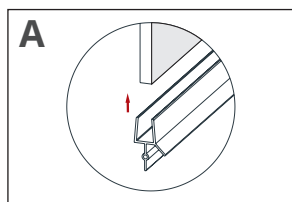


**04** Adjust the position of the frame in the tub making sure is leveled and the panel opens and closes properly.  
Using the pre-drilled holes as guide, drill thru the first surface of the door frame.  
Fasten with the screws and plastic washers provided.  
Install the screw covers over the screws on the the wall profile moulding as shown.



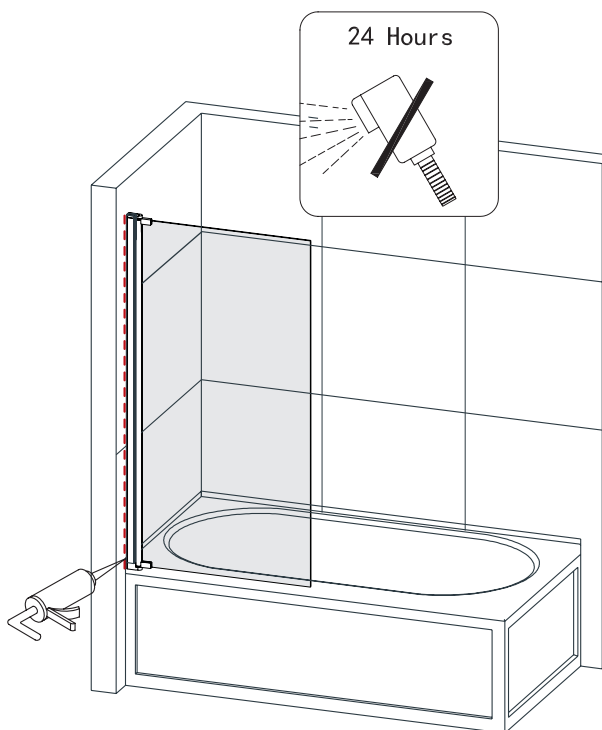
### INSTALLATION GUIDE

- 5** Instal bottom gasket into place.



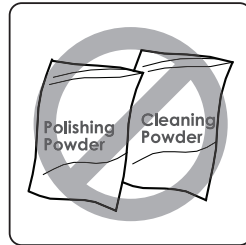
- 6** Apply silicone around the outside of the frame, between the wall and the the wall profile moulding

**PLEASE ALLOW 24 HOURS FOR THE SILICONE TO FULLY CURE BEFORE USING THE SHOWER.**





### CARE AND MAINTENANCE



- **Avoid** polishing powder, cleaning powder and any kind of detergent.
- To clean your Valley Acrylic Shower Door , wash with a wet nonabrasive soapy cloth. Then wipe dry with a soft towel or cloth. We recommend this be done on a regular basis.



**VALLEY**

*...you dream it, we create it*

***Congratulations! You are now a part of the Valley Acrylic family.***

---

[www.valleyacrylic.com](http://www.valleyacrylic.com)