

DESCRIPTION:

- Easy Installation.
- Easy to clean.
- 18 Gauge epoxy coated metal deck flange.
- Cut-out template.
- Designed to be installed in an 8" joist space.
- Can be installed with waterproofing membrane.
- Certified to CSA standards.

SHIPPING DIMENSIONS

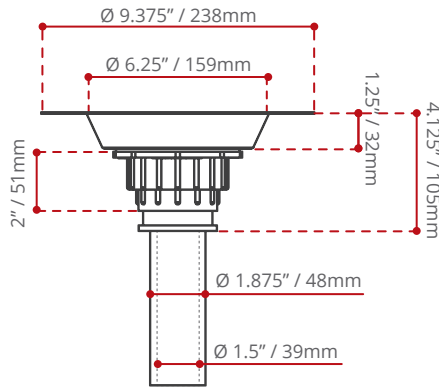
10.25 x 10.25 x 5" / 260 x 260 x 127mm

NET WEIGHT

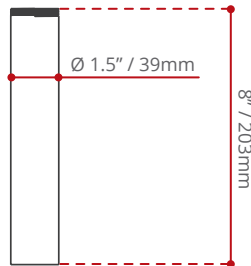
1 kg / 2.2 lbs.

GROSS WEIGHT

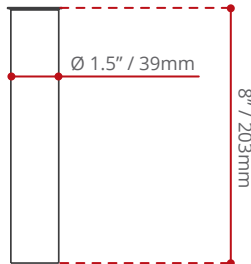
2 kg / 4.4 lbs.



Fine Thread Tailpiece
Direct Drain Bath Wastes.



Flanged Tailpiece
Cable Drive Bath Wastes.



Measurements may vary \pm 5mm
- Diagram NOT to scale -