

**DESCRIPTION:**

- Illuminated Aura Stone.
- Above Counter.
- No Overflow.
- 100% handmade in Canada.
- Up to 15 colour combinations.
- Drain not included.
- Complies with CSA standards.

**SHIPPING DIMENSIONS**

15 x 15 x 13" / 381 x 381 x 330mm

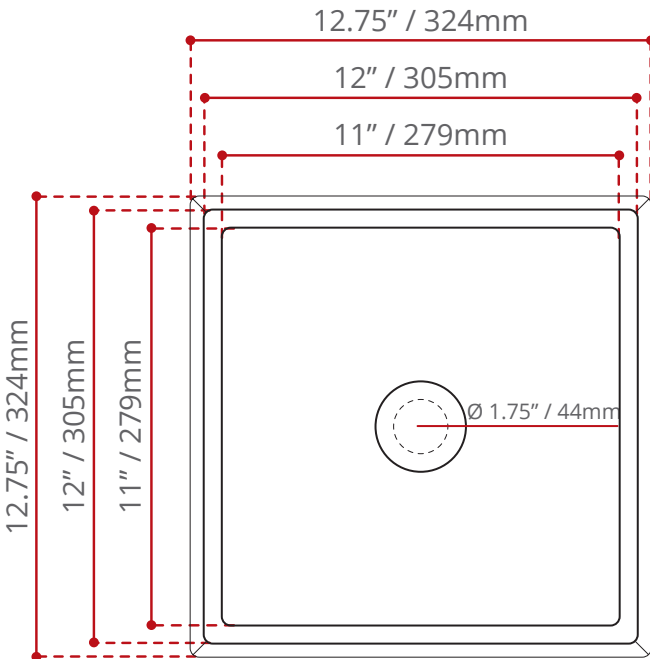
**NET WEIGHT**

4.5 kg / 10 lbs

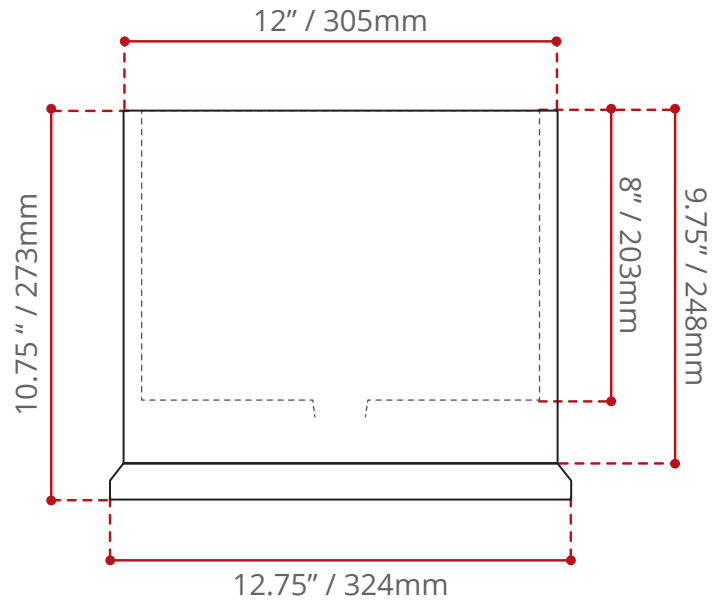
**GROSS WEIGHT**

6 kg / 13 lbs

TOP VIEW



SIDE VIEW



Measurements may vary ±5mm  
- Diagram NOT to scale -

