



### DESCRIPTION:

- Contemporary style.
- High gloss / Crack-resistant acrylic.
- Complies with CSA & IAPMO standards.

### AVAILABLE OPTIONS:

- Exterior colours.

### WATER DEPTH

16" / 405mm

### CAPACITY

68.6 gal.  
260 litres of water

### SHIPPING DIMENSIONS

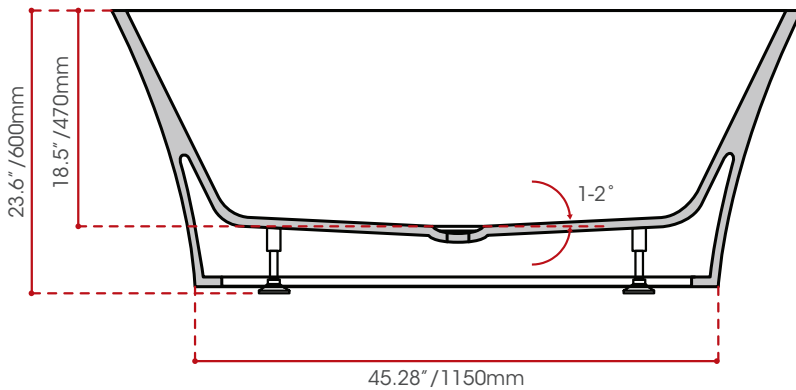
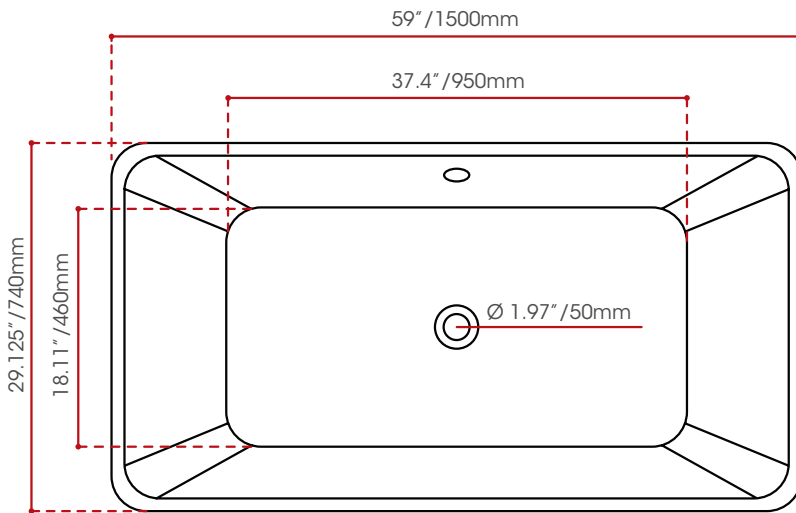
61 x 32 x 25" / 1549 x 813 x 635mm

### NET WEIGHT

40 kg / 88 lbs

### GROSS WEIGHT

49 kg / 108 lbs



Measurements may vary  $\pm$  5mm  
- Diagram NOT to scale -