



DESCRIPTION:

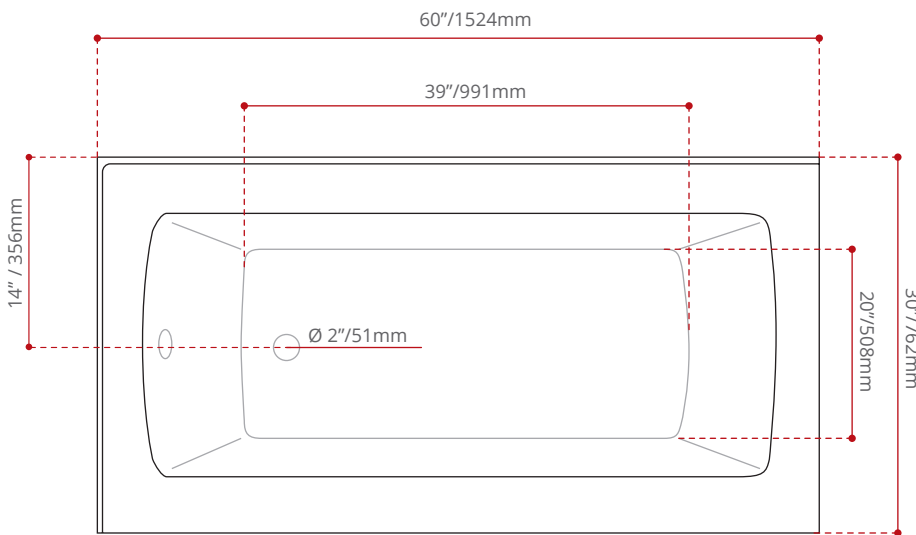
- Contemporary Style
- Left or Right Drain.
- High gloss / Crack-resistant acrylic.
- Made in Canada.
- Complies with CSA & IAPMO standards.

AVAILABLE OPTIONS:

- Double tilling flange.
- Textured Bottom

JETTING OPTIONS:

- Lateral Air jets.
- Air illusion jets.
- Filler air jets.
- Square zen jets.
- Neck-Jet massage system.
- Whirlpool jets.
- V-Masseuse.
- Chromatherapy.
- Aromatherapy.
- Comfort Warm



WATER DEPTH

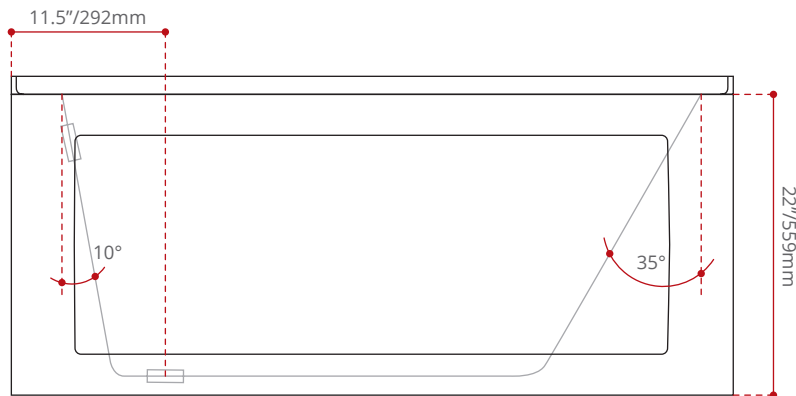
13.25"/337mm

CAPACITY

59 gal.
224 litres of water

SHIPPING DIMENSIONS

62 x 32 x 24" / 1575 x 813 x 610mm



NET WEIGHT

33 kg / 73 lbs

GROSS WEIGHT

36 kg / 80 lbs

Measurements may vary ± 5mm
- Diagram NOT to scale -

