



**DESCRIPTION:**

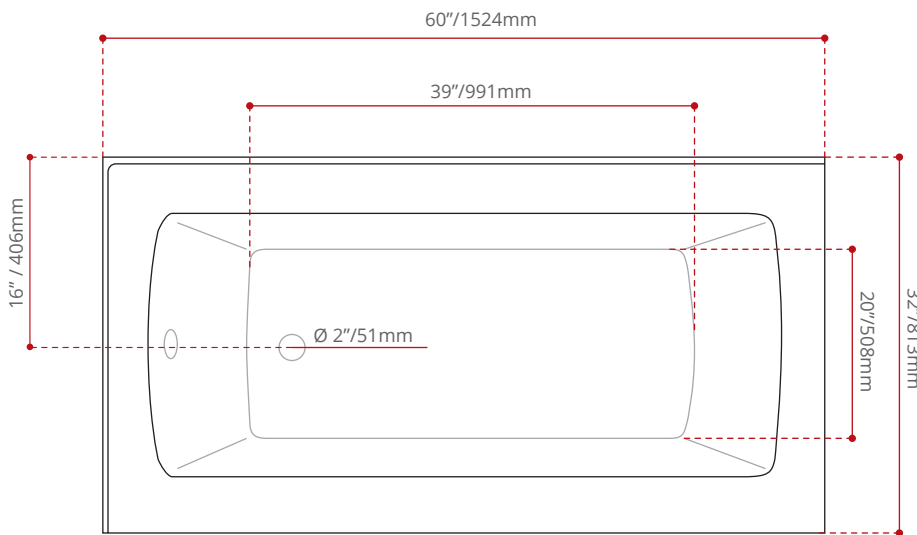
- Contemporary Style
- Left or Right Drain.
- High gloss / Crack-resistant acrylic.
- Made in Canada.
- Complies with CSA & IAPMO standards.

**AVAILABLE OPTIONS:**

- Double tilling flange.
- Textured Bottom

**JETTING OPTIONS:**

- Lateral Air jets.
- Air illusion jets.
- Filler air jets.
- Square zen jets.
- Neck-Jet massage system.
- Whirlpool jets.
- V-Masseuse.
- Chromatherapy.
- Aromatherapy.
- Comfort Warm



**WATER DEPTH**

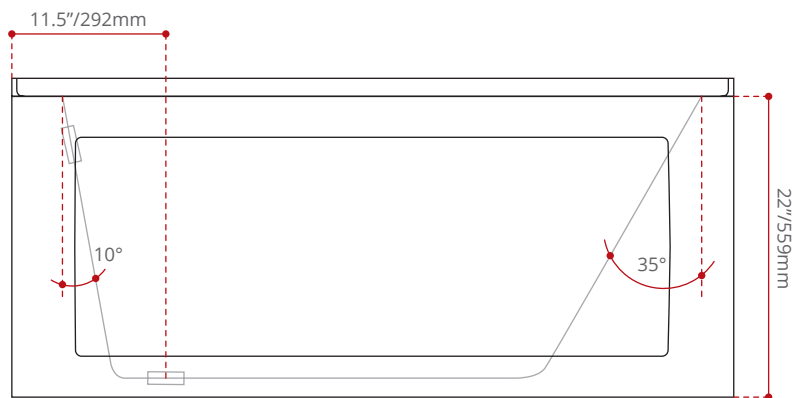
13.25"/337mm

**CAPACITY**

59 gal.  
224 litres of water

**SHIPPING DIMENSIONS**

62 x 34 x 26" / 1575 x 864 x 660mm



**NET WEIGHT**

33 kg / 73 lbs

**GROSS WEIGHT**

36 kg / 80 lbs

Measurements may vary ±5mm  
- Diagram NOT to scale -

