



DESCRIPTION:



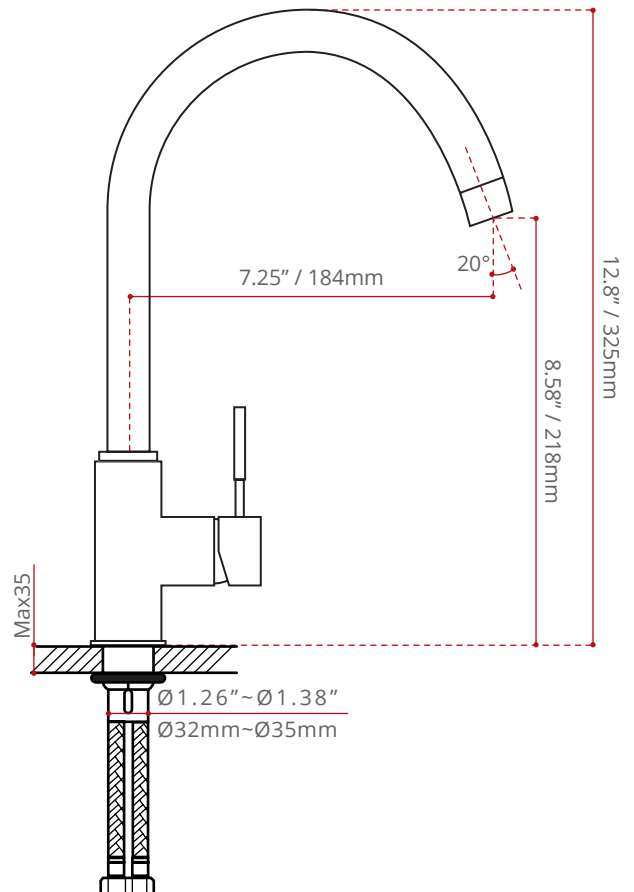
- ADA Compliant.
- Brass body.
- Chrome finish.
- Easy to clean and maintain.
- High quality drip-free ceramic cartridge.
- Single lever, water & temperature control.
- Resist discoloration and corrosion.
- Complies with CSA & IAPMO standards.

FLOW RATE:

4.5 LPM

SHIPPING INFORMATION:

- Length: 16.5" / 419mm
- Net Weight: 1 kg / 2.2 lbs.
- Width: 9.5" / 241mm
- Gross Weight: 1.5 kg / 3.3 lbs.
- Height: 3.25" / 83mm



DISCLAIMER:
Measurements may vary $\pm \frac{1}{4}$ "
(Diagram Not to scale)