



DESCRIPTION:

- 4.84 LPF
- Two-piece single flush toilet.
- MaP flush performance: 1000/GPF.
- Gravity flushing action.
- Glazed Ø 2 1/8" trapway.
- Solid waste removed in a single flush.
- Left or Right hand handle option.
- 12" Rough-in.
- 3" Flush valve.
- Soft closing seat included.
- Complies with CSA standards.

SHIPPING DIMENSIONS

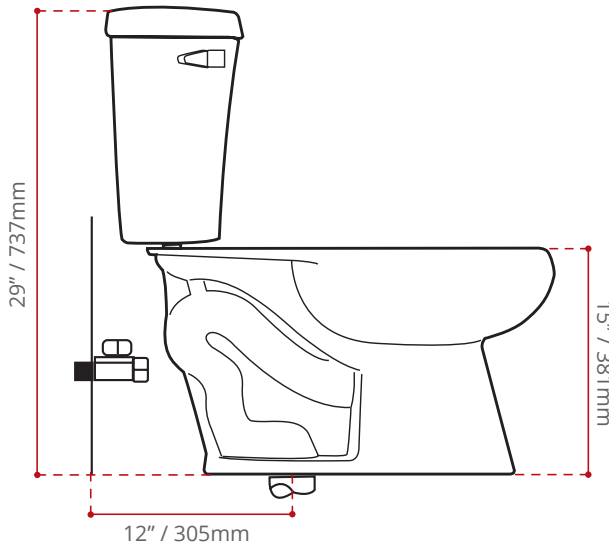
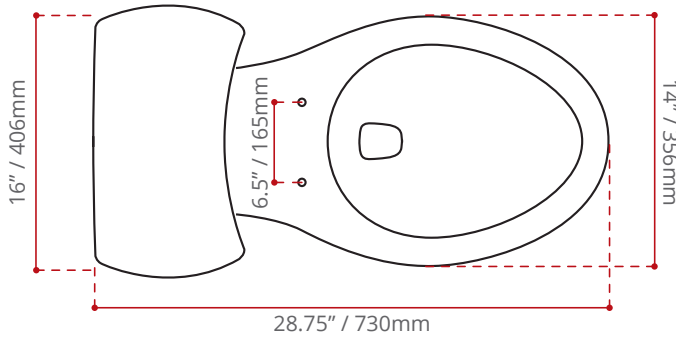
18 x 31 x 31" / 457 x 787 x 787mm

NET WEIGHT

39 KG / 87 lbs

GROSS WEIGHT

40 KG / 88 lbs



Measurements may vary ±5mm
- Diagram NOT to scale -

