



DESCRIPTION:

- Solid brass construction.
- Back-to-Back installation capabilities.
- Square plasterguard allows for right angle cuts.
- Thin wall mounting.
- Test cap included.
- Complies with CSA standards.

PRESSURE:

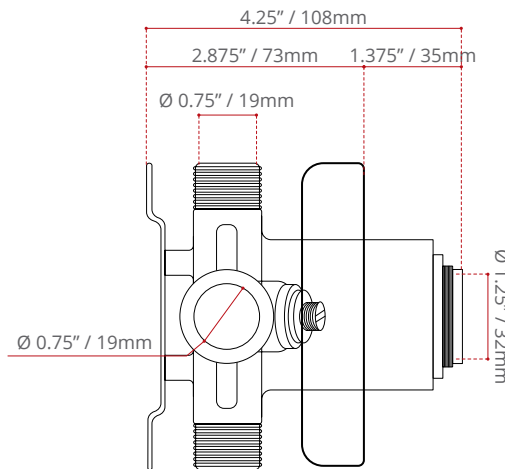
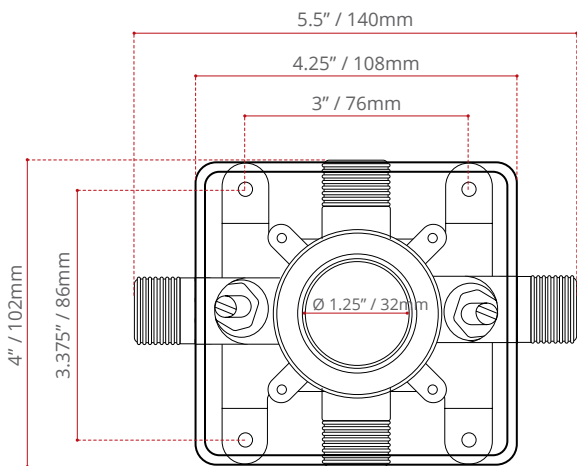
60 PSI

FLOW RATE:

21.5 LPM

SHIPPING INFORMATION:

- Length: 9.45 / 240mm
- Width: 7.1" / 180mm
- Height: 6" / 150mm
- Net Weight: 1.5 kg / 3.3 lbs.
- Gross Weight: 2 kg / 4.4 lbs.



DISCLAIMER:

Measurements may vary $\pm 1/4$ "
(Diagram Not to scale)

CE101 CARTRIDGE

