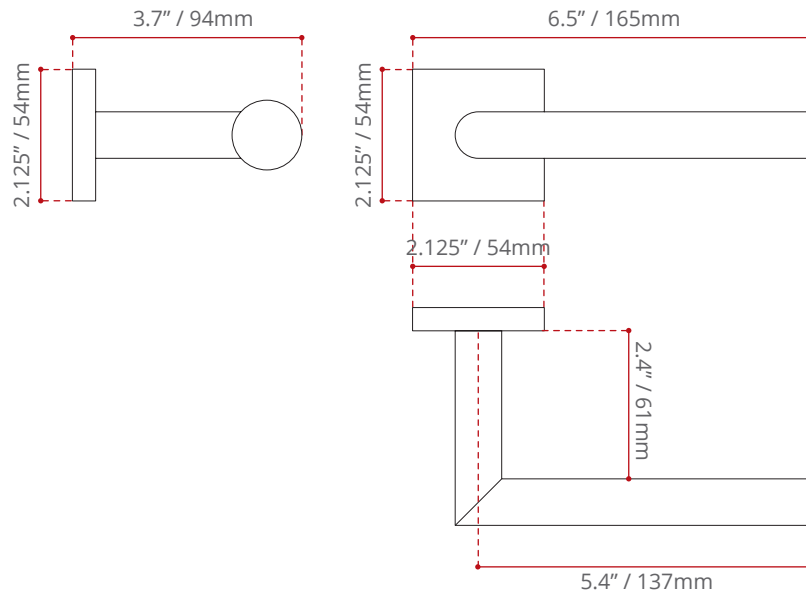


**DESCRIPTION:**

- Paper holder
- Chrome finish
- Solid brass construction
- Corrosion & discolouration resistant
- Complies with CSA & IAPMO standards

**SHIPPING INFORMATION:**

- Length: 7.625" / 194mm
- Net Weight: 0.8 kg / 1.76 lbs.
- Width: 3.75" / 95mm
- Gross Weight: 1 kg / 2.2 lbs.
- Height: 2.5" / 64mm



DISCLAIMER:  
Measurements may vary  $\pm \frac{1}{4}$ "  
(Diagram Not to scale)

