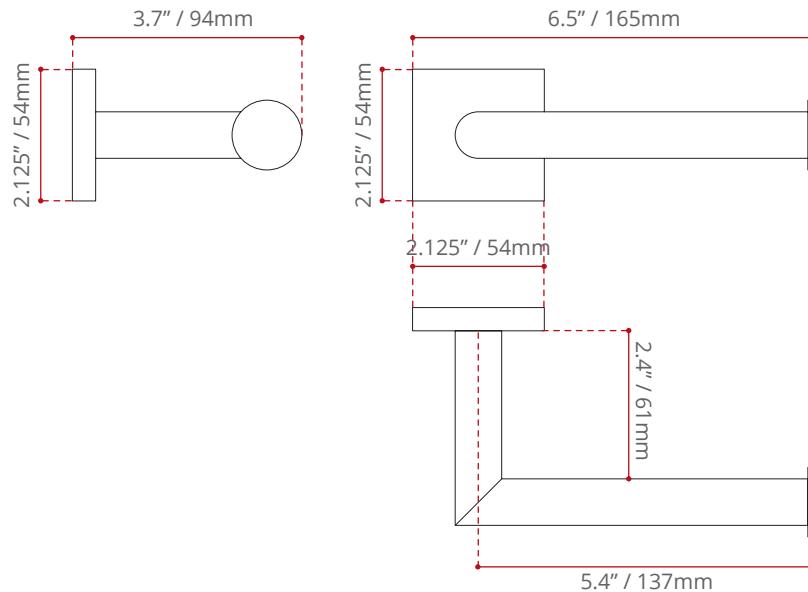


DESCRIPTION:

- Paper holder
- Matte black finish
- Solid brass construction
- Corrosion & discolouration resistant
- Complies with CSA & IAPMO standards

SHIPPING INFORMATION:

- Length: 7.625" / 194mm
- Net Weight: 0.8 kg / 1.76 lbs.
- Width: 3.75" / 95mm
- Gross Weight: 1 kg / 2.2 lbs.
- Height: 2.5" / 64mm



DISCLAIMER:
Measurements may vary $\pm \frac{1}{4}$ "
(Diagram Not to scale)

