

#### DESCRIPTION:

- Square cover.
- Brass body.
- Chrome finish.
- 1/2" NPT Male inlet
- G1/2" Male thread.

#### SHIPPING DIMENSIONS

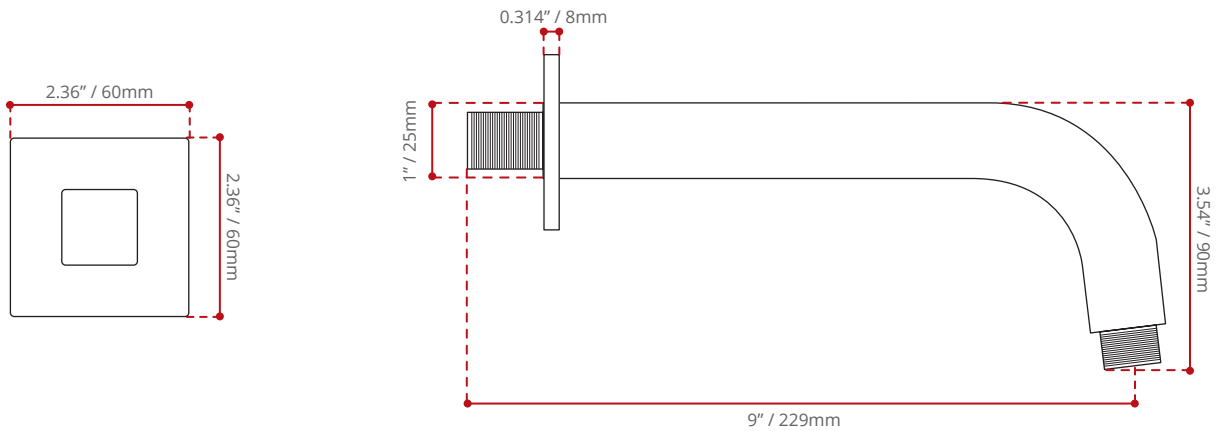
2.75 x 9.75 x 2.75" / 70 x 248 x 70mm

#### NET WEIGHT

0.4 kg / 0.88 lbs.

#### GROSS WEIGHT

0.5 kg / 1.1 lbs.



Measurements may vary  $\pm$  5mm  
- Diagram NOT to scale -