



CONFIGURATION

The VARRSK01 comes with the following products:

- **9203.750.110**
10" Round Rain Shower head
- **120.730.100**
Shower Arm
- **000.697.000**
Universal Rough-in
- **T802.697.100**
Round Trim Kit
- **802.432.100**
Round Bath Spout with Diverter

FINISH



CHROME FINISH

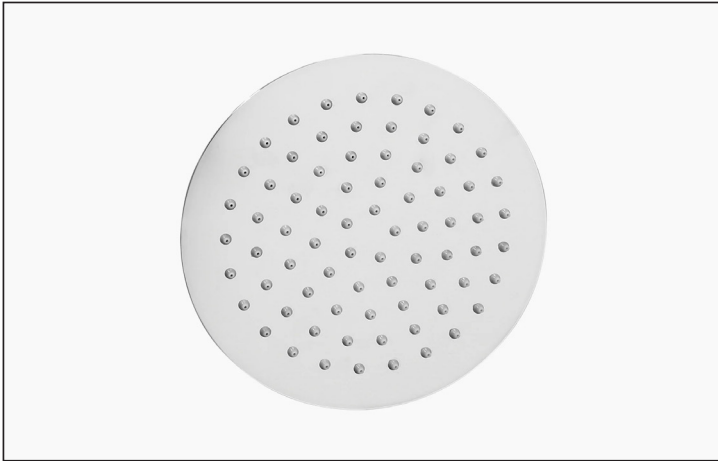
CERTIFICATIONS

CSA B125.1-11
ASME A112.18.1-2011

WARRANTY

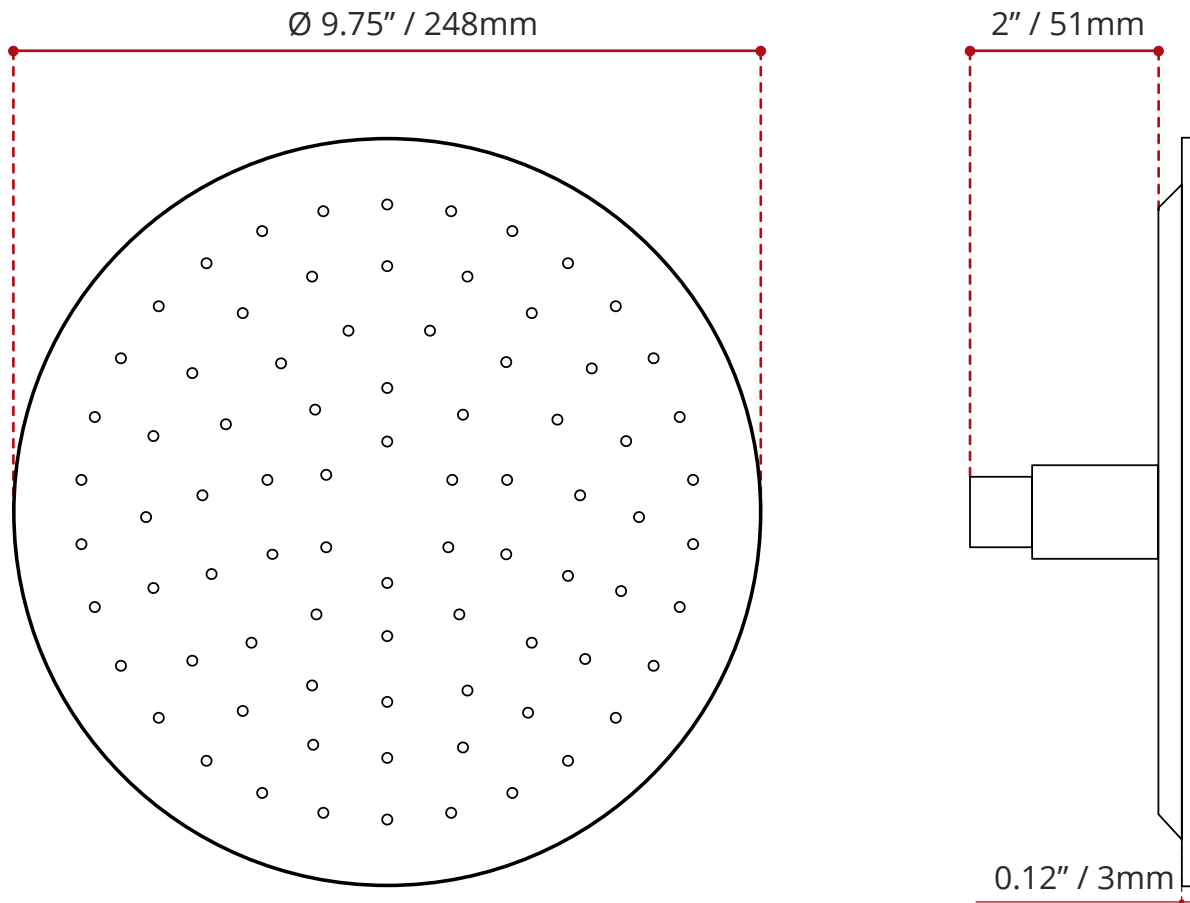
Residential: These products have a limited 1 year warranty period, with the exception of the cartridges which have a limited lifetime warranty period of ten (10) years for multi-family residential applications from the original purchase date against any failure from improper manufacturing defects.

Commercial: These products have a limited 1 year warranty period, with the exception of the cartridges which have a limited lifetime warranty period of five (5) years from the original purchase date against any failure from improper manufacturing defects. (If you can present your proof of purchase, we will provide the replacement cartridge at no charge to you.)



9203.750.110
10" ROUND RAIN SHOWER HEAD

- Polished stainless steel body
- Chrome finish
- Easy-clean anti-lime
- 1/2" NPT female inlet.
- 0.12" thick low profile minimalist design
- Complies with CSA standards.



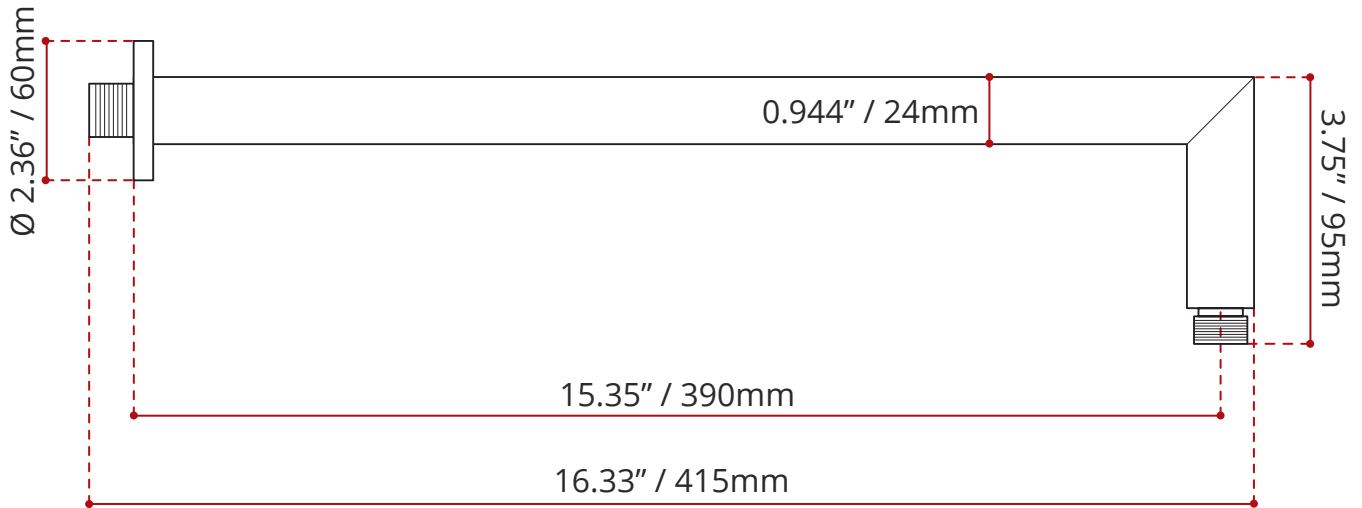
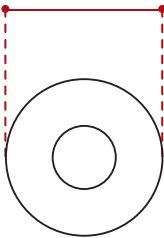
DISCLAIMER: Measurements may vary $\pm \frac{1}{4}$ " (Diagram Not to scale)



120.730.100
SHOWER ARM

- Round flange
- Brass body
- Chrome finish
- 1/2" NPT Male inlet
- G1/2" Male thread

Ø 2.36" / 60mm

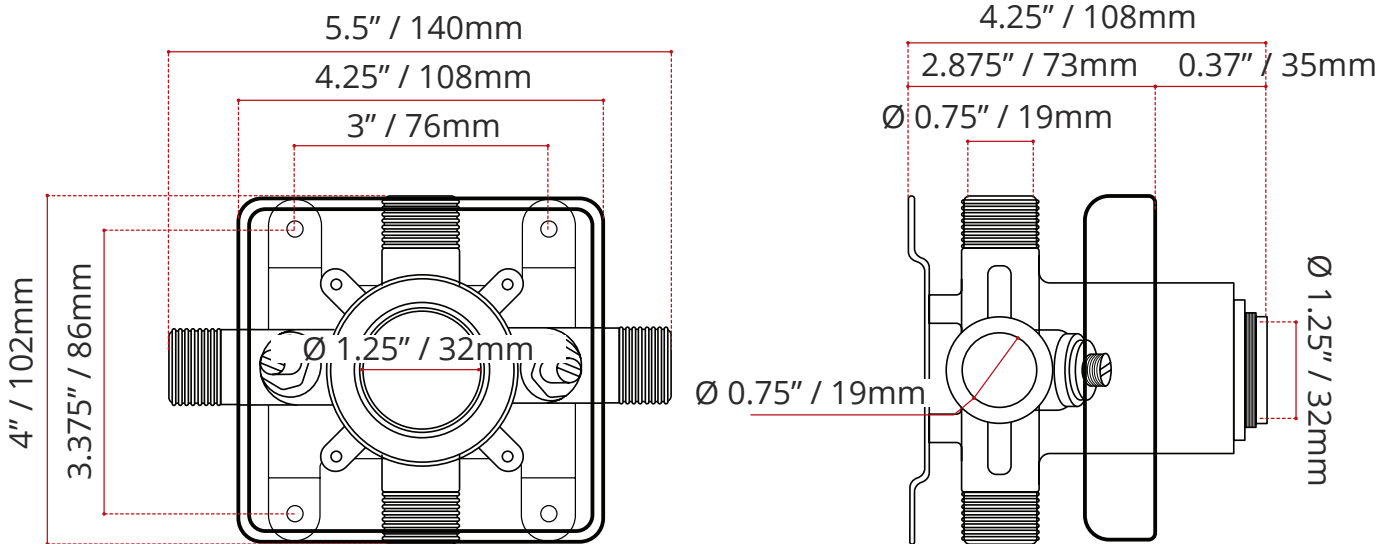


DISCLAIMER: Measurements may vary $\pm \frac{1}{4}$ " (Diagram Not to scale)



000.697.000
UNIVERSAL ROUGH-IN

- Solid brass construction
- Back-to-Back installation capabilities
- Square plasterguard allows for right angle cuts
- Thin wall mounting
- Test cap included
- Complies with CSA standards

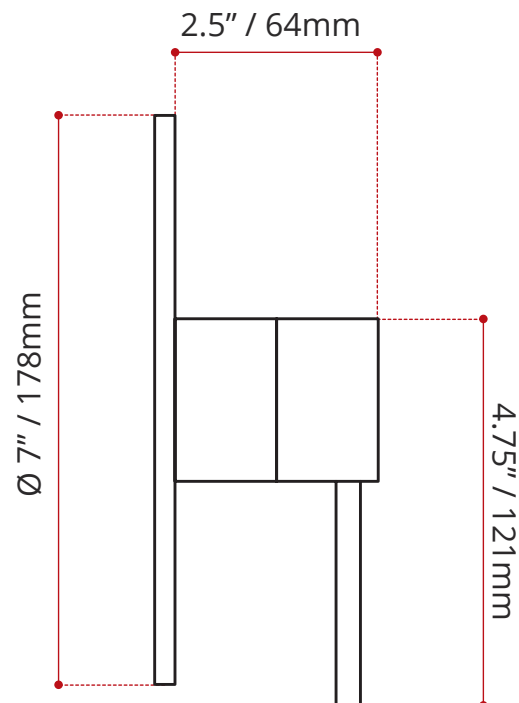
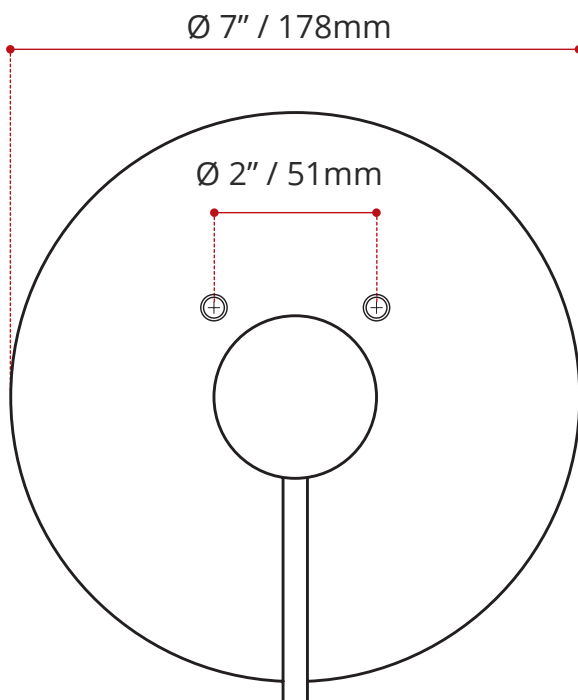


DISCLAIMER: Measurements may vary $\pm \frac{1}{4}$ " (Diagram Not to scale)



T802.697.100
ROUND TRIM KIT

- Single Handle Round trim kit
- For use with 000.697.000 Universal rough-in
- High quality, drip-free ceramic cartridge
- Corrosion & discolouration resistant
- Complies with CSA & IAPMO standards

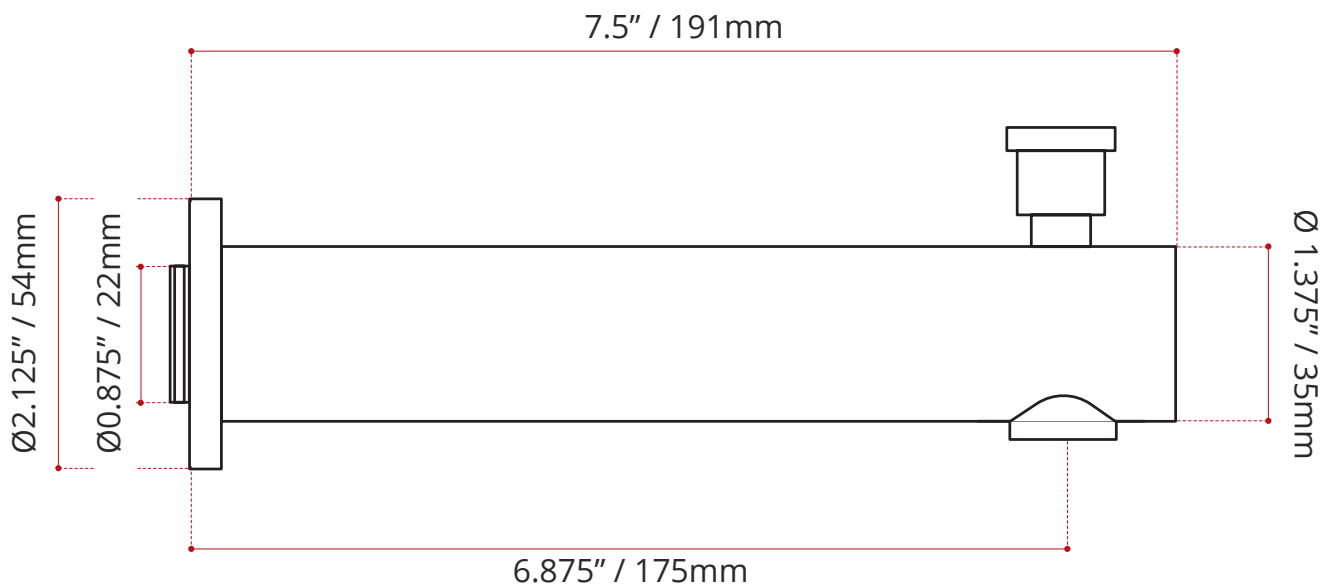


DISCLAIMER: Measurements may vary $\pm \frac{1}{8}$ " (Diagram Not to scale)



802.432.100
BATHTUB SPOUT WITH DIVERTER

- Round spout
- Round flange
- Brass body
- Female thread
- Sweat copper pipe connection



DISCLAIMER: Measurements may vary $\pm \frac{1}{4}$ " (Diagram Not to scale)