



CONFIGURATION

The VARRSK03 comes with the following products:

- **9203.750.110**
10" Round Rain Shower head
- **120.730.100**
Shower Arm
- **000.692.00**
Universal two handle Thermostat with built-in two way diverter Rough-in.
- **T802.692.100**
Round Trim Kit
- **802.015.100-1**
Round Hand Shower with Volume control kit
- **802.432.100**
Round Bath Spout with Diverter

FINISH



CHROME FINISH

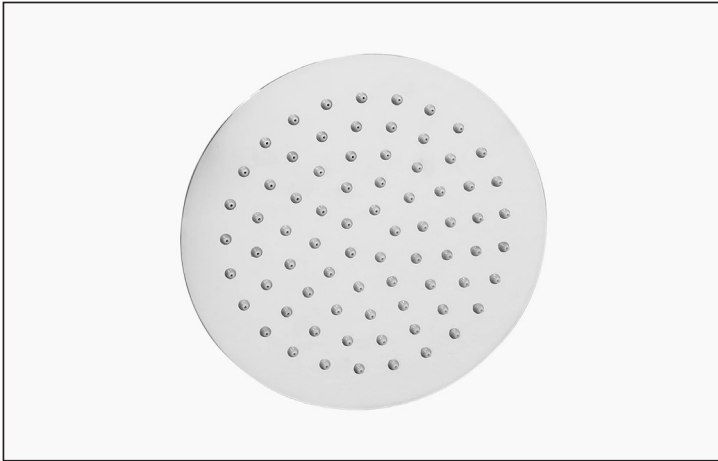
CERTIFICATIONS

CSA B125.1-11
ASME A112.18.1-2011

WARRANTY

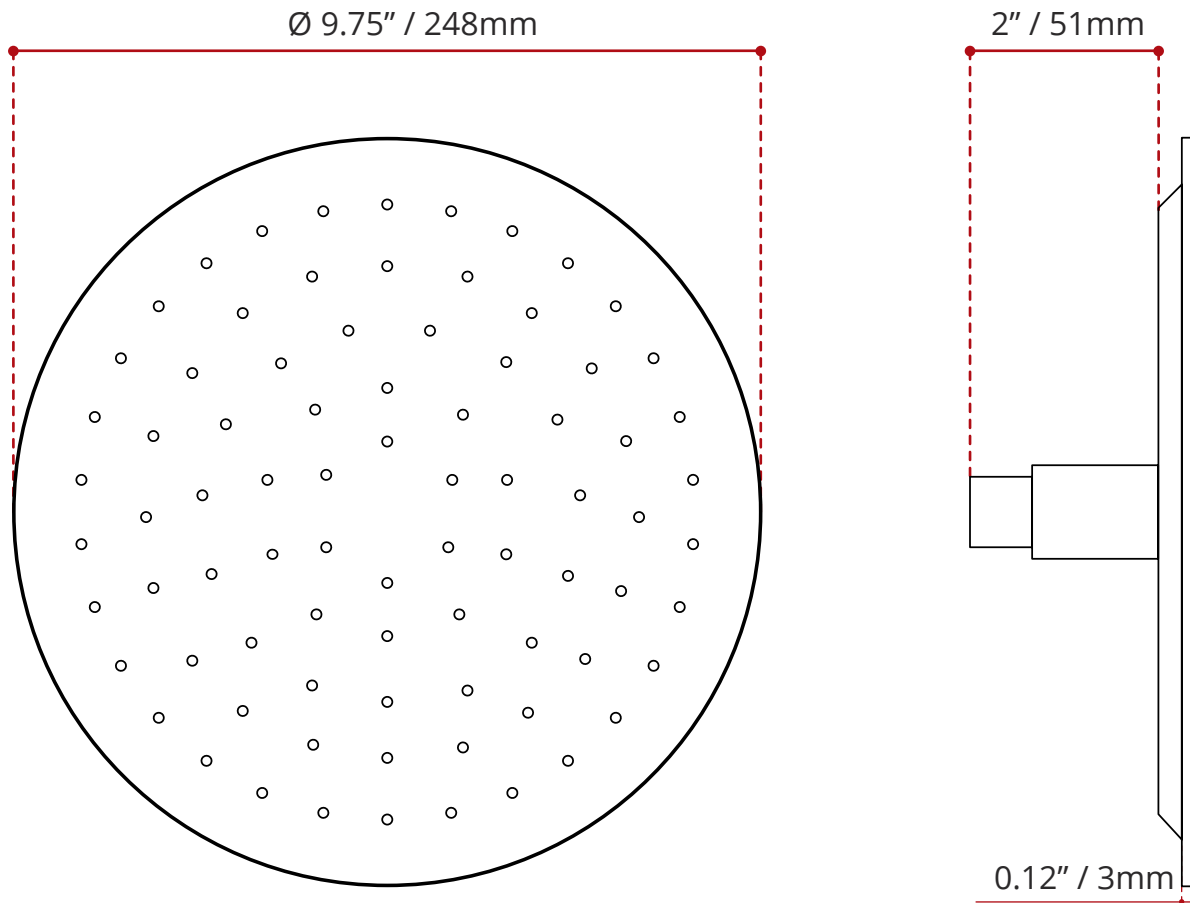
Residential: These products have a limited 1 year warranty period, with the exception of the cartridges which have a limited lifetime warranty period of ten (10) years for multi-family residential applications from the original purchase date against any failure from improper manufacturing defects.

Commercial: These products have a limited 1 year warranty period, with the exception of the cartridges which have a limited lifetime warranty period of five (5) years from the original purchase date against any failure from improper manufacturing defects. (If you can present your proof of purchase, we will provide the replacement cartridge at no charge to you.)



9203.750.110
10" ROUND RAIN SHOWER HEAD

- Polished stainless steel body
- Chrome finish
- Easy-clean anti-lime
- 1/2" NPT female inlet.
- 0.12" thick low profile minimalist design
- Complies with CSA standards.



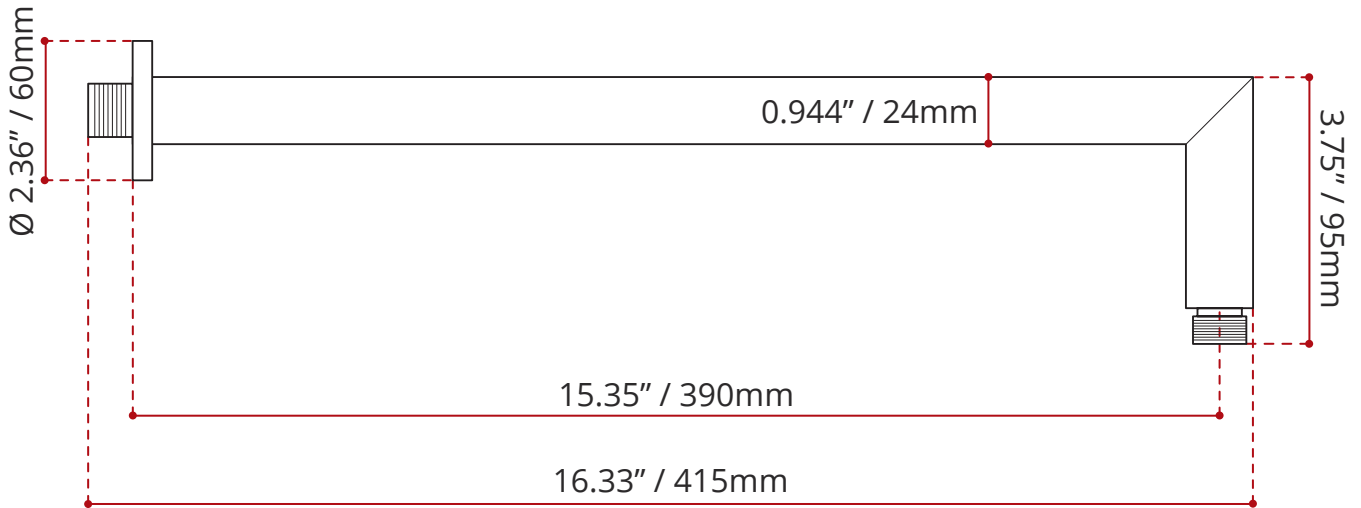
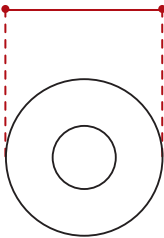
DISCLAIMER: Measurements may vary $\pm \frac{1}{4}''$ (Diagram Not to scale)



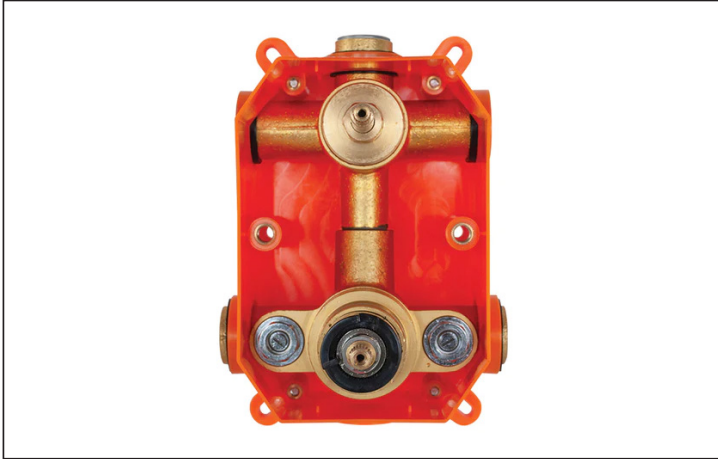
120.730.100
SHOWER ARM

- Round flange
- Brass body
- Chrome finish
- 1/2" NPT Male inlet
- G1/2" Male thread

Ø 2.36" / 60mm

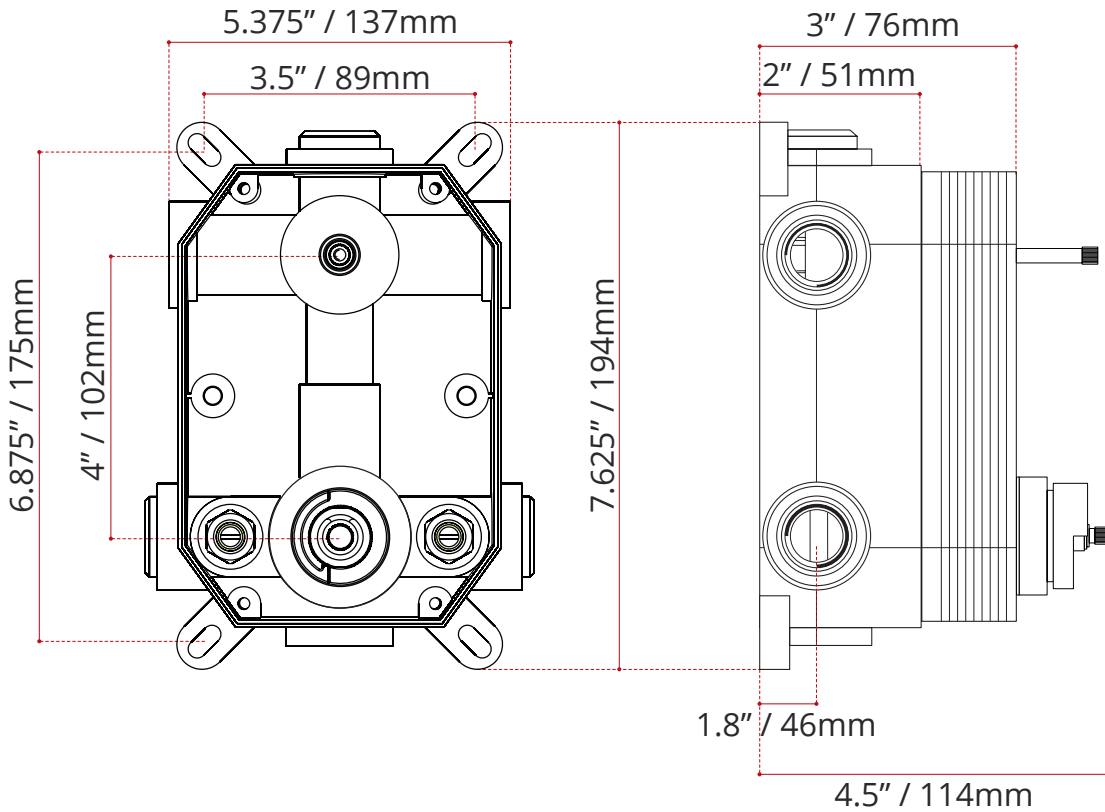


DISCLAIMER: Measurements may vary $\pm \frac{1}{4}$ " (Diagram Not to scale)



000.692.000
UNIVERSAL 2 HANDLE THERMOSTAT
WITH BUILT-IN 2 WAY DIVERTER

- High quality brass casting for durability and long life
- Back-to-Back installation capabilities
- Thin wall mounting
- Complies with CSA standards
- Pressure: 60PSI
- Flow Rate: 20LPM

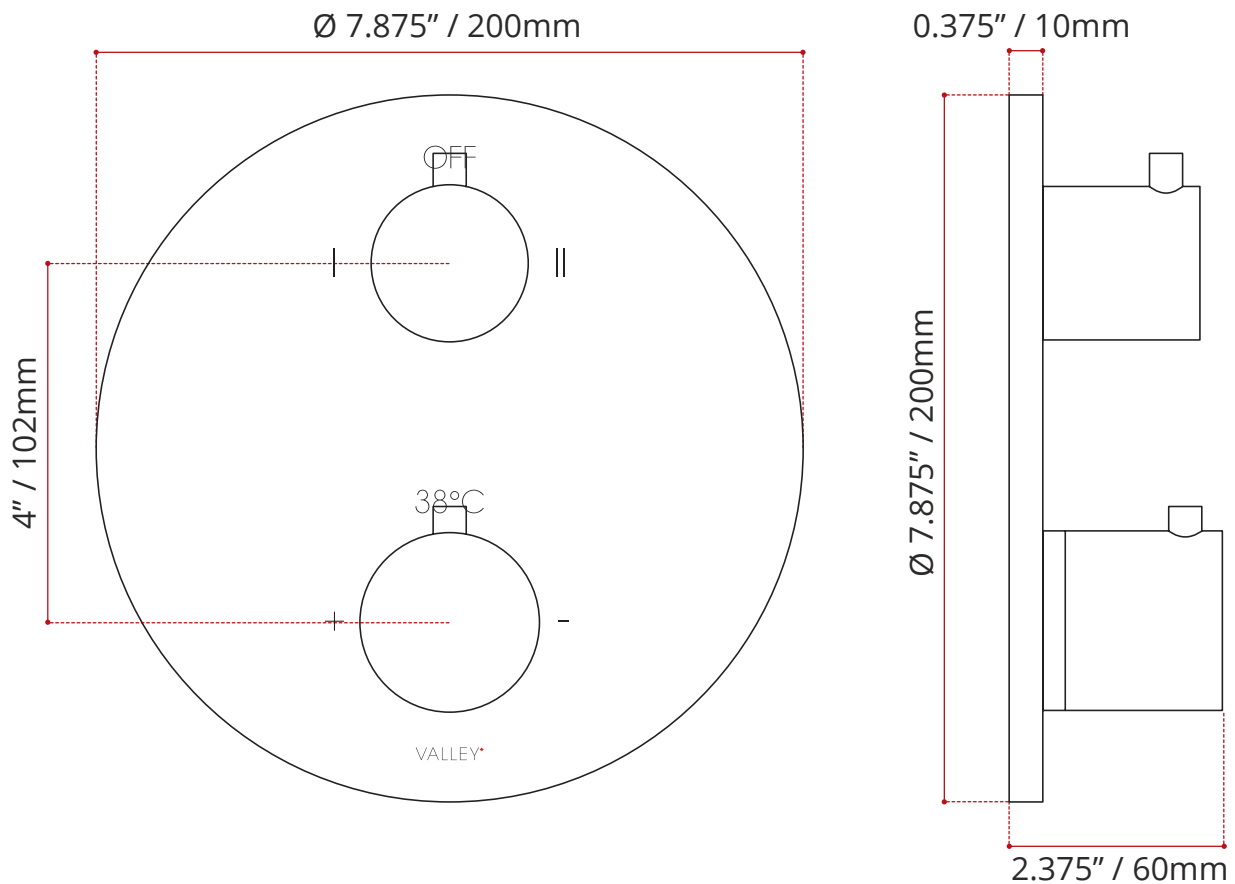


DISCLAIMER: Measurements may vary $\pm \frac{1}{4}$ " (Diagram Not to scale)



T802.692.100
ROUND TRIM KIT

- Double handle round trim kit with 2 way built-in diverter
- Chrome finish
- For use with 000.692.000 Universal rough-in
- Rough-in not included
- Corrosion & discolouration resistant
- Complies with CSA & IAPMO standards

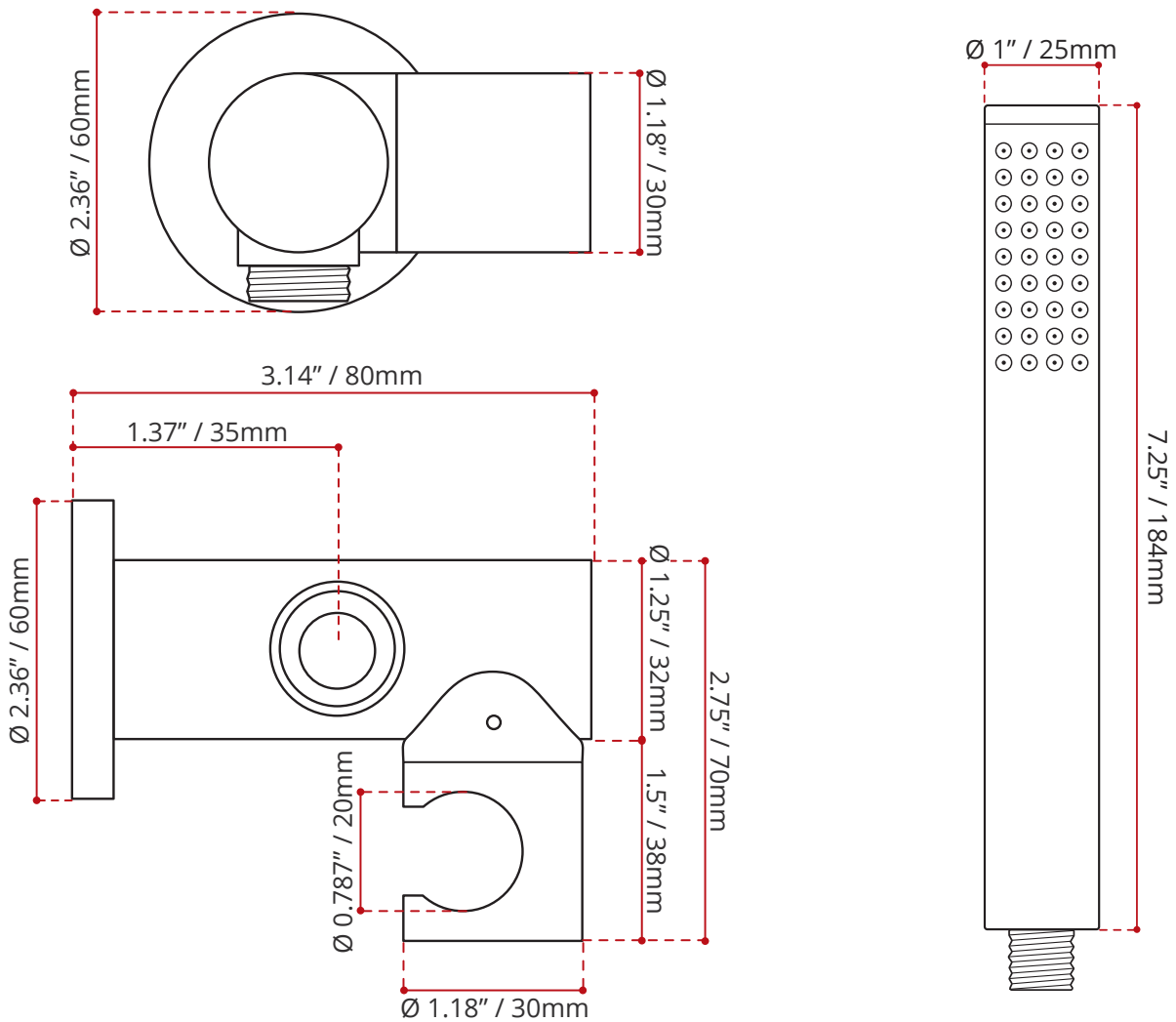


DISCLAIMER: Measurements may vary $\pm \frac{1}{4}"$ (Diagram Not to scale)



802.015.100-1
ROUND HAND SHOWER

- Round shower holder with round escutcheon
- Round shower hand
- Removable round plate
- Brass body with chrome finish
- 59" flexible reinforced stainless steel supply hose
- Corrosion & discolouration resistant
- Complies with CSA & IAPMO standards



DISCLAIMER: Measurements may vary $\pm \frac{1}{4}"$ (Diagram Not to scale)



802.432.100
BATHTUB SPOUT WITH DIVERTER

- Round spout
- Round flange
- Brass body
- Female thread
- Sweat copper pipe connection

