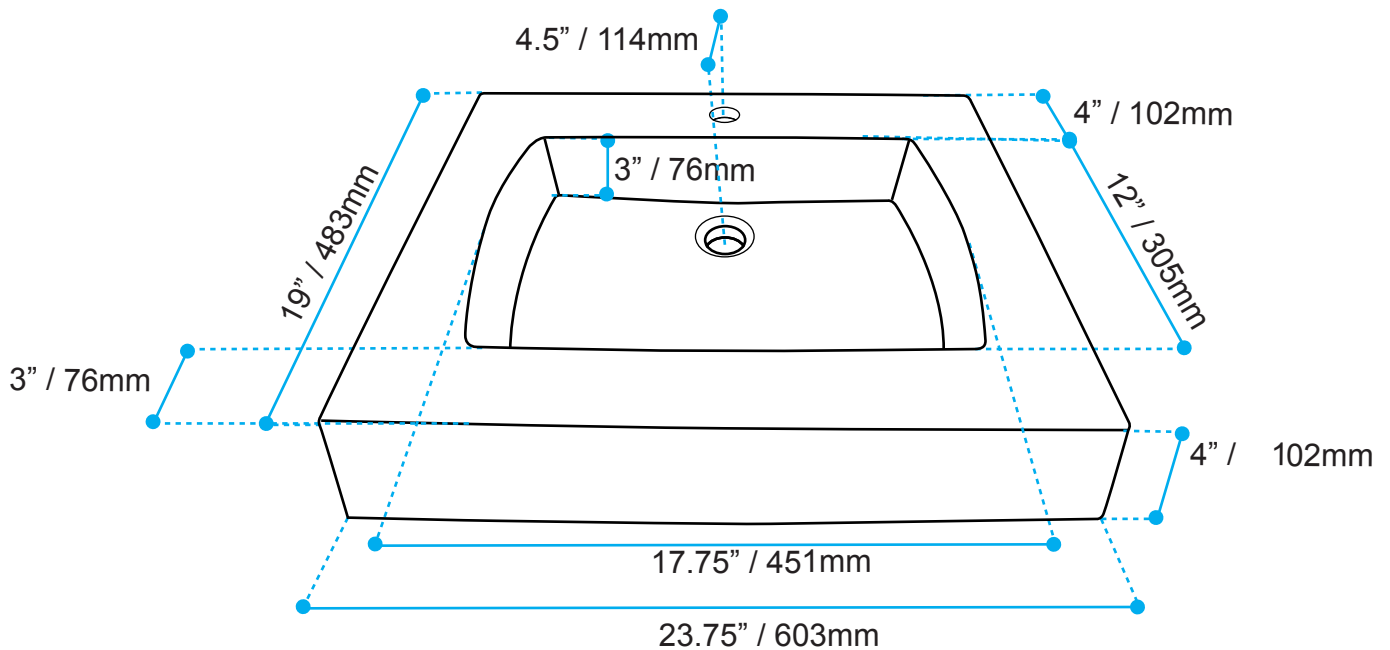




OVO2419-1GW/4

Shila Stone Basins



Customer Service Call
Toll Free: 1.877.398.8827
Web Site: www.valleyacrylic.com
Email: purchasing@valleyacrylic.com
Fax: 604.820.0124

All Measurements: ± 5 mm
(Diagram not to scale)