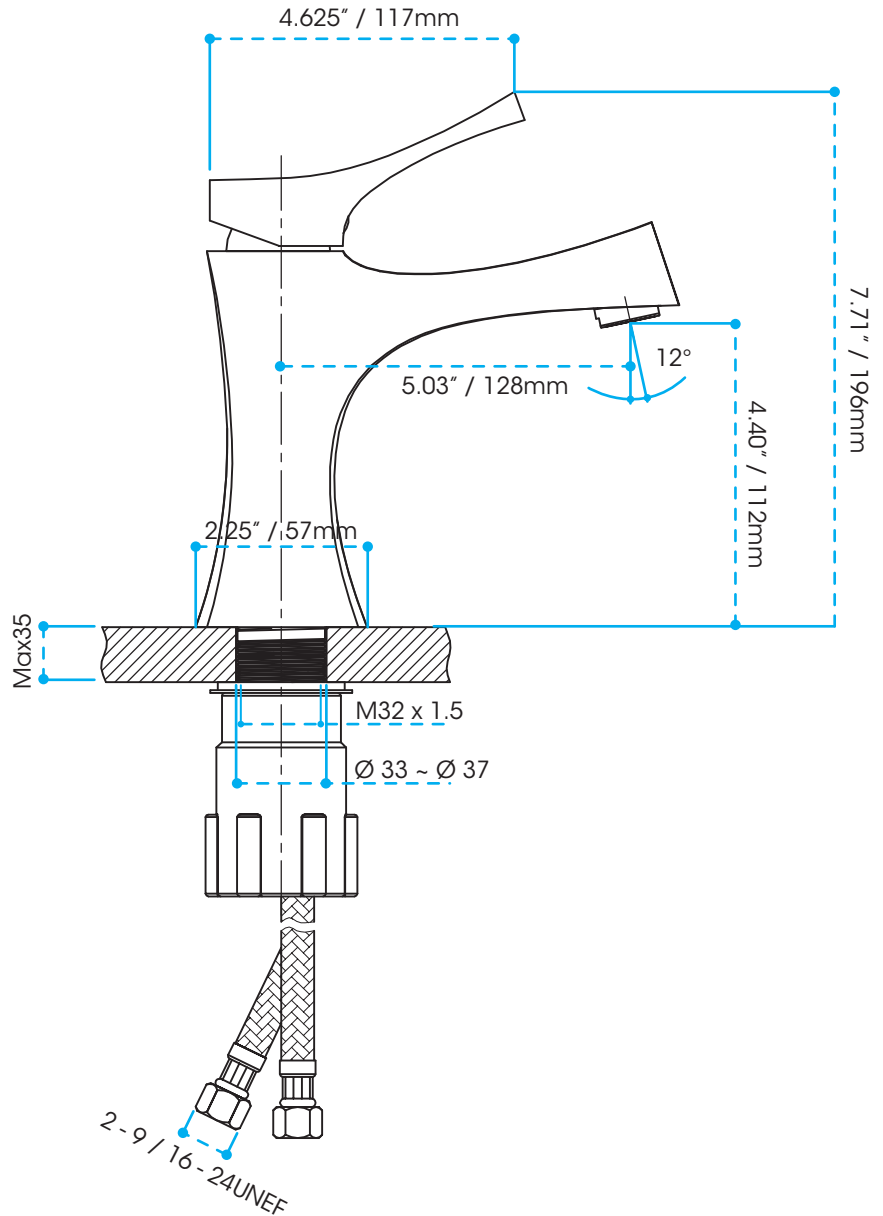




Description:

- Solid brass construction
- Triple-plated chrome finish
- Flow rate: 1.51 GPM - 5.7 LPM



Flow Rate

1.51 GPM (Gallon Per Minute)	5.7 LPM (Litre Per Minute)
---------------------------------	-------------------------------

Available Finish

Chrome

Shipping Dimensions

16 x 11 x 2.75" / 410 x 279 x 70mm

Net Weight

1.50 Kg / 3.30 lbs

Gross Weight

2.08 Kg / 4.60 lbs

✓ Complies with CSA Standards