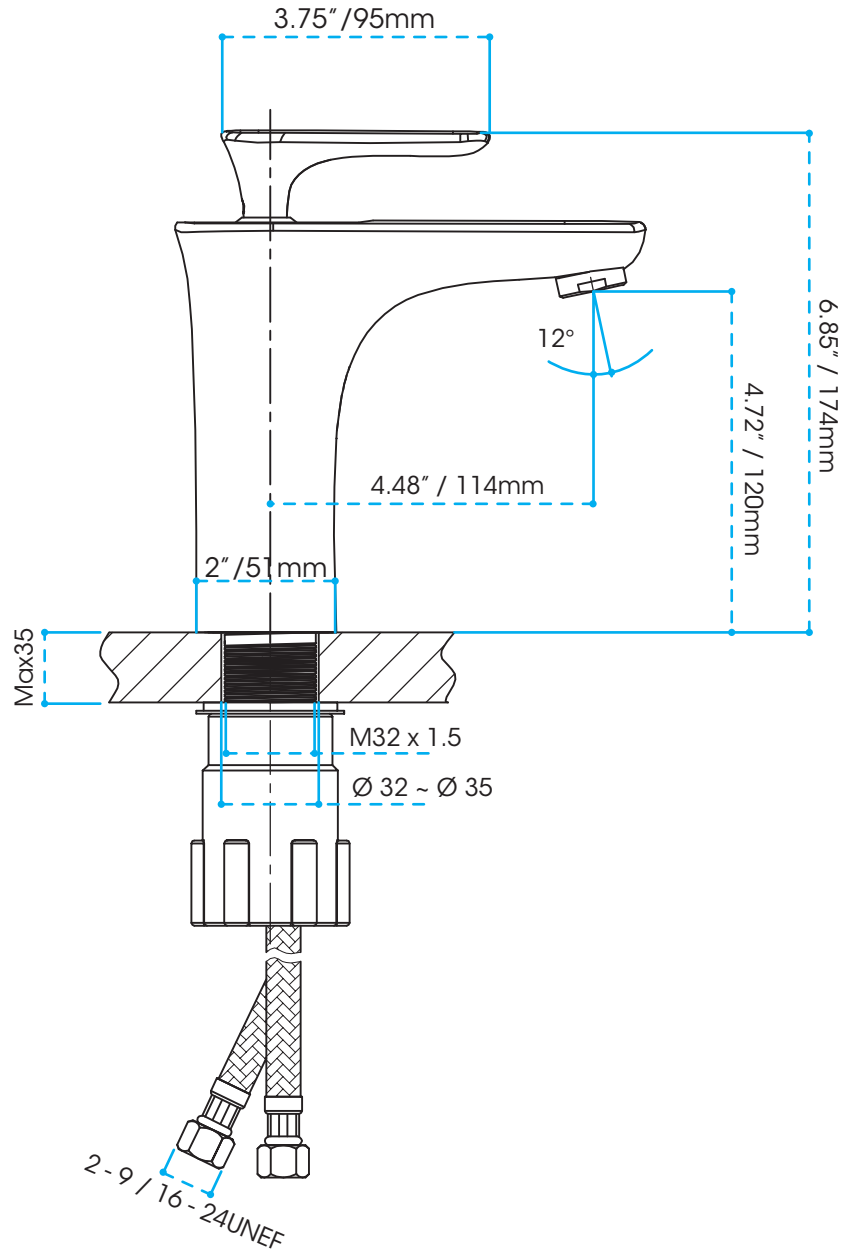




Description:

- Solid brass construction
- Triple-plated chrome finish
- Flow rate: 1.51 GPM - 5.7LPM



Flow Rate	
1.51 GPM (Gallon Per Minute)	5.7 LPM (Litre Per Minute)
Available Finish	
Chrome	
Shipping Dimensions	
16 x 11 x 2.75" / 410 x 279 x 70mm	
Net Weight	Gross Weight
1.5 Kg / 3.31 lbs	2.08 Kg / 4.60 lbs