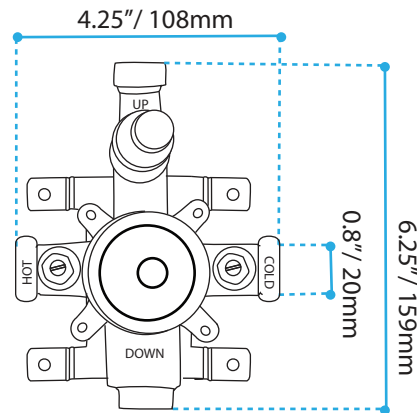
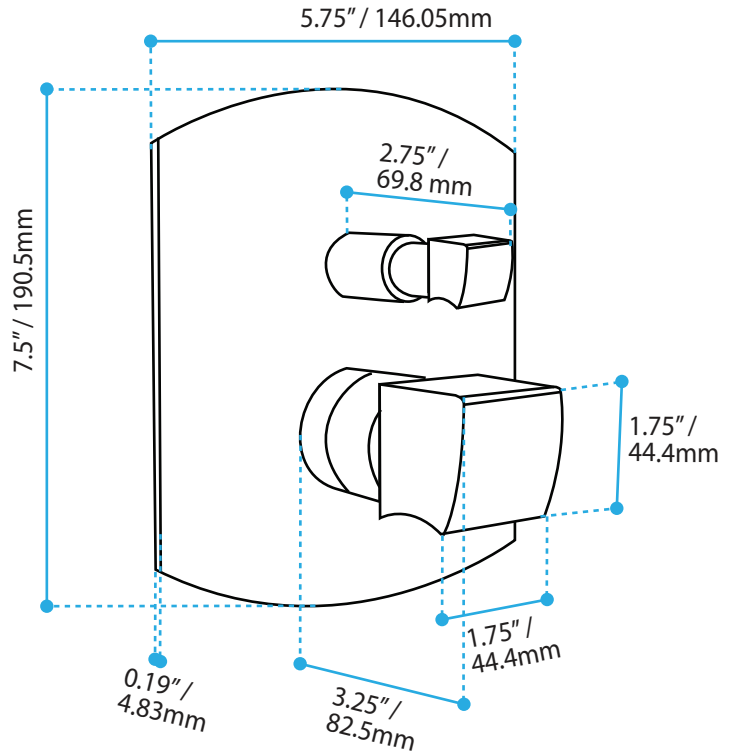
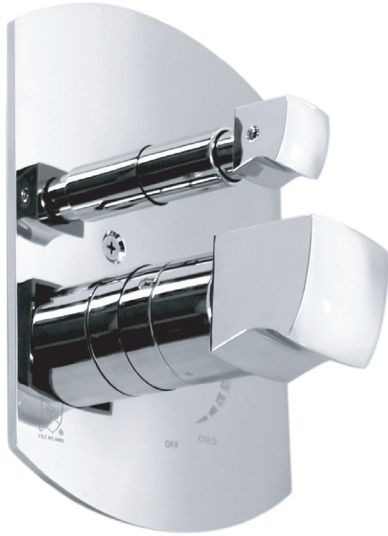


Affordable Luxury

Pressure Balance Valve  
with Built-in Diverter



### Features:

- Volume control tub/shower valve with built-in diverter
- Solid brass construction
- Ceramic cartridge
- Rough-in & trim included

Finish	Net Weight	Gross Weight (kgs)	Shipping Dimensions
Chrome			

Customer Service Call  
Toll Free: 1.877.398.8827  
Web Site: [www.valleyacrylic.com](http://www.valleyacrylic.com)  
Email: [purchasing@valleyacrylic.com](mailto:purchasing@valleyacrylic.com)  
Fax: 604.820.0124

Complies with CSA Standards  
Measurements may vary  $\pm 5$ mm  
(Diagram not to scale)