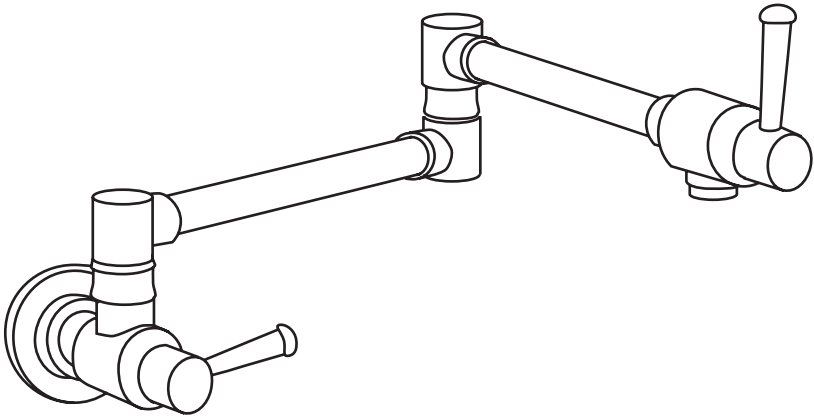


# Installation Guide

## Wall Mount Pot Filler VF-S2071



### **Thank You For Choosing Valley Acrylic**

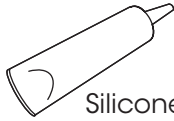
All the information in this guide is based upon the latest product information available at the time of publication. We reserve the right to make changes in product characteristics, packaging, or availability at any time without notice.

Please take a few minutes to review this guide. If you encounter any installation or performance problems, please call 1-877-398-tubs (8827) from within the USA and Canada.

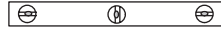
## Tools and Materials



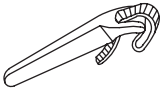
Adjustable  
Wrench



Silicone  
Sealant



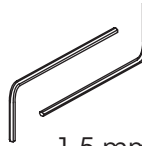
Level



Strap  
Wrench



Thread  
Sealant



1.5 mm and 3 mm  
Hex Wrench

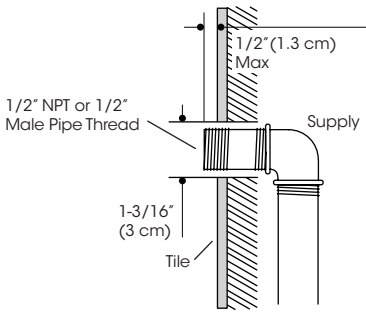
Plus:  
• Supply Piping  
• Elbows

## Before You Begin



**WARNING:** Risk of personal injury. Edges are sharp. Wear gloves when handling the sink.

- Observe all local plumbing and building codes.
- Shut off the main water supply.
- Carefully inspect waste and supply tubing for any sign of damage.
- Replace waste or supply tubing if necessary.
- Do not use petroleum based products in this project; the only exception being the sealant between the wall and the back flange.

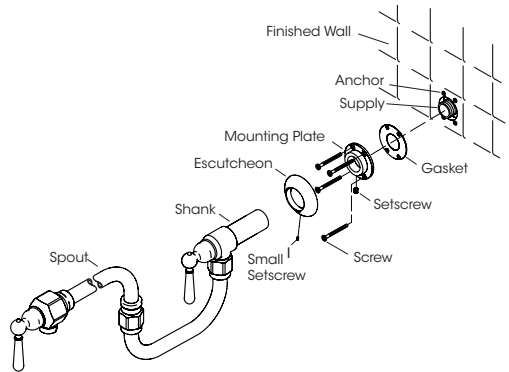


## Step 1: Prepare the Site

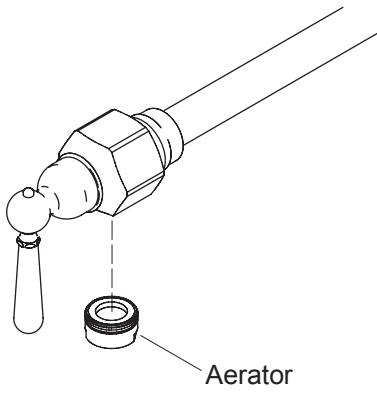
- Determine the faucet installation location.
- Install a supply stop and route the water supply to the installation location.
- Install appropriate backing and secure the supply pipe so the front face of the pipe nipple will protrude no more than 1/2 cm beyond the finished wall surface.
- Install the wall board and finished wall material. Allow a 1-3/16 (3cm) diameter opening in the wall board and finished wall material for the faucet supply connection.

## Step 2: Install the Faucet Assembly

- Slide the mounting plate onto the faucet shank.
- Align the groove in the underside of the faucet shank with the setscrew hole in the mounting plate and secure with the setscrew.
- Temporarily install the faucet onto the supply until the mounting plate is both flush with the wall and the setscrew is facing down.
- With a pencil, mark the location of the four mounting holes.
- Remove the faucet from the supply.
- Remove the mounting plate from the faucet shank.
- Drill a 1/4 hole at each of the four marked locations.
- Install an anchor into each of the four holes.
- Apply thread sealant to the supply pipe threads.
- Slide the gasket and mounting plate over the supply and up against the finished wall. Position the mounting plate so the setscrew hole is facing down.



- Line up the holes in the gasket and mounting plate with the anchors and secure with the four screws.
- Slide the escutcheon onto the faucet shank. NOTE: Use a strap wrench to tighten the faucet connection. Do not
- tighten using the spout.
- Thread the faucet onto the supply. Use a strap wrench to tighten until a watertight seal is made and the faucet is positioned as shown.
- Verify that the groove in the underside of the faucet shank is aligned with the setscrew hole in the mounting plate. Secure with the setscrew.
- Slide the escutcheon over the mounting plate.
- Position the escutcheon so the setscrew hole is facing down.
- Secure the escutcheon with the small setscrew.



### Step 3: Installation Checkout

- Turn both handles full clockwise to the off position to close the valves.
- Verify that all connections are tight.
- Twist the aerator counterclockwise to remove it from the spout.
- Position a bucket, or other suitable container, beneath the spout.
- Turn on the main water supply.
- Check all connections for leaks; repair as needed.
- Open both faucet valves to run water through the faucet.
- Check all connections for leaks; make any adjustments as needed.
- Allow water to run through the spout to remove any debris.
- Turn off the faucet by closing both valves.
- Remove any debris from the aerator and reinstall.