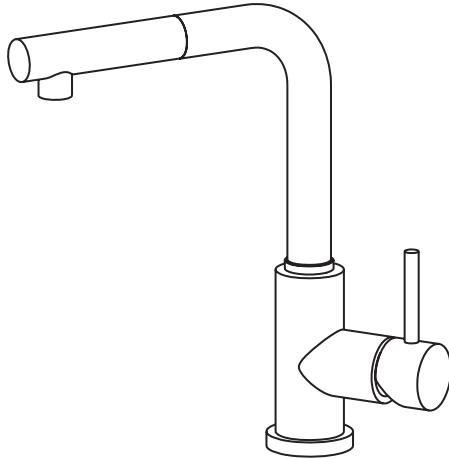


Installation Guide

Single Handle Pull Down Kitchen Faucet VF-S0912



Thank You For Choosing Valley Acrylic

All the information in this guide is based upon the latest product information available at the time of publication. We reserve the right to make changes in product characteristics, packaging, or availability at any time without notice.

Please take a few minutes to review this guide. If you encounter any installation or performance problems, please call 1-877-398-tubs (8827) from within the USA and Canada.

Tools and Materials



Adjustable
Wrench



Phillips
Screwdriver



Pipe Tape
(Supplied)



Spanner for Body
(Supplied)



Spanner for
Aerator(Supplied)

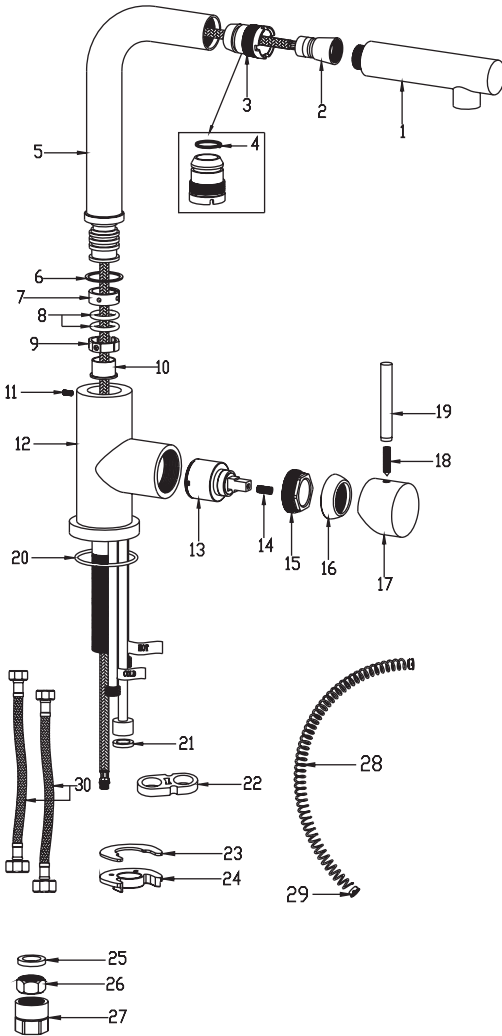


BEFORE YOU BEGIN

- Observe all local plumbing and building codes.
- Shut off the main water supply.
- Carefully inspect waste and supply tubing for any sign of damage.
- Replace waste or supply tubing if necessary.

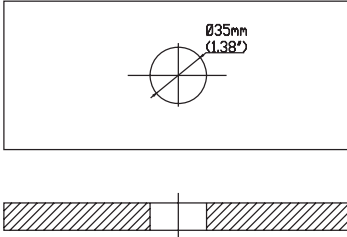
Replacement Parts

Keep this manual for ordering replacement parts.

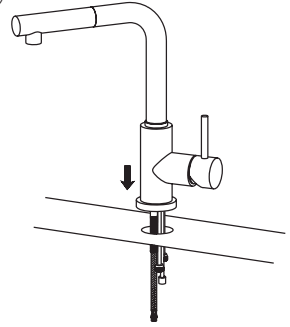


1. Nozzle
2. Hose
3. plastic cover
4. Spring ring
5. Spout
6. Anti-friction gasket
7. Plastic cover
8. O-ring
9. Plastic cover
10. Noise muer
11. Screw
12. Faucet body
13. Cartridge
14. Screw
15. Lock nut
16. Cartridge holder
17. Handle body
18. Screw
19. Knob
20. O-ring
21. Flat gasket
22. Spring holder
23. Rubber gasket
24. Stainless steel gasket
25. Gasket
26. Hexagon nut
27. Plastic nut
28. Spring
29. Anti-friction cover
30. Hose

Installation

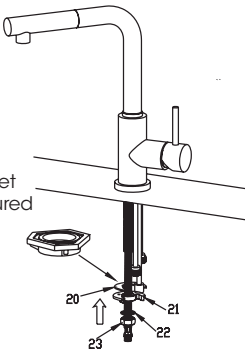


Step ①

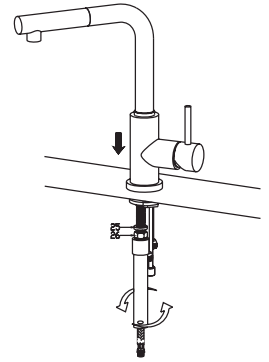


Step ②

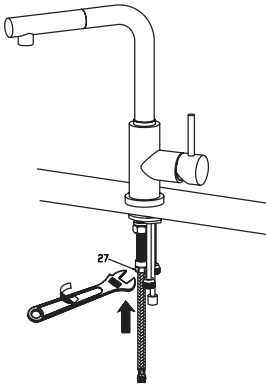
Add part if faucet is not firmly secured to countertop



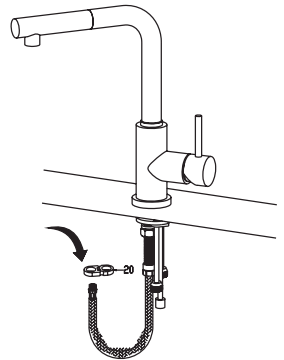
Step ③



Step ④

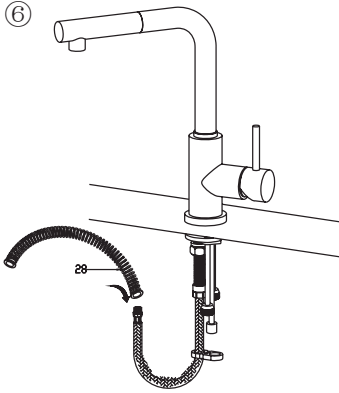


Step ⑤

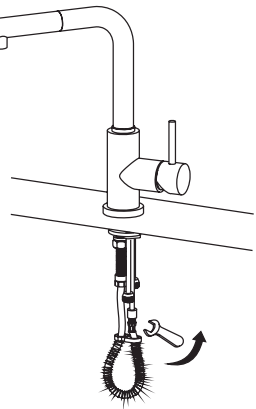


Installation

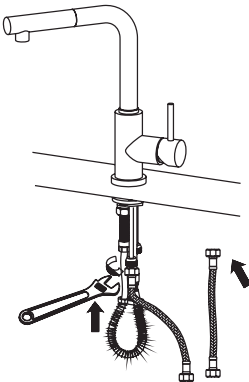
Step ⑥



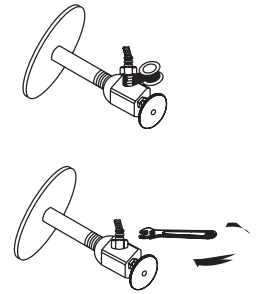
Step ⑦



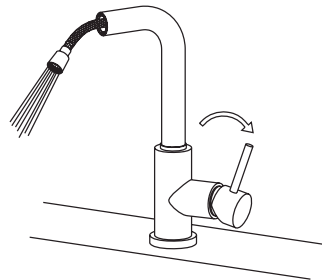
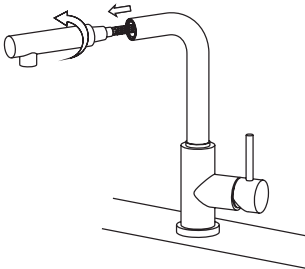
Step ⑧



Step ⑨

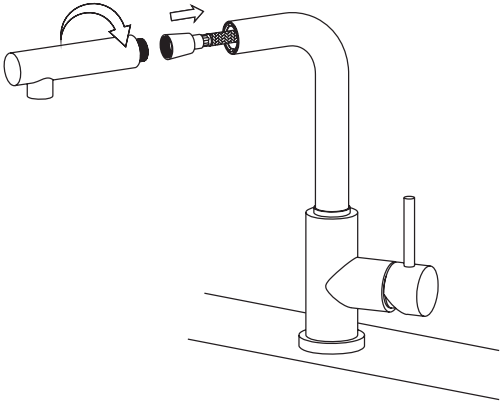


Step ⑩



Please remove any sand, silt and other debris from the water hose before assembling, to avoid blocking the faucet and affecting water flow. Please use the special tools to disassemble the faucet. Wash with pneumatic equipment, if the faucet is blocked.

Step ⑪



Step ⑫

