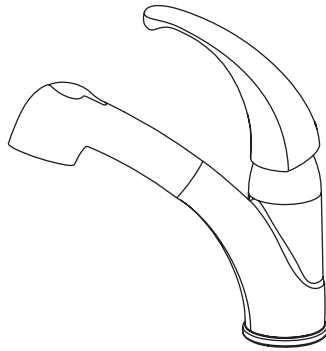


Installation Guide

Single Lever Kitchen Faucet With Pull-out Sprayer VF-S1516



Thank You For Choosing Valley Acrylic

All the information in this guide is based upon the latest product information available at the time of publication. We reserve the right to make changes in product characteristics, packaging, or availability at any time without notice.

Please take a few minutes to review this guide. If you encounter any installation or performance problems, please call 1-877-398-tubs (8827) from within the USA and Canada.

Tools and Materials



Adjustable
Wrench



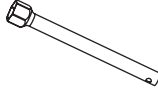
Phillips
Screwdriver



Pipe Tape
(Supplied)



Small Spanner
(Supplied)



Tools for loosening
the hexagon nut
(supplied)



Spanner for
Aerator

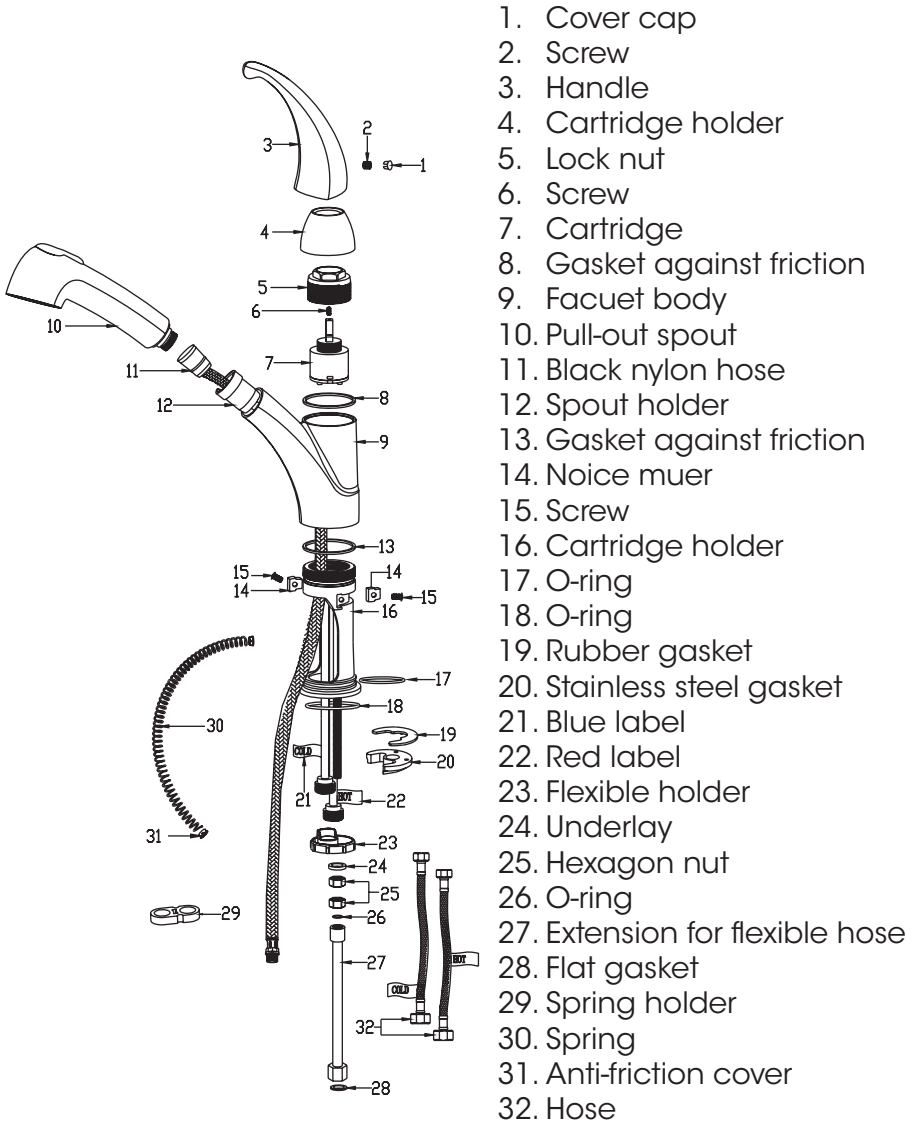


BEFORE YOU BEGIN

- Observe all local plumbing and building codes.
- Shut off the main water supply.
- Carefully inspect waste and supply tubing for any sign of damage.
- Replace waste or supply tubing if necessary.

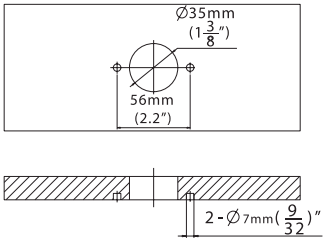
Replacement Parts

Keep this manual for ordering replacement parts.

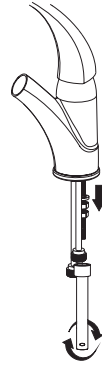


Installation

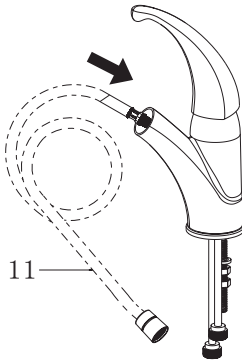
Step 1



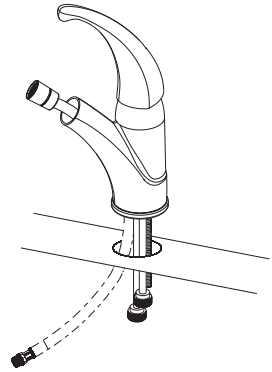
Step 2



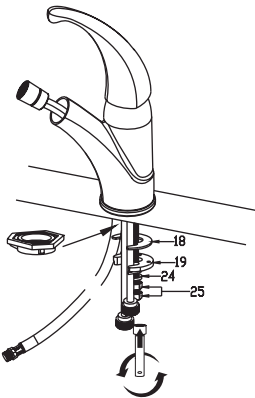
Step 3



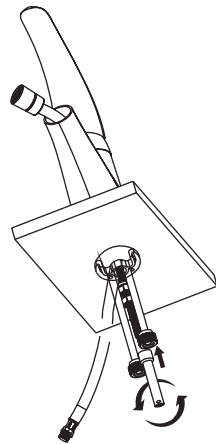
Step 4



Step 5

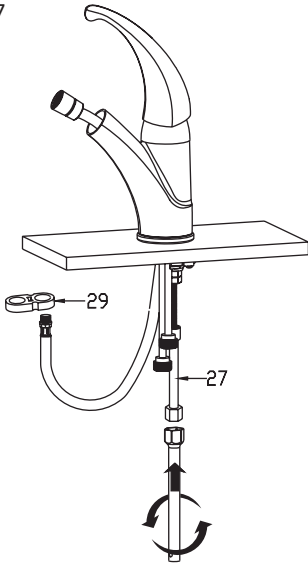


Step 6

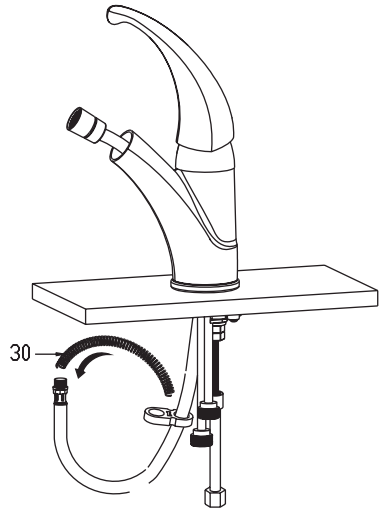


Installation

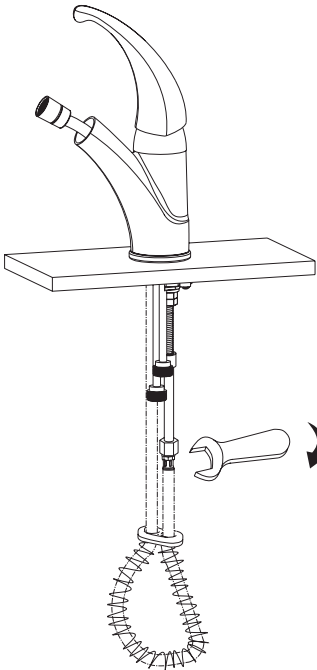
Step 7



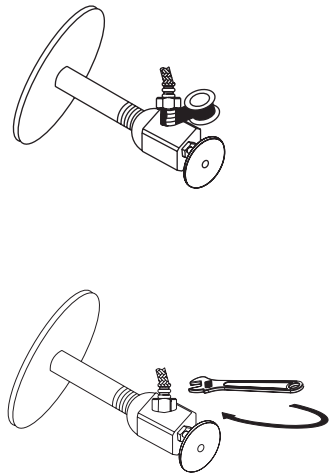
Step 8



Step 9

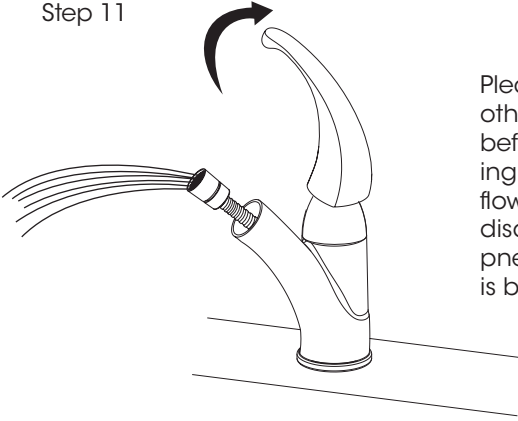


Step 10



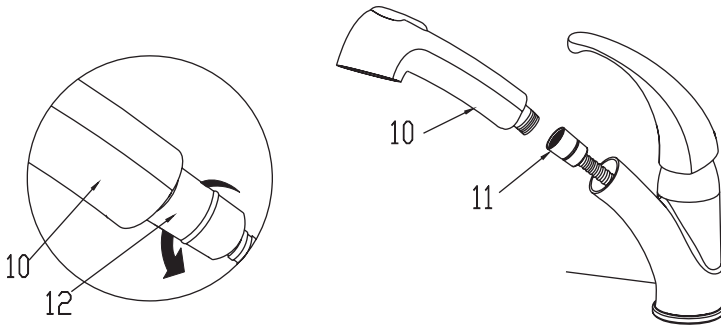
Installation

Step 11



Please remove any sand, silt and other debris from the water hose before assembling, to avoid blocking the faucet and affecting water flow. Please use the special tools to disassemble the faucet. Wash with pneumatic equipment, if the faucet is blocked.

Step 12



Step 13

