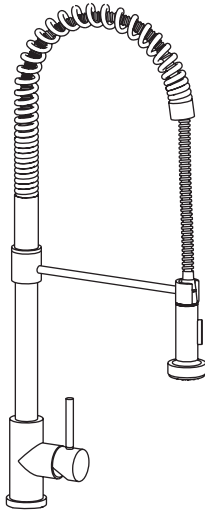


Installation Guide

Single Handle Pre-rinse Kitchen Faucet VF-S1634



Thank You For Choosing Valley Acrylic

All the information in this guide is based upon the latest product information available at the time of publication. We reserve the right to make changes in product characteristics, packaging, or availability at any time without notice.

Please take a few minutes to review this guide. If you encounter any installation or performance problems, please call 1-877-398-tubs (8827) from within the USA and Canada.

Tools and Materials



Adjustable
Wrench



Phillips
Screwdriver



Pipe Tape
(Supplied)



Spanner



Spanner for
Aerator

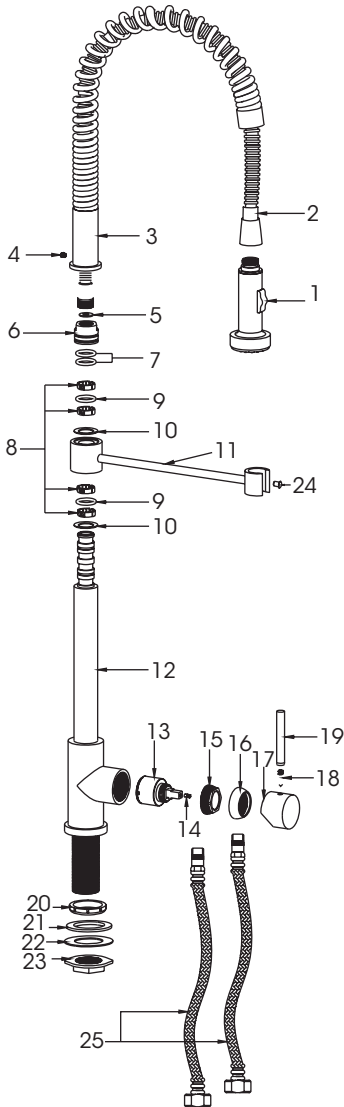


BEFORE YOU BEGIN

- Observe all local plumbing and building codes.
- Shut off the main water supply.
- Carefully inspect waste and supply tubing for any sign of damage.
- Replace waste or supply tubing if necessary.

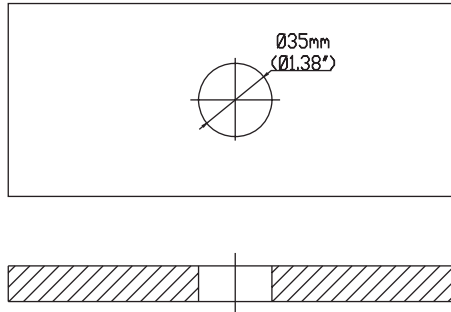
Replacement Parts

Keep this manual for ordering replacement parts.

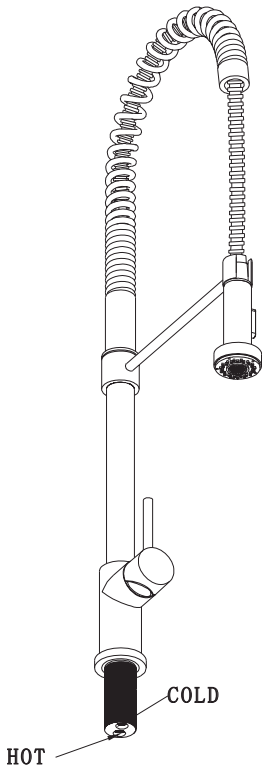


1. Sprayer
2. Flex hose
3. Spout
4. Screw
5. Flat gasket
6. Connector
7. O-ring
8. Lock ring
9. O-ring
10. Anti-friction gasket
11. Faucet body
(with shower holder)
12. Faucet body
13. Cartridge
14. Screw
15. Lock nut
16. Cartridge holder
17. Handle body
18. Screw
19. Knob
20. Bottom gasket
21. Rubber gasket
22. Steel gasket
23. Hexagon nut
24. Fixed lock ring
25. Hose

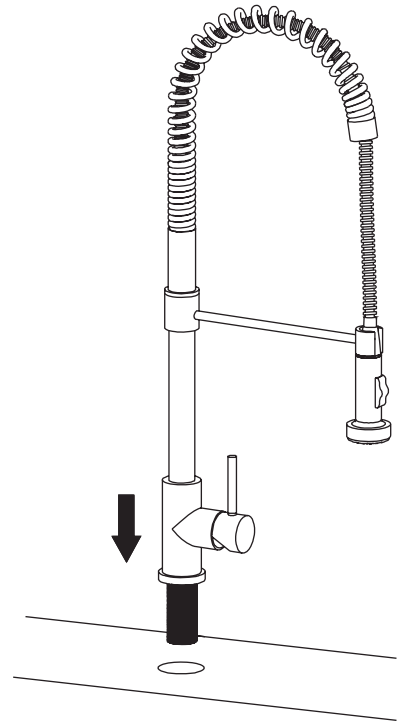
Installation



Step 1

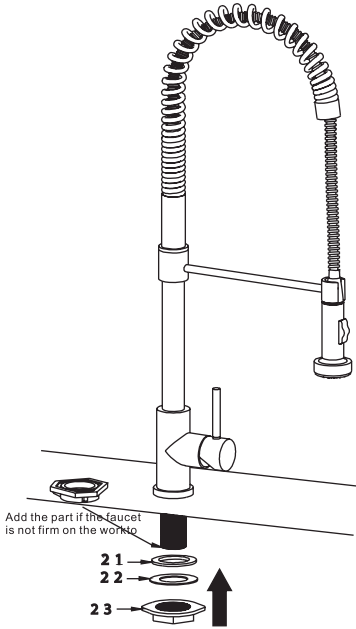


Step 2

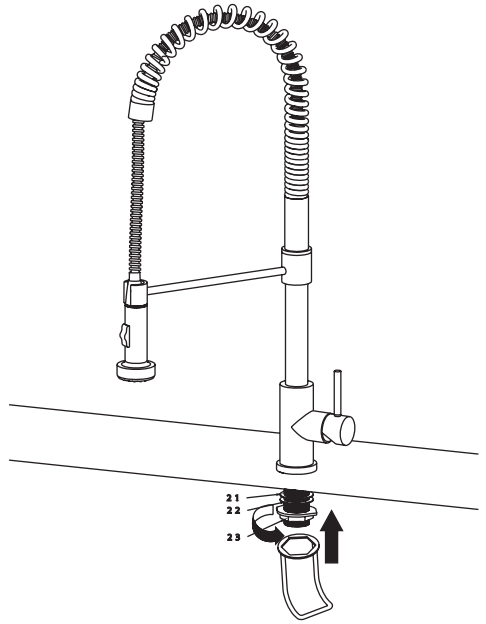


Installation

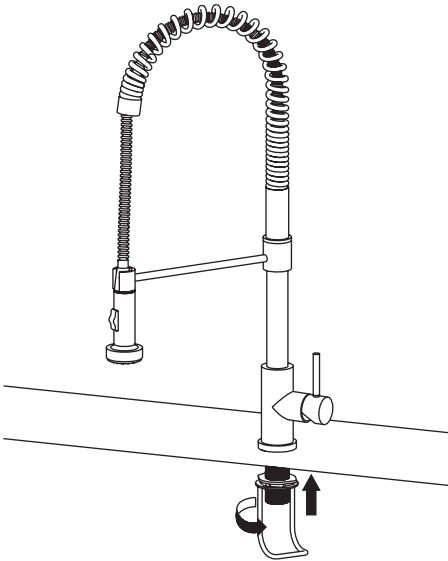
Step 3



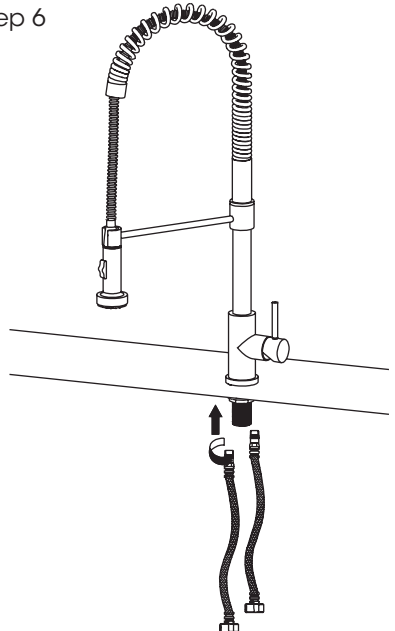
Step 4



Step 5

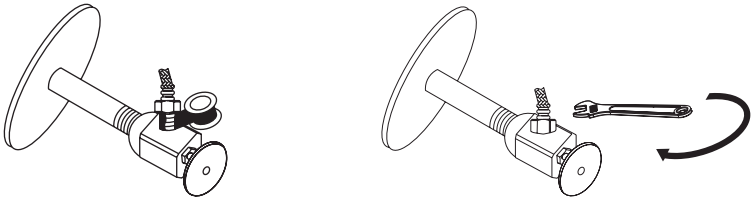


Step 6

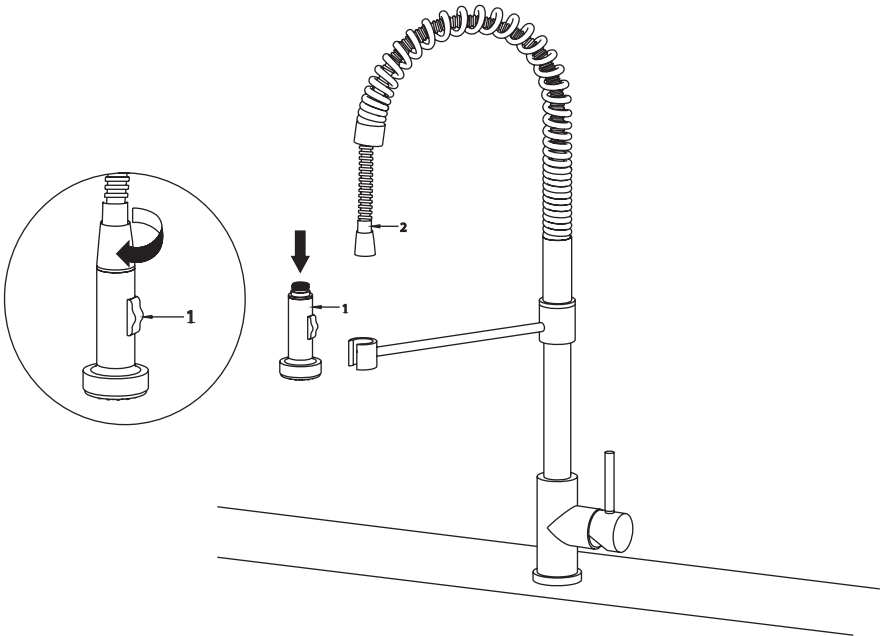


Installation

Step 7

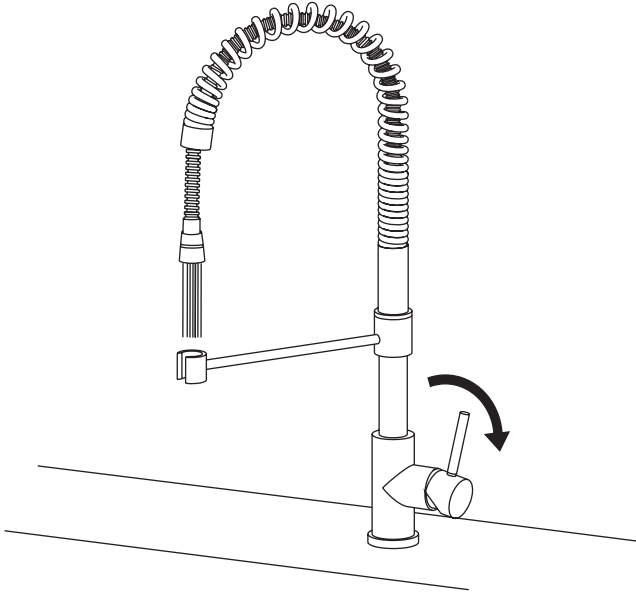


Step 8



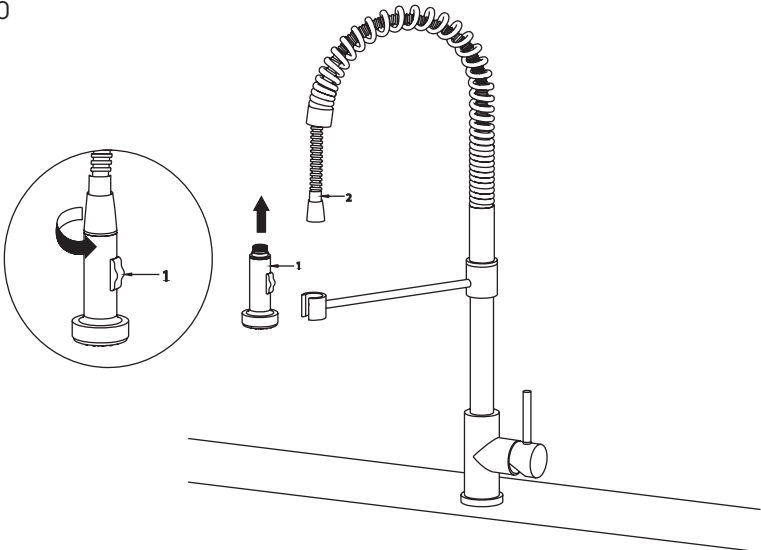
Installation

Step 9



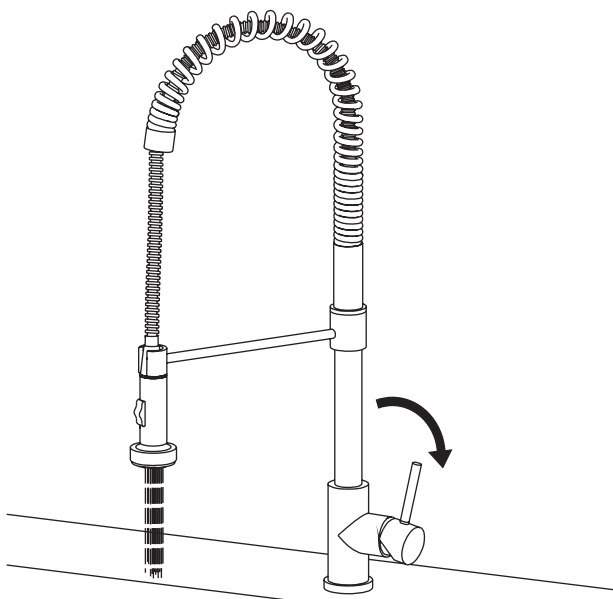
Please remove any sand, silt and other debris from the water hose before assembling, to avoid blocking the faucet and affecting water flow. Please use the special tools to disassemble the faucet. Wash with pneumatic equipment, if the faucet is blocked.

Step 10



Installation

Step 11



Step 12

