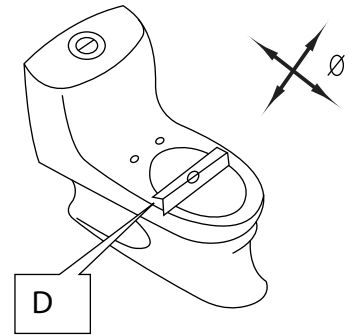


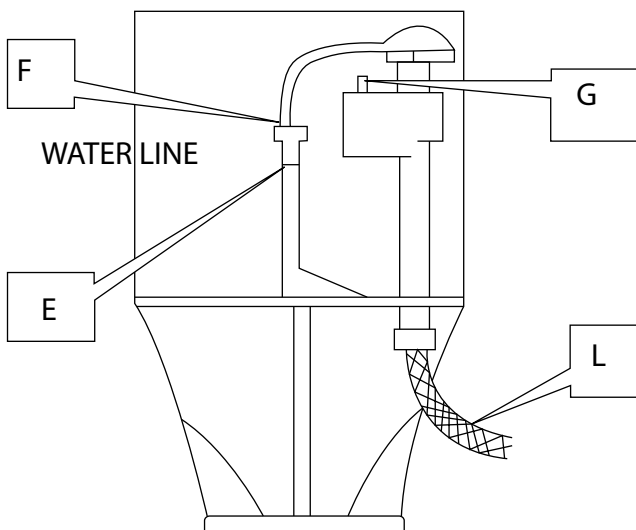
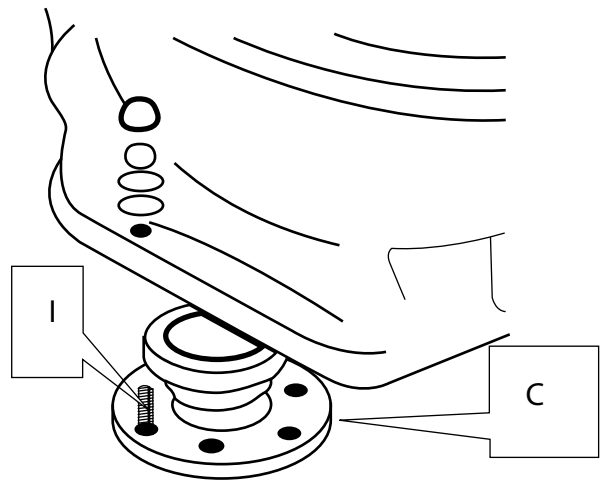
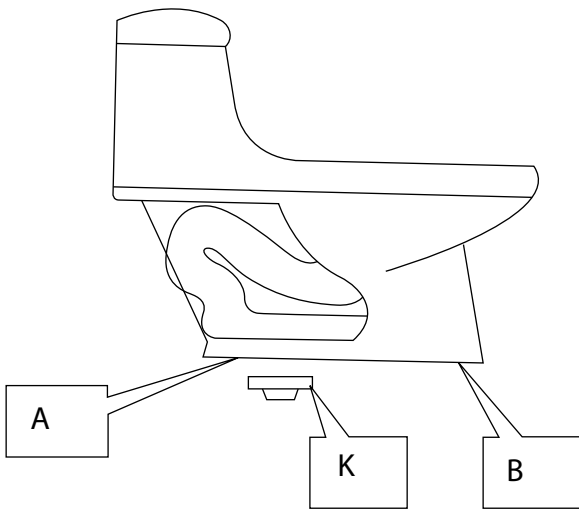
Installation Instruction

Model 8811

1. Inspect the bowl tank and lid before installation
2. Tilt toilet and install outlet seal "K" on exit tube "A"
3. Apply 1/8" of caulking (not supplied) to outer edge of Bowl "B"
4. Place bolt "I" in floor flange "C" and install the toilet
5. With a spirit level check bowl is level "D", Shim as requested.
6. Connect supply line "L" (not supplied) and fill tank.
7. Adjust water level if required to level indicate "E" on the overflow tube "F", Turn adjusting Rod "G" right to lower and left to raise water level.
8. Check for leaks.
9. Install seat



Cleaning instruction-use none abrasive household cleaner and a soft cloth. Replacement parts available at any plumbing retailer.



Seat/Charniere/El Asiento

