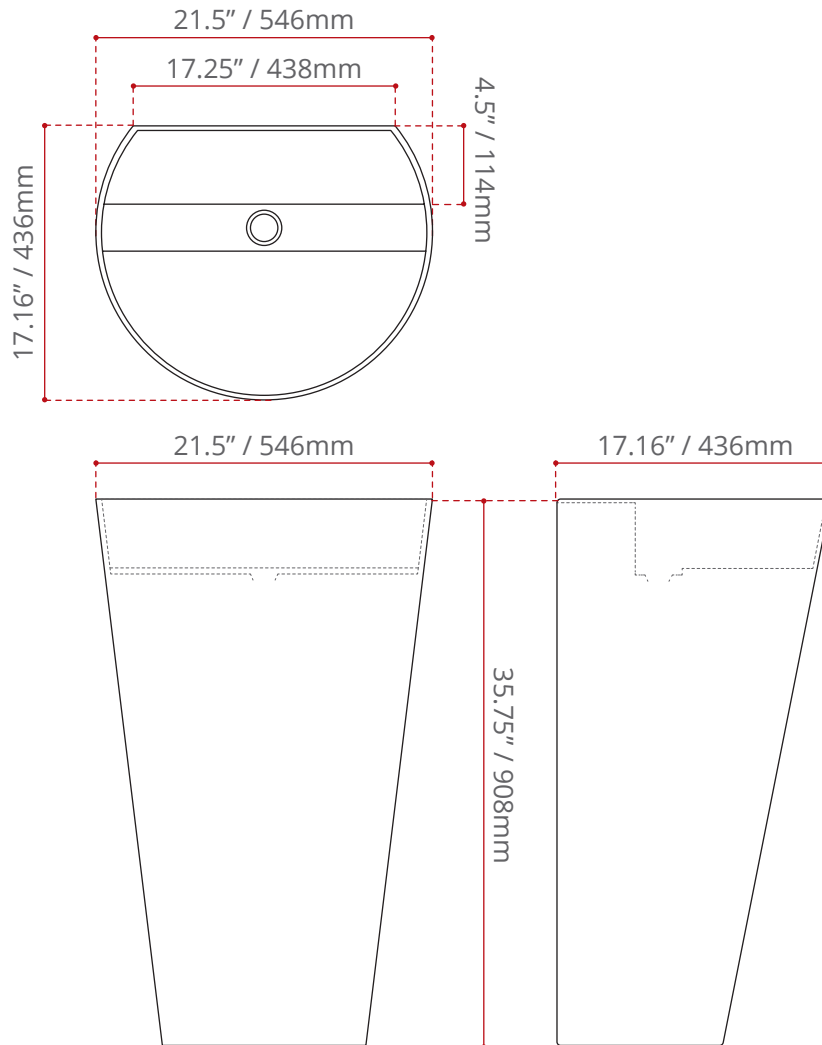

INSTALLATION GUIDE



INSTALLATION GUIDE

SPECIFICATIONS



CAUTION:

- FOR BEST RESULTS, WE STRONGLY RECOMMEND THE INSTALLATION OF THIS PRODUCT BE DONE BY A LICENSED PROFESSIONAL PLUMBER.

- ALL DIMENSIONS SHOULD BE VERIFIED PRIOR TO INSTALLATION.

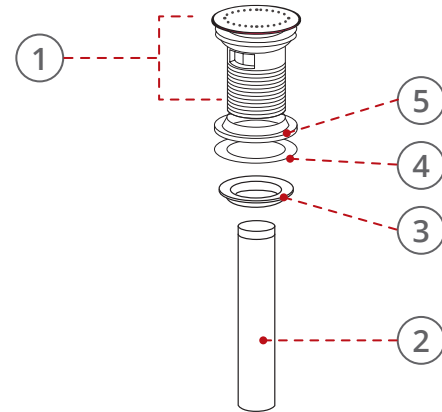
INSTALLATION GUIDE

STEP 1: PREPARING THE DRAIN

- Unscrew the tube (2) and remove the hexagonal nut (3), the white nylon washer (4) and the black rubber washer (5).

- Insert the body of the drain (1) into the hole of the sink.

NOTE: Drain not included. We recommend our **A131Q** Open grid drain or our **A9290** Open grid drain with cap .



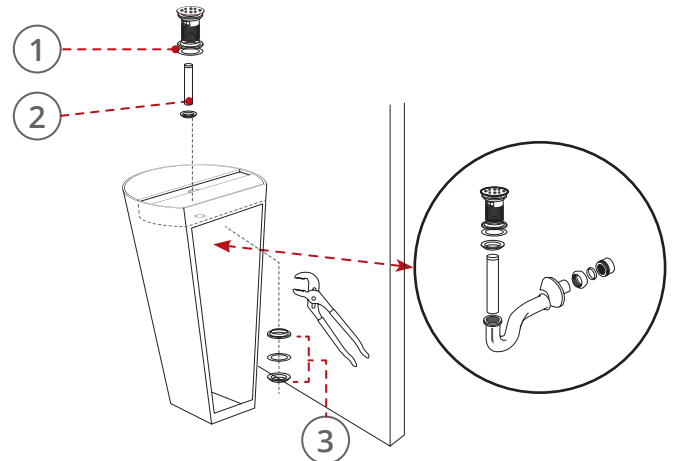
STEP 2: INSTALLING THE DRAIN

- Apply a thin layer of teflon on the threads of the pipe (2) and screw the pipe to the drain base (1). Assemble the drain to the hole of the sink using the clamping ring kit (3).

- We recommend using a flexible P-TRAP. It is advisable to insert the flexible P-TRAP on the hose along the drain assembly. Then adjust the height of the outlet pipe of the flexible P-TRAP along the height of the plumbing wall.

- Position the sink to the wall at a distance sufficient to allow assembly of the flexible P-TRAP plumbing.

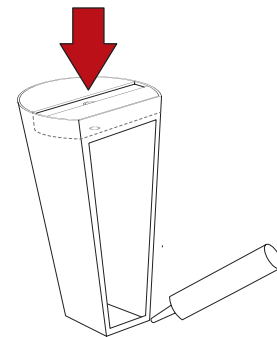
NOTE: Drain not included. We recommend our **A131Q** Open grid drain or our **A9290** Open grid drain with cap .



STEP 3: INSTALLING THE BASIN

- Well clean the sink and work area in order to remove residual dirt and dust.

- Seal the edge of the sink with a clear silicone. Allow to harden the silicone for 24 hours before use.



INSTALLATION GUIDE

Thank you for choosing Valley Products. This installation manual provides general information on the installation of our products.

MAINTENANCE

DO NOT USE ANY ABRASIVE, CHEMICAL OR CORROSIVE, POWDER OR ANY OTHER STRONG CLEANERS INCLUDING DETERGENTS, WINDOW CLEANERS AND DESINFECTANTS ON YOUR VALLEY PRODUCT AS THEY WILL DESTROY THE FINISH AND THEREFORE VOID THE WARRANTY.

WARRANTY

Valley offers a one year limited warranty against any manufacturer defects. All the installation must be according to the installation instructions provided.



Congratulations you are now a part of the Valley Acrylic Family, and an owner of the best quality sanitation products in the country.