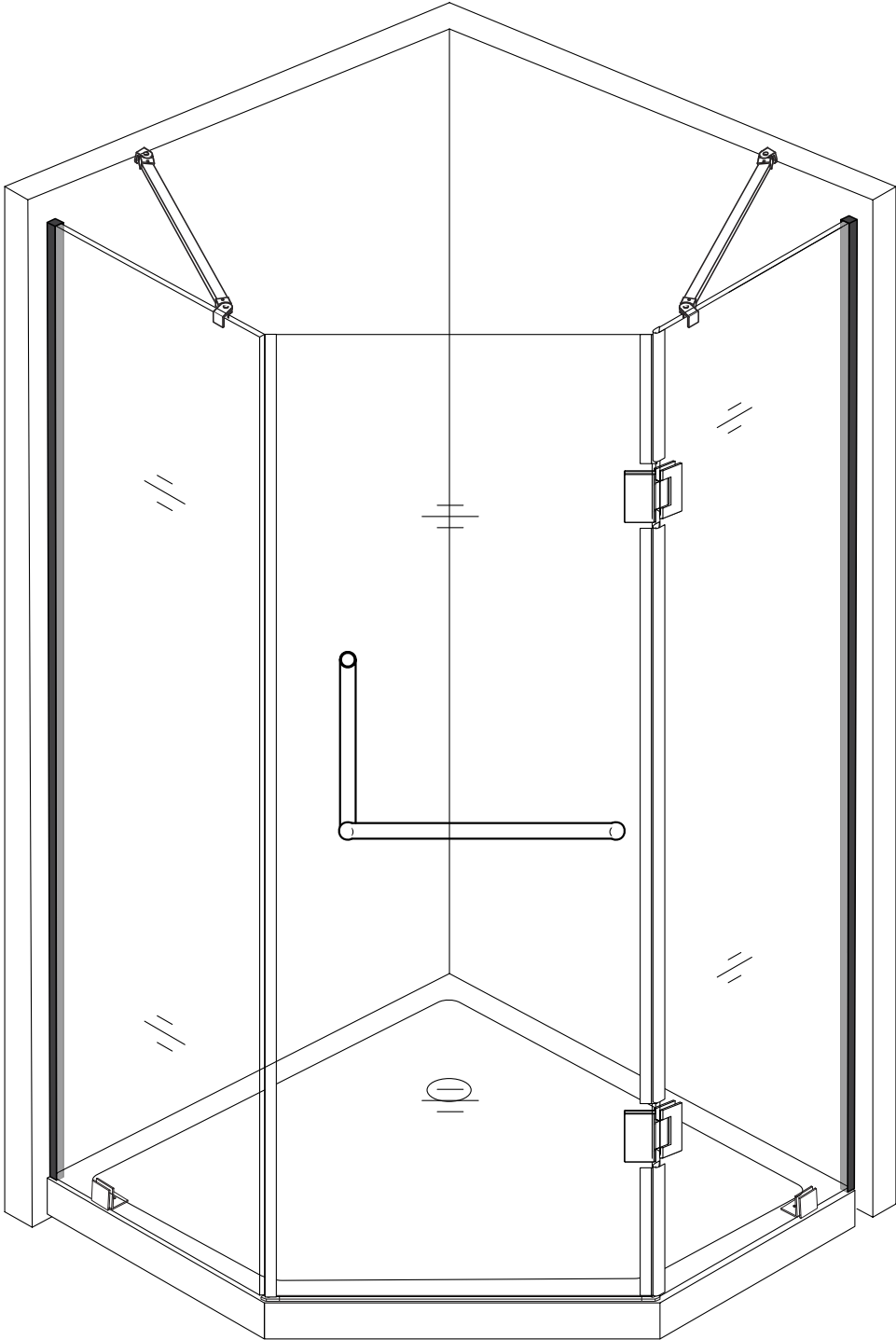


INSTALLATION GUIDE



INSTALLATION GUIDE

Thank you for choosing Valley Products. This installation manual provides general information on the installation of our products.

BEFORE YOU BEGIN

- Prior to installation, examine all boxes and packages for shipping damage and compare the piece count with your packing slip. After opening all boxes and packages read this instruction carefully. Check that all of the needed parts are included in the package by checking off the components on the “Detailed Diagram of Shower Enclosure Components”. If the unit has been damaged, has a finishing defect, or has missing parts, Please contact us for replacements within 3 business days. Please note that we will not replace any damaged product or missing parts free of charge after 3 business days or if the product has been installed.

- Prior to installation, please ensure that the surface is level and solid and will be able to support the total weight of the unit. Also make sure that the walls are plumb. Depending on the type of unit you are installing, some adjustments in leveling may be possible. However, irregular installation surface level or out-of-square conditions can result in serious problems for your installation. Please note that some adjustments and drilling may be necessary. Please protect all primary surfaces of the product during installation.

- **NOTE:** This door is reversible for right or left-hand door installation. The right-hand door installation is shown as an example throughout this manual. For left-hand door installation, simply begin on the opposite wall and reverse the orientation of the steps shown.

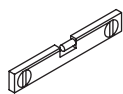


IMPORTANT INFORMATION

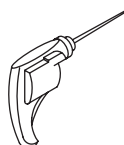


***ALL SHOWER DOORS NEED TO BE DRY-FITTED
BEFORE DRILLING ANY HOLE***

REQUIRED TOOLS



Level



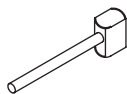
Cordless Drill



1/4" Drill Bit



Silicone Gun



Rubber Hammer



Tape Measure

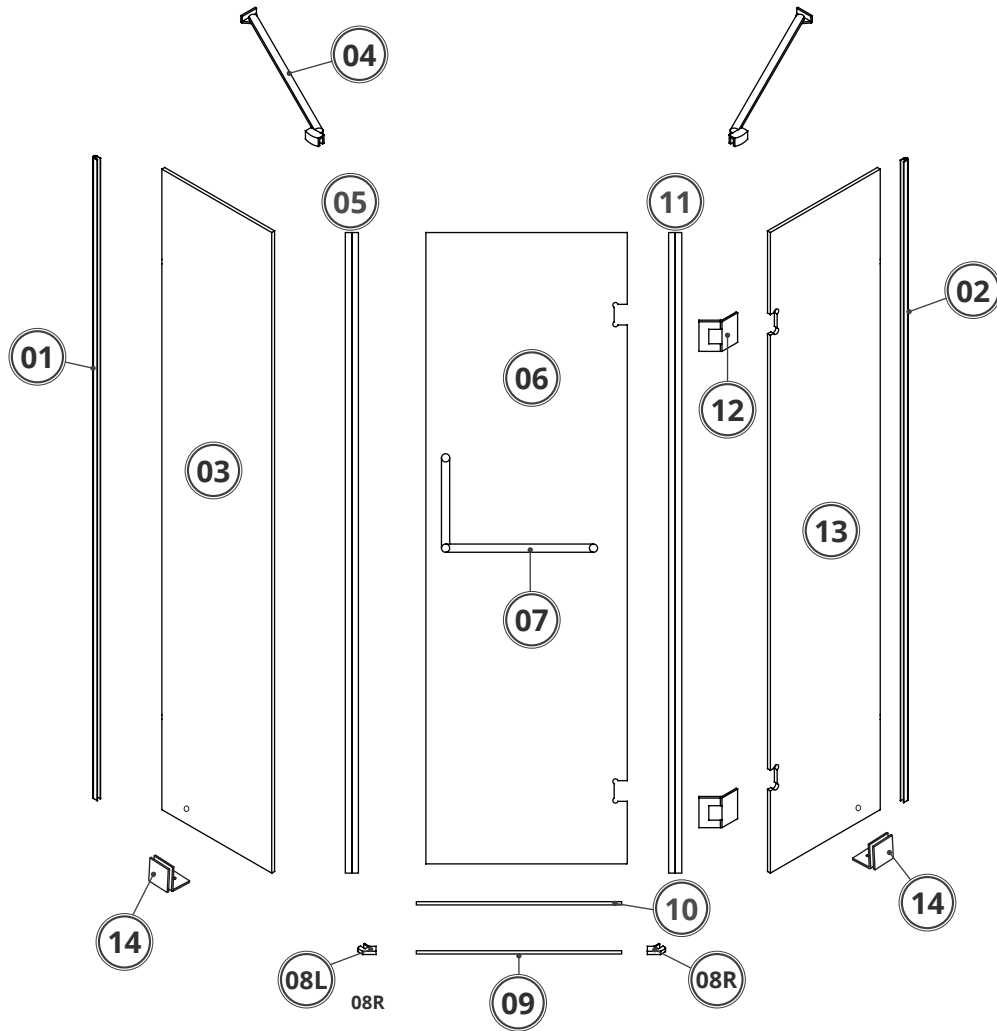


Phillips screwdriver



Pencil

PARTS BREAKDOWN

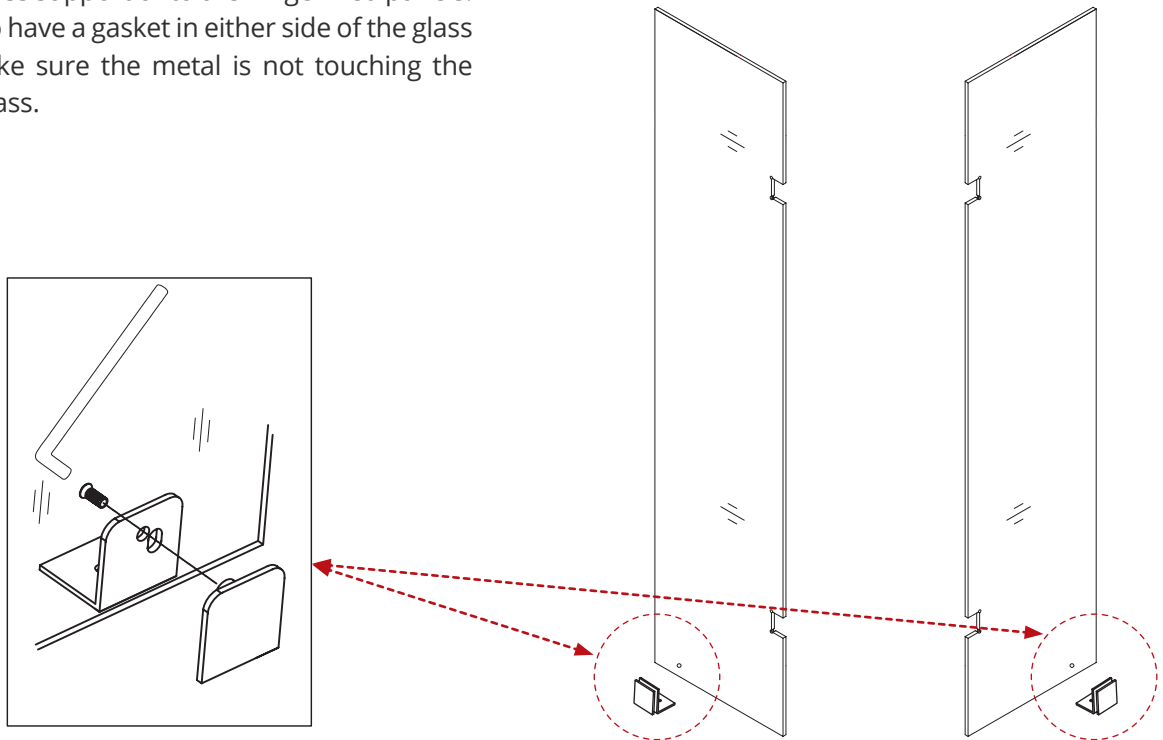


No.	DESCRIPTION	QTY
01	Wall profile	1
02	Wall profile	1
03	Fixed Panel	1
04	Pull Rod	2
05	Magnetic Strip	1
06	Door Panel	1
07	Handle	1

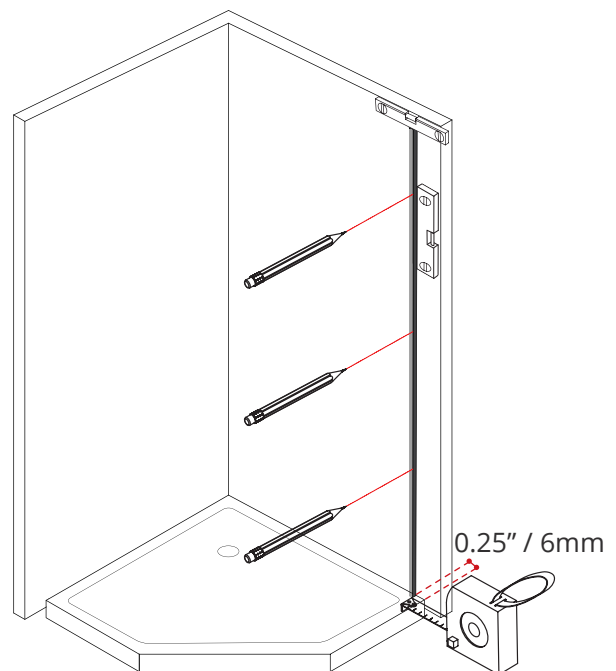
No.	DESCRIPTION	QTY
08	Glass Clips (Left & Right)	2
09	Water Retainer Strip	1
10	Bottom Gasket (Door Panel)	1
11	Gasket (Door Panel)	1
12	Hinges	2
13	Fixed Panel	1
14	Fixed Panel Hinges	2

INSTALLATION GUIDE

- 01** Install the glass support onto the hinge fixed panels. Make sure to have a gasket in either side of the glass door, to make sure the metal is not touching the tempered glass.



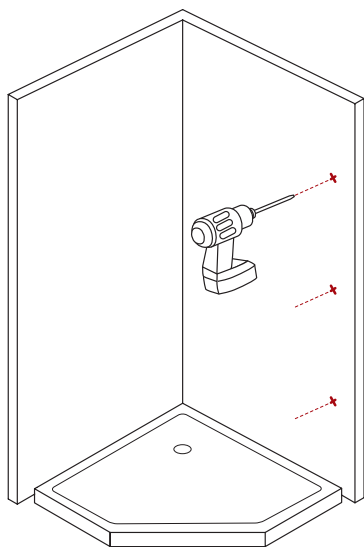
- 02** Position the wall profile on threshold, set back 1/4" back from the front of the threshold base. **Ensure that the wall profile is level.** Mark the screw location & Mark the screw position.



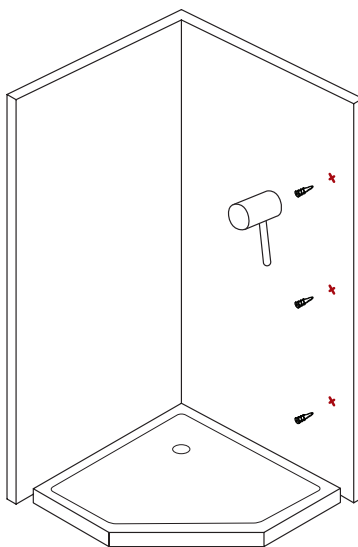
INSTALLATION GUIDE

03

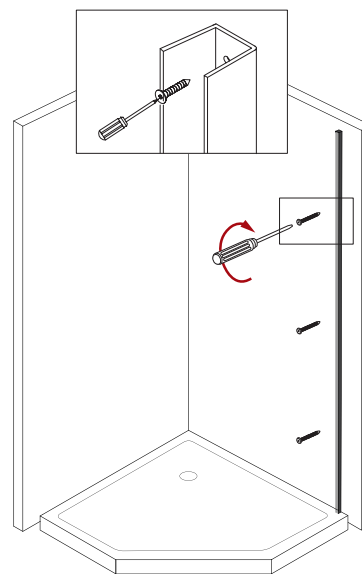
3.1 - Drill the screw holes on wall.



3.2 - Tighten the wall anchor on wall.

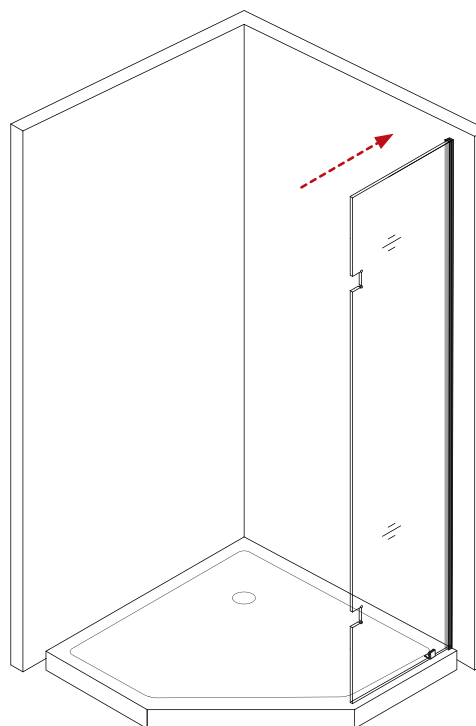
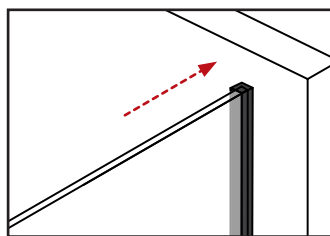
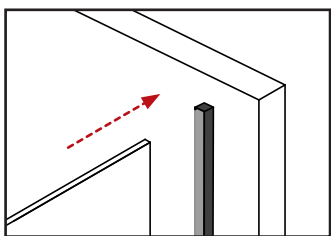


3.3 - Install the wall profile into place



04

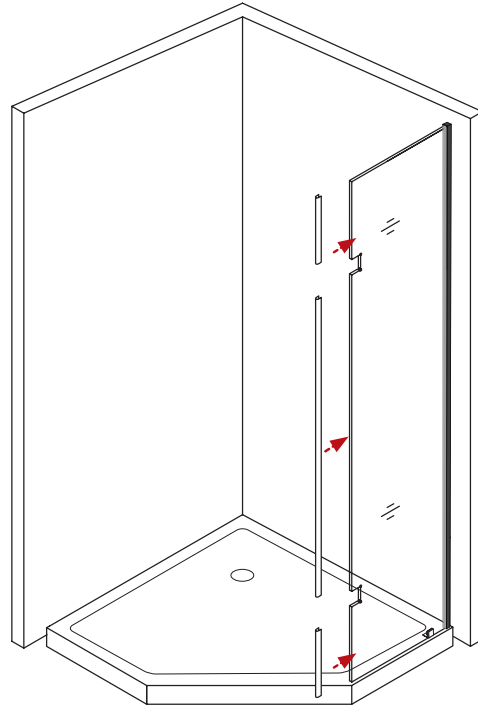
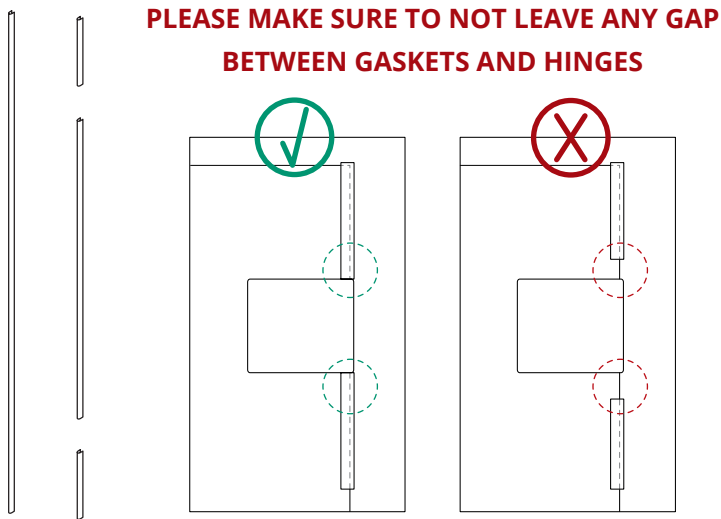
Place the fixed panel on the wall profile.



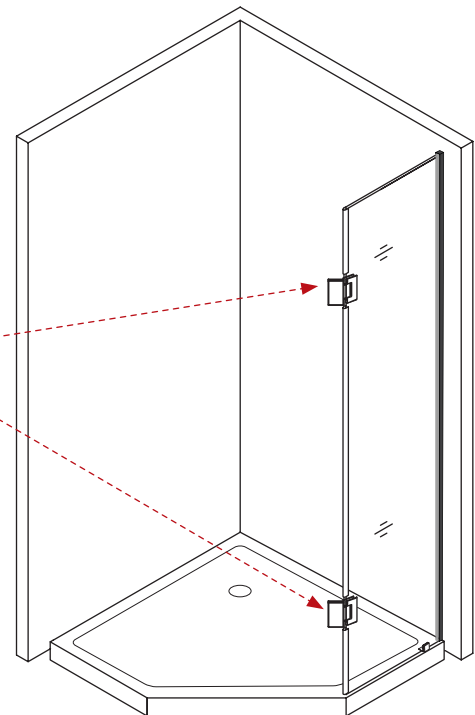
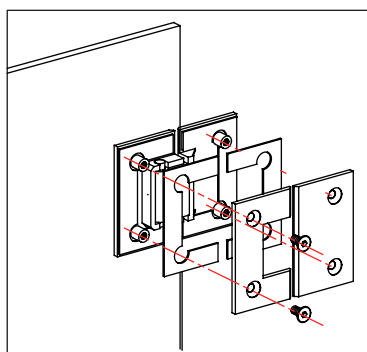
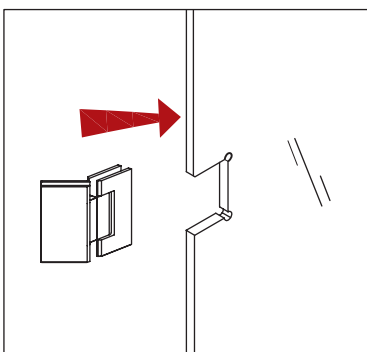
INSTALLATION GUIDE

- 05** Thoroughly clean the edge of the hinge fixed panel.
Install the U-Gasket on the hinge fixed panel.

Cut the gasket in 3 pieces accordingly around the hinges

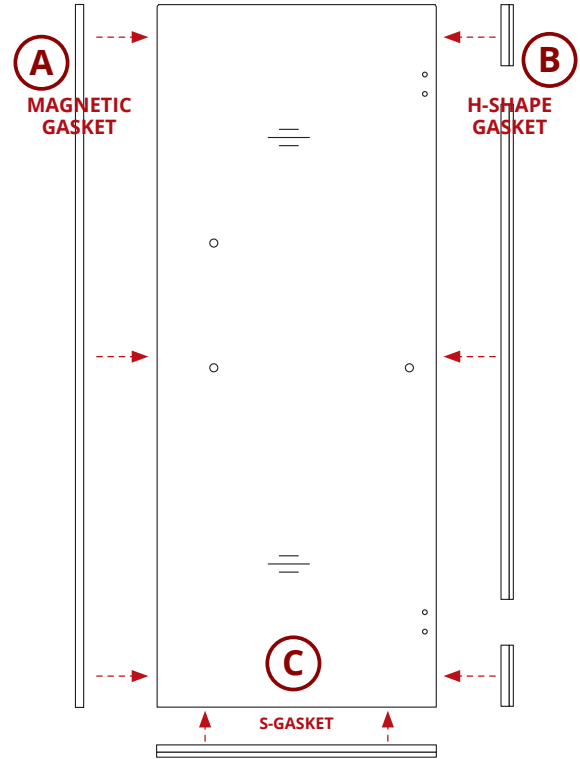
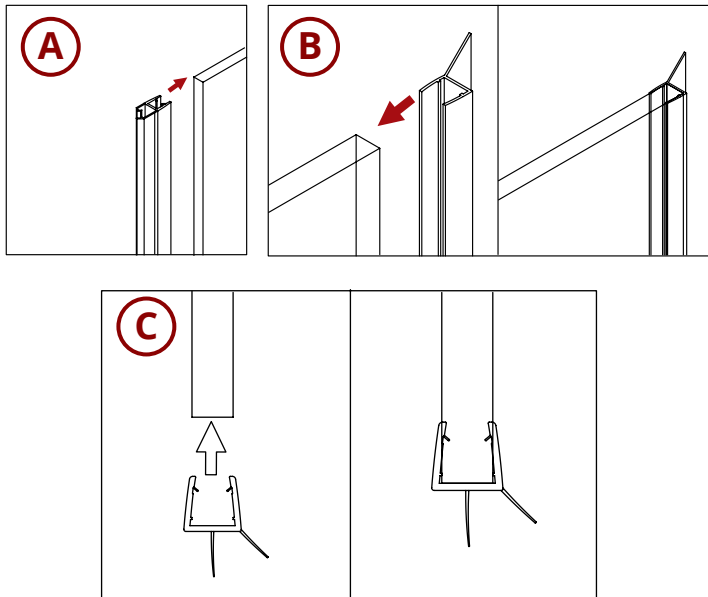


- 06** Install the hinges into the hinge fixed panel.

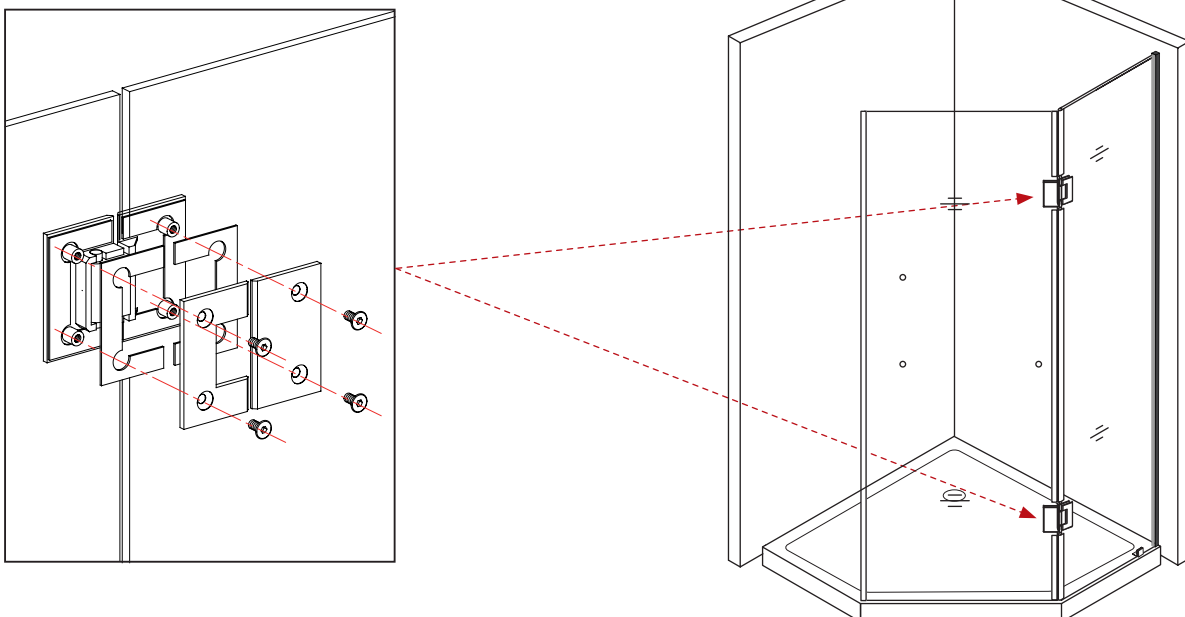


INSTALLATION GUIDE

- 07** Thoroughly clean the edges of the swinging door panel. Install the Magnetic-Gasket and the Anti-water strips (H-shape gasket) onto the swinging door panel.

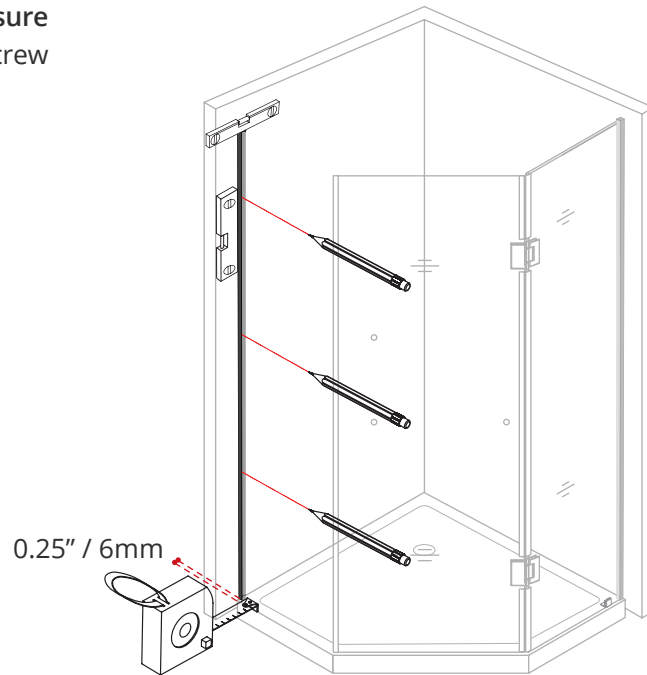


- 08** Install the swinging door panel into place.

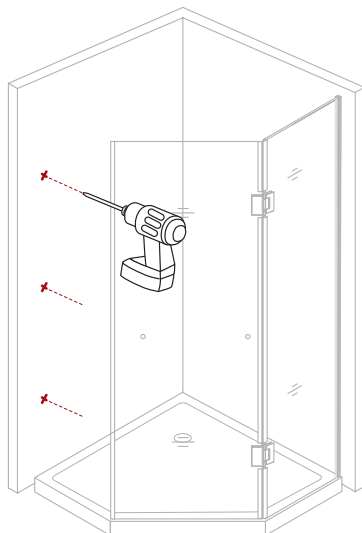


INSTALLATION GUIDE

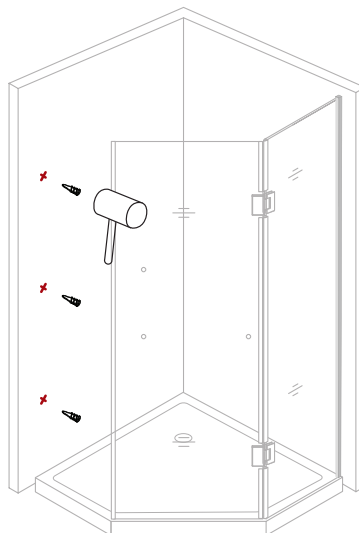
- 09** Position the wall profile on threshold, set back 1/4" back from the front of the threshold base. **Ensure that the wall profile is level.** Mark the screw location & Mark the screw position.



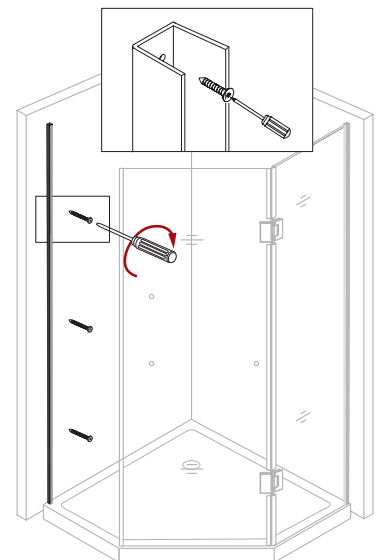
- 10** **10.1** - Drill the screw holes on wall.



- 10.2** - Tighten the wall anchor on wall.

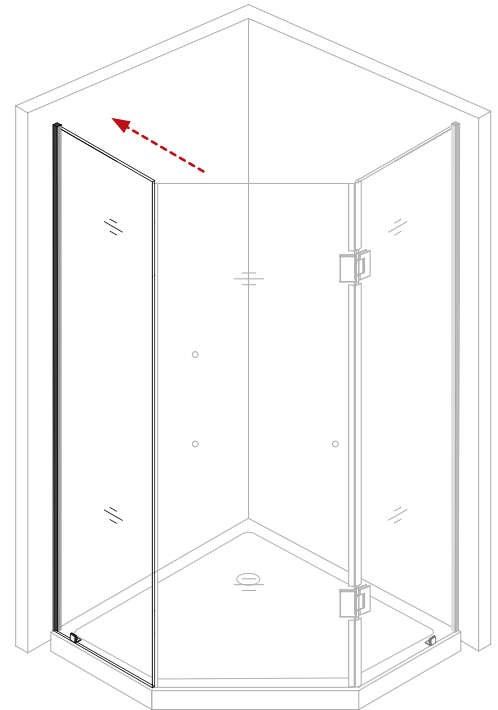
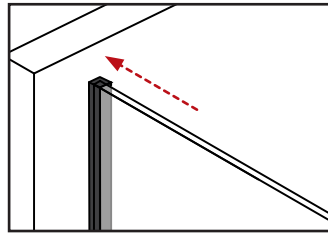
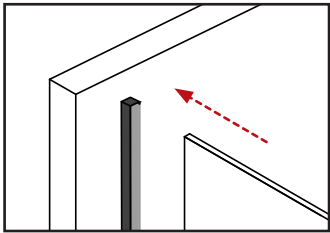


- 10.3** - Install the wall profile into place

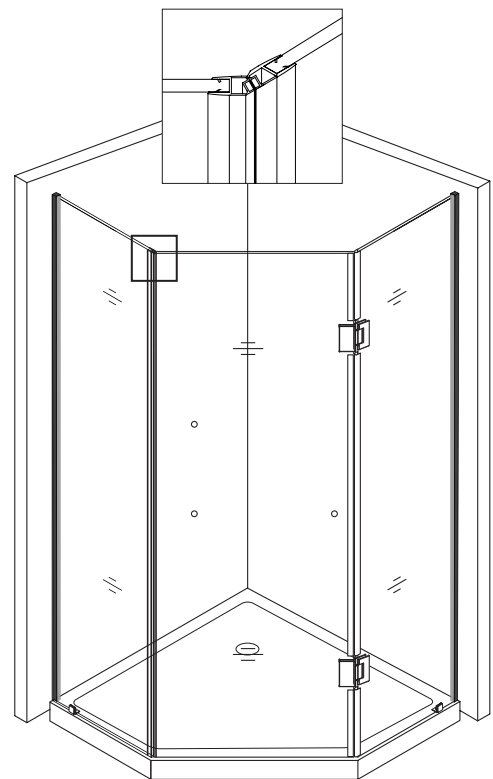
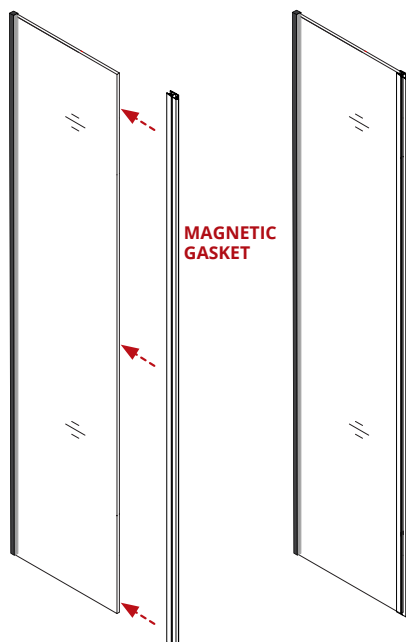


INSTALLATION GUIDE

- 11** Place the fixed panel on the wall profile.

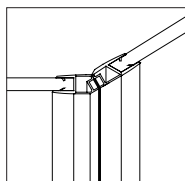
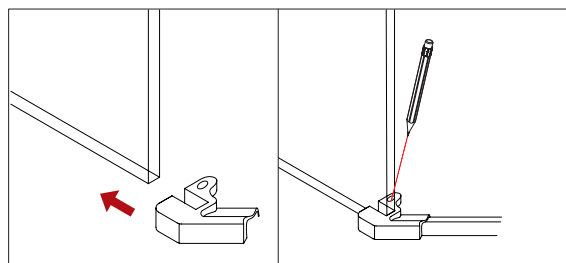


- 12** Thoroughly clean the edge of the fixed panel.
Install the Magnetic-Gasket on the fixed panel.

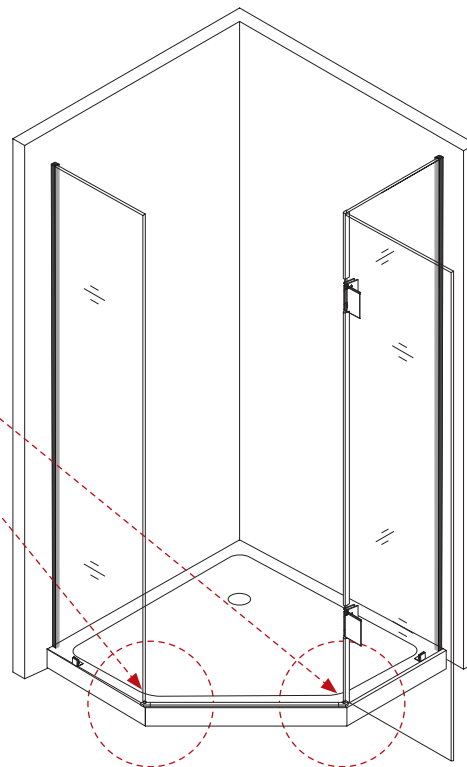


INSTALLATION GUIDE

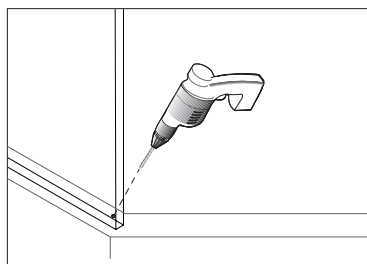
- 13** Position the bottom guides on the threshold.
Mark the bottom guide screw locations.



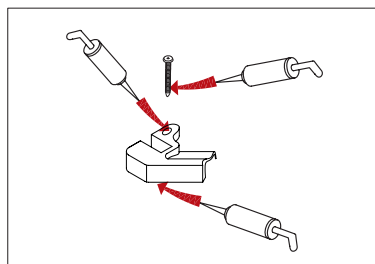
Make sure to align the glass panels properly before marking the screw locations.



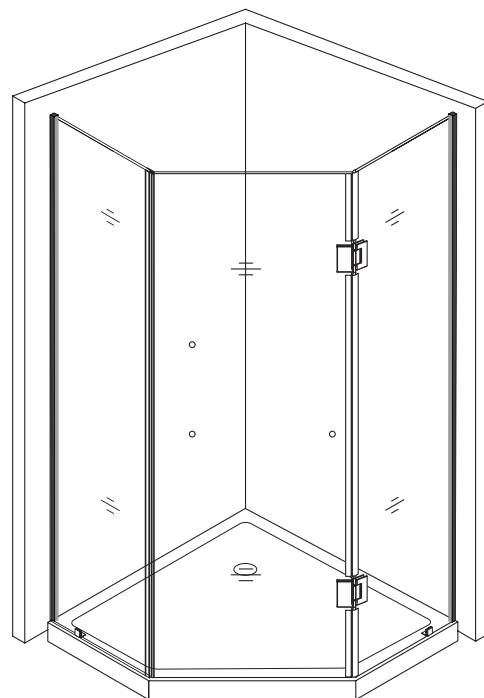
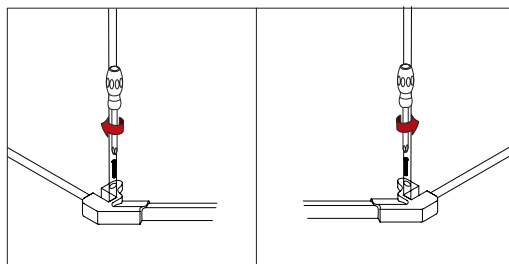
- 14** **14.1** - Drill the screw holes on screw location



- 14.2** - Apply silicone to the bottom guides and screws

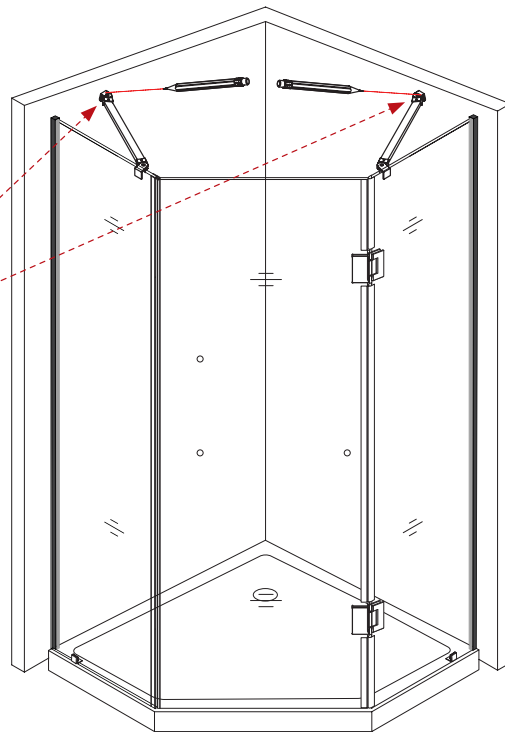
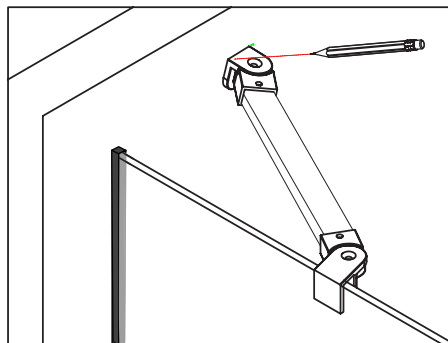


- 14.3** - Install the wall profile into place

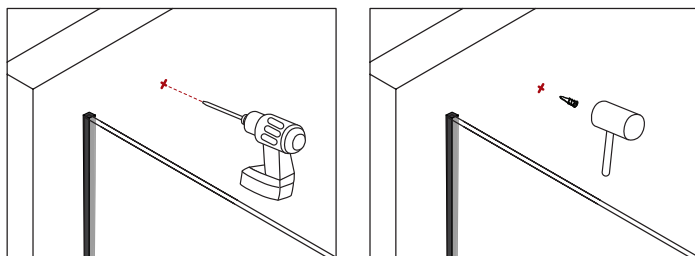


INSTALLATION GUIDE

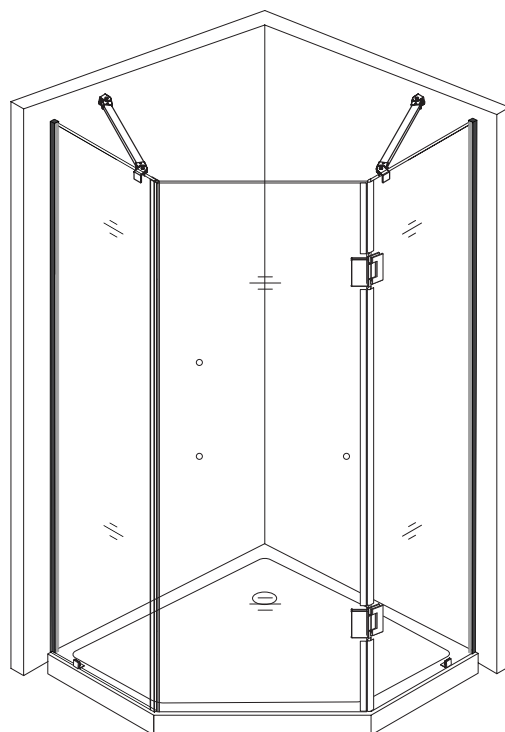
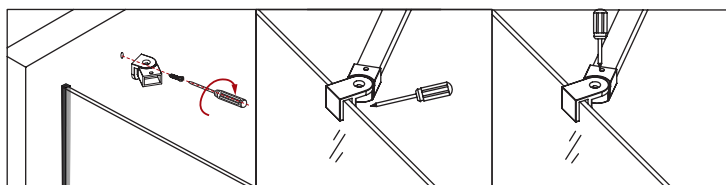
- 15** Position the structural arm into place. Mark the structural panel support screw locations.



- 16.A** Remove the structural arms. Drill the screw holes. Tighten the wall anchor.



- 17.B** Install the structural arms into place.

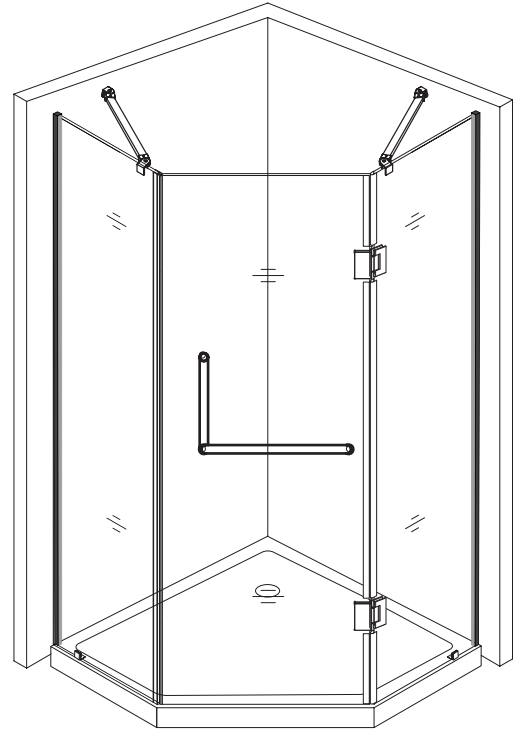


INSTALLATION GUIDE

18

Handle Installation.

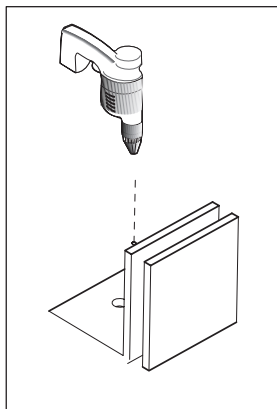
Make sure to have a gasket in either side of the glass door, to make sure the metal is not touching the tempered glass.



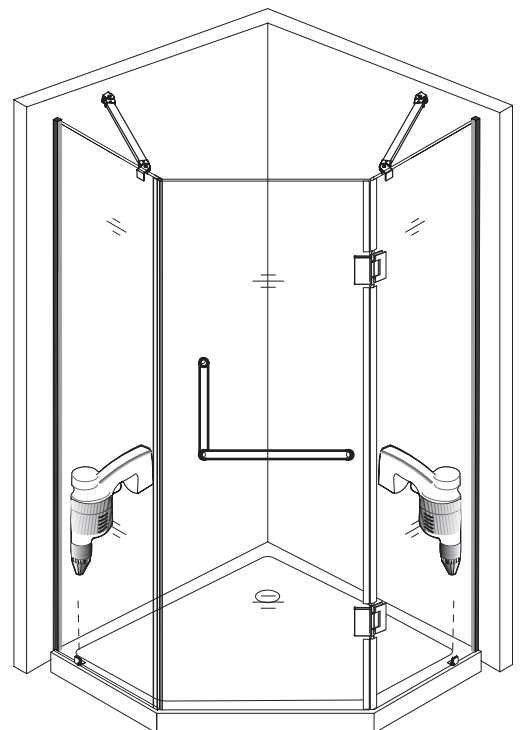
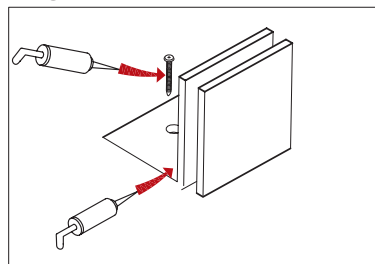
19.A

Fix the hinges to shower base.

19.1 - Pre-drill the screw hole location

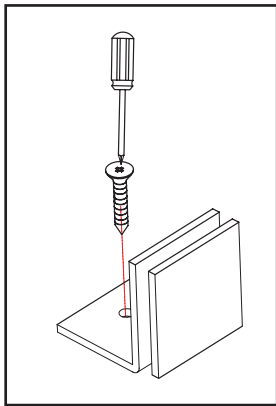


19.2 - Apply silicone to the hinges and screws

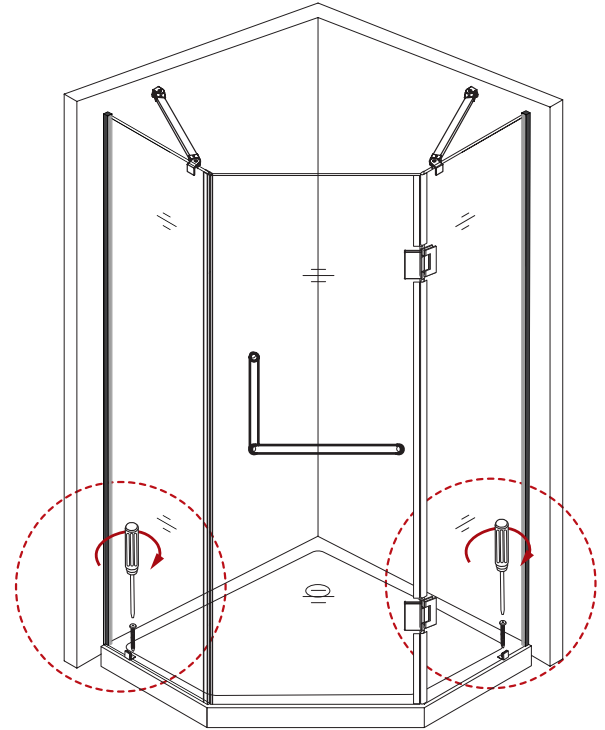


INSTALLATION GUIDE

19.B Fix the hinges to shower base.



19.3 - Hand tighten the hinge to the base

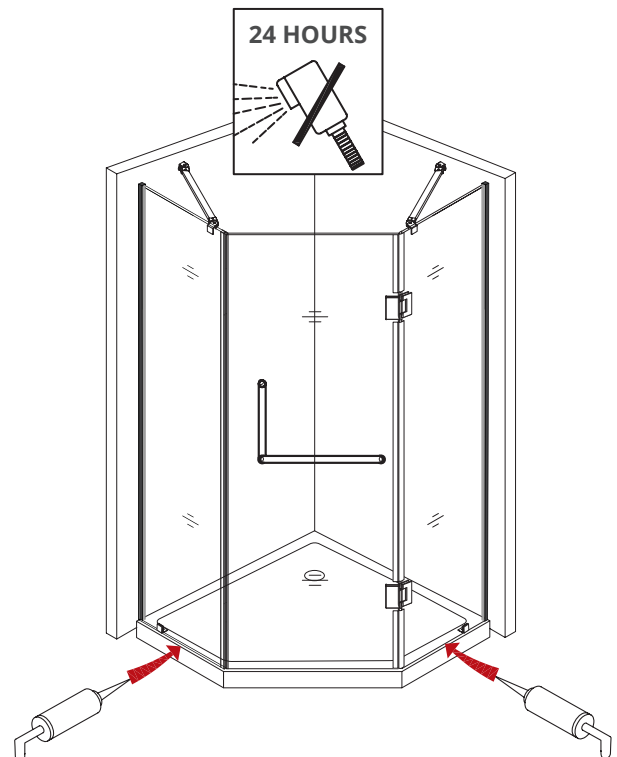


20 Apply silicone between the bottom of the fixed panels and the threshold of the base. Silicone application along the length of the threshold is also suggested. In both cases, it is done from the outside of the shower area.

PLEASE ALLOW 24 HOURS FOR THE SILICONE TO FULLY CURE BEFORE USING THE SHOWER.



- Avoid polishing powder, cleaning powder and any kind of detergent.
- To clean your Valley Shower Door, wash with a wet nonabrasive soapy cloth. Then wipe dry with a soft towel or cloth. We recommend this be done on a regular basis.



INSTALLATION GUIDE



VALLEY[®]

...you dream it, we create it

Congratulations! You are now a part of the Valley Acrylic family.

www.valleyacrylic.com