

# VALLEY<sup>🇨🇦</sup>

## Installation Manual

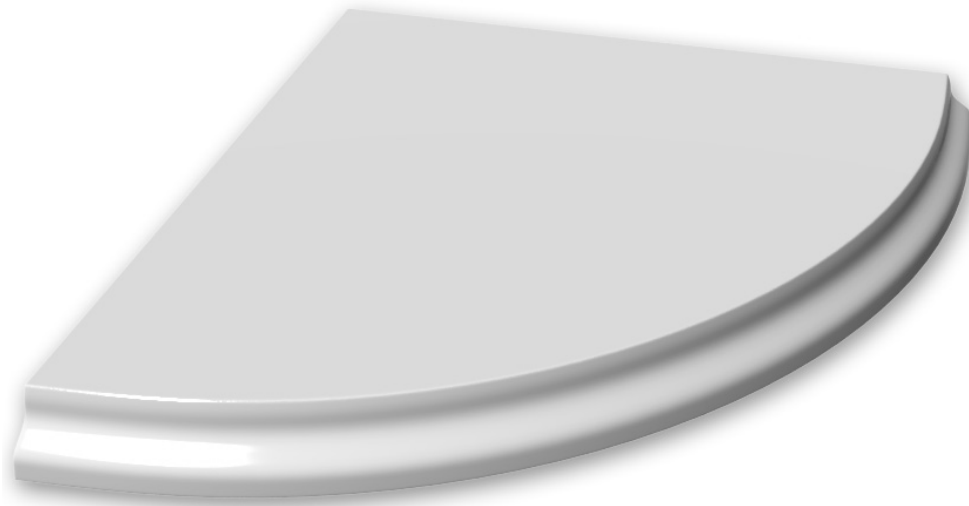
Corner Shelf 9" Inch Soap Dish With Edge

VA87162



# Introduction

Thank you for choosing Valley Acrylic Products. This installation manual provides general information on the installation of our products.



## Before You Begin

- Read the instructions carefully before beginning the installation.
- Consult local building codes to make sure the installation complies with standards.
- Remove the unit from its packaging. Before disposing packaging, and taking the unit from the sales person, inspect the unit to make sure it is in good shape. Should inspection reveal any damage or defect in the finish, contact us.
- The warranty does not cover damages or defects in the finish once the unit has been installed. Valley's responsibility for shipping damages ceases upon delivery of the product in good order to the carrier. All complaints regarding damage due to transport must be made directly to the carrier.
- It is recommended that you place the unit in the bathroom before you start.
- To protect the unit during installation, we suggest that you not remove it from the box until it is time to install.
- Make sure that your bathroom is completed and complies with the appropriate building codes before proceeding.
- Verify that all dimensions on the plan are the same as the ones of the unit.
- Ensure that your bathroom is completely finished prior installing this product.

## Tools Required

- Measuring Tape
- Pencil
- Level
- Hot Glue Gun
- Safety Glasses
- Silicone Sealant & Gun

## Structure Installation

Prior to installing this product, you should complete any bathroom construction and finishing in the case of a renovation. This product is meant to be installed in a finished shower space to best to achieve your desired final look.

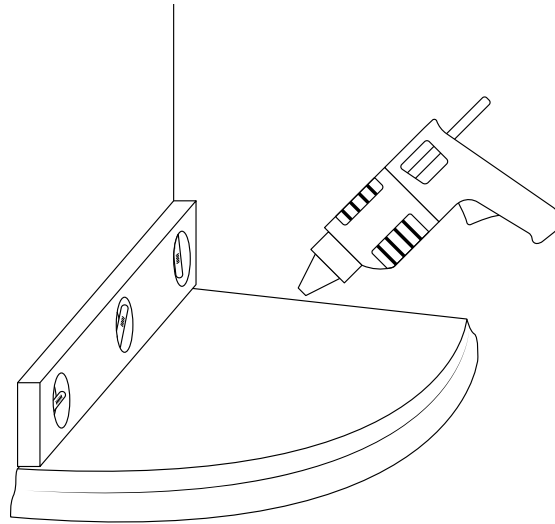
# Levelling & Support

It is important to ensure that the wall intended for the installation is well cleaned prior to installation to ensure maximum performance of the product.

This product must be supported at as level an angle as possible; we recommend drawing a faint line in pencil onto the installation space using a level tool to ensure proper alignment. Use this line if necessary to properly fix the product into position.

To properly support the unit in position for final installation, use a hot glue gun to run a thin bead of glue along the top and bottom of the product to temporarily affix it to the wall. Once complete, confirm that the unit is as level as possible with the walls.

Fig. A

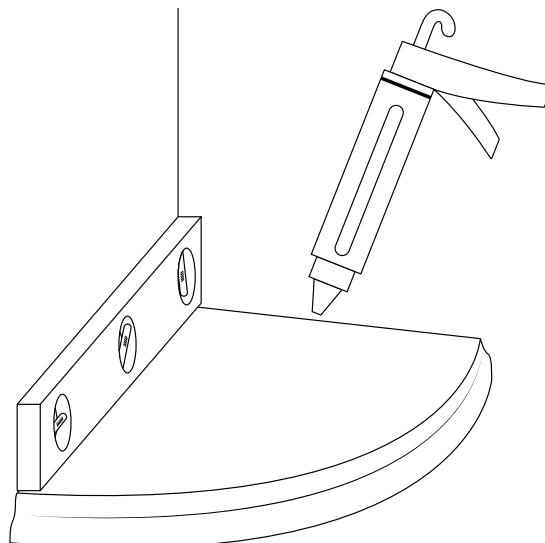


# Installation

Once satisfied with the positioning, use a silicone gun to run a thin line of silicone sealant around the top and bottom of the product where the soap dish meets the wall. Check to ensure that the soap dish is pushed tightly into the wall surface for this step to ensure a full seal.

Once completed, let dry for 24 hours to ensure a proper adhesion to the wall and the unit will be ready for use!

Fig. B



## Finishing Up

Re-measure the levelling of your soap dish to ensure it is as straight as possible for best use. Inspect edges for imperfections in the silicone sealant and fill in any cracks or holes in that layer of sealant. Optionally, if you have bumps or other imperfections in the silicone layer, you can use a fine-grit sand paper on the silicone to gently smooth the surface. Ensure the sand paper does not come into contact with the surface of the product or damage to your finish may occur. Finish up with a gentle wipe down with a non-abrasive cleansers to remove any remaining grit.

## Maintenance

Regular disinfectants provide an effective defence against various types of bacteria susceptible of developing in the deposits that build up over time on all bath products.

For daily cleaning, use a moist cloth and gentle liquid detergent.

Do not use abrasive cleaners, scrapers, metal brushes, or any items or products that could scratch or dull the surface.

Paint stains: Use either turpentine or a paint thinner.

Joint compound: Use a plastic or wood spatula covered with a damp cloth. Do not use a metal blade or a metal brush. Ignoring these recommendations will cause damage not covered by the warranty.

Congratulations you are now a part of the Valley Acrylic Products Family, and an owner of the best quality sanitation products in the country.

Valley Acrylic Products

33778 North Railway Ave  
Mission BC ,V2V 1H6

Toll Free 1 877 398 TUBS (8827)  
Fax (604) 820 0124  
purchasing@valleyacrylic.com  
www.ValleyAcrylic.com