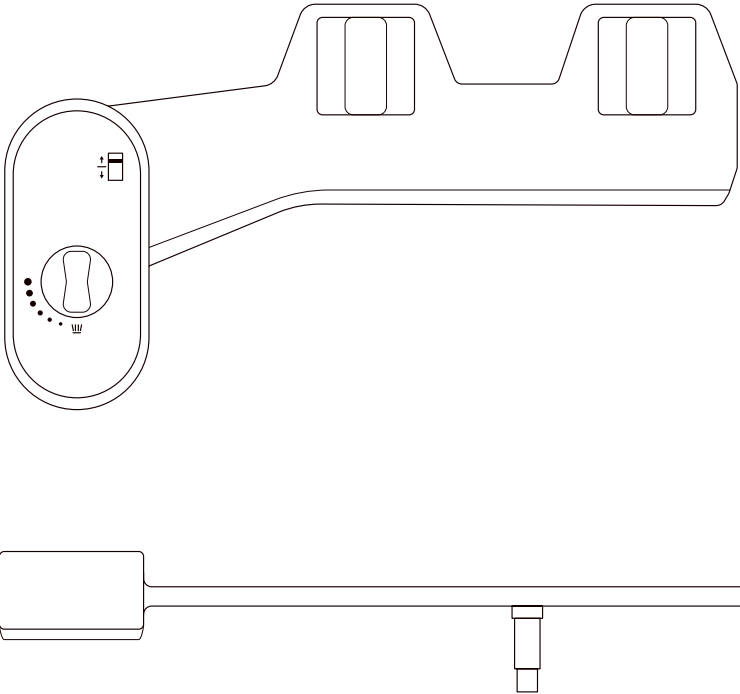


INSTALLATION GUIDE



INSTALLATION GUIDE

Thank you for choosing Valley Acrylic Products. This installation manual provides general information on the installation of our products.

BEFORE YOU BEGIN

- Read the instructions carefully before beginning the installation.
- Consult local building codes to make sure the installation complies with standards.
- Remove the unit from its packaging. Before disposing, packaging and taking unit from your sales person, inspect the unit to make sure it is in good shape.
- Should inspection reveal any damage or defect in the finish, Contact Us. The warranty does not cover damages or defects in the finish once the unit has been installed. Valley's responsibility for shipping damages ceases upon delivery of the product in good order to the carrier. All complaints regarding damage due to transport must be made directly to the carrier.
- It is recommended that you place the unit in the bathroom before you start. Sectional units should be disassembled if necessary. Conserve all nuts and bolts.

REQUIRED TOOLS

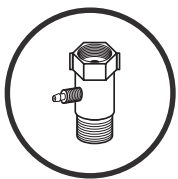


WRENCH

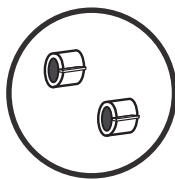


SCREWDRIVER

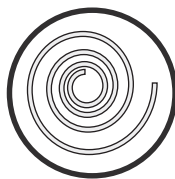
INCLUDED PARTS



ADAPTER

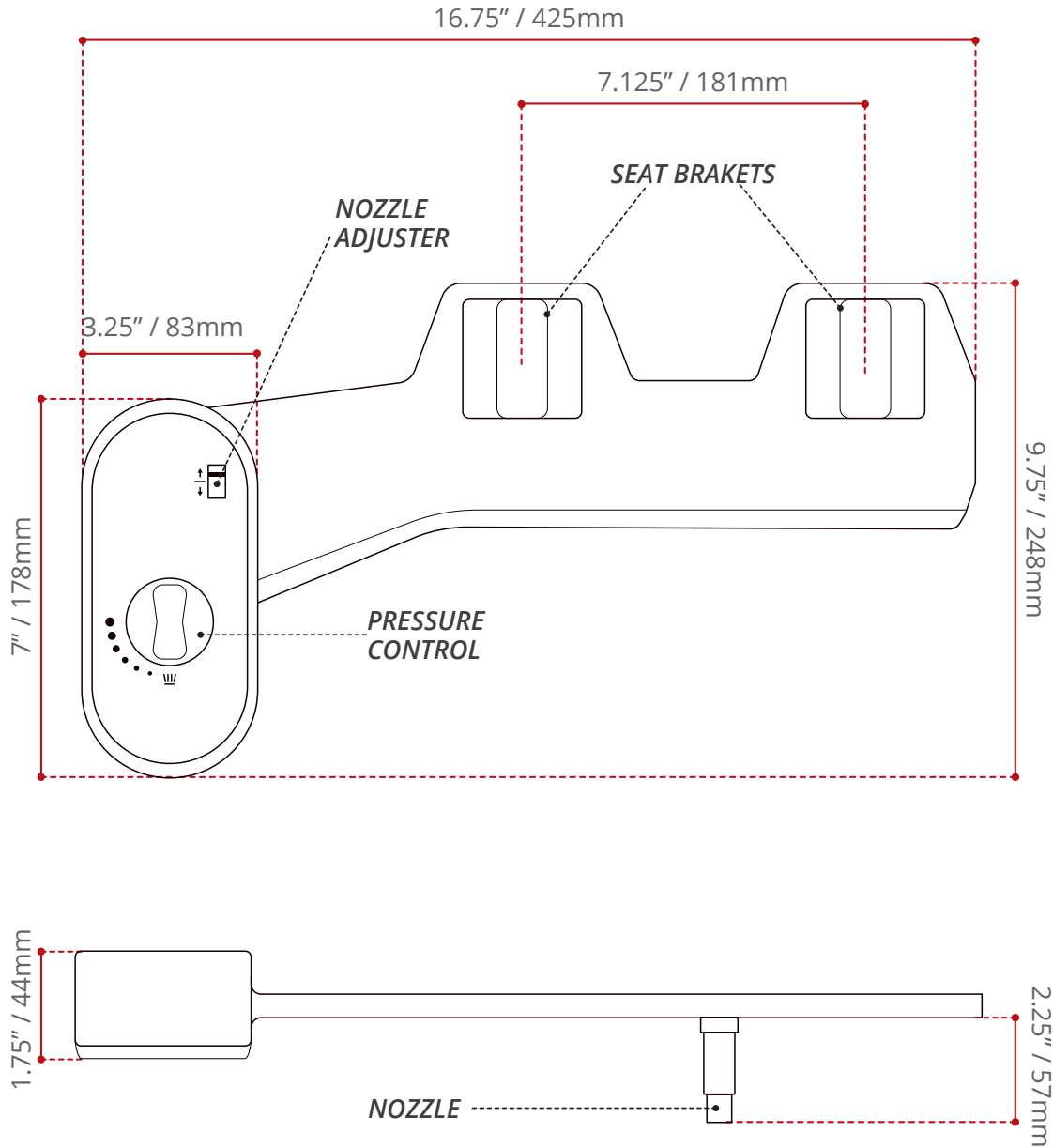


LOCK NUTS



HOSEPIPE

INSTALLATION GUIDE



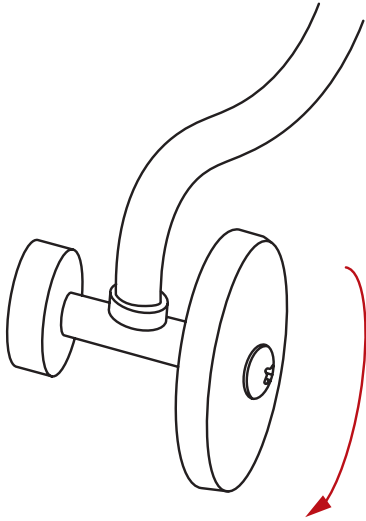
DISCLAIMER:

Measurements may vary $\pm \frac{1}{4}$ "
(Diagram Not to scale)

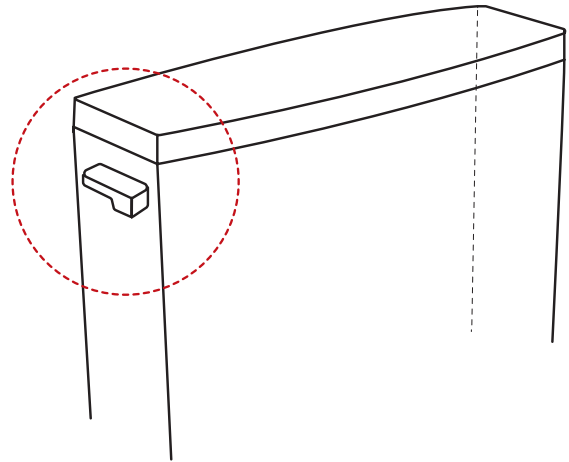
Valley Bidets are warranted for residential use for a period of 1 year from the original purchase date, against any failure from improper manufacturing defects.

INSTALLATION GUIDE

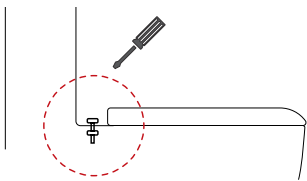
- 01** Turn off the water valve near the toilet.



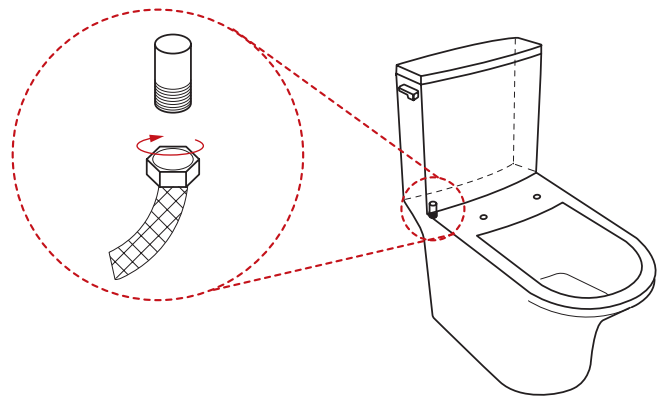
- 02** Flush your toilet to drain the tank completely. Hold down that flusher until it empties! (A couple inches of water is okay.)



- 03** Flip up the screw caps behind the seat with a screwdriver to access the screws. You may need to hold the bolt beneath the screw with your other hand while unscrewing. Remove the seat and set aside.



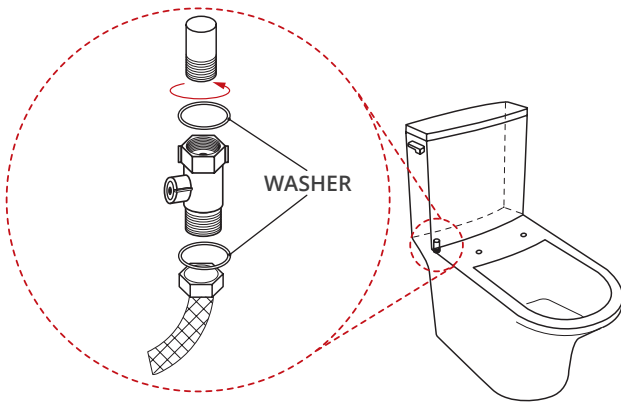
- 04** Disconnect the existing flexible hose from your toilet tank. To unscrew the connection, turn left.



INSTALLATION GUIDE

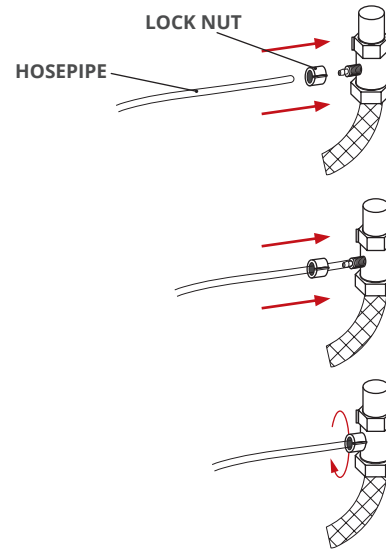
05

Place the rubber washer in the adapter. Screw the adapter onto the tank connection and then attach the flexible hose to the bottom of the adapter. **Do not over tighten**



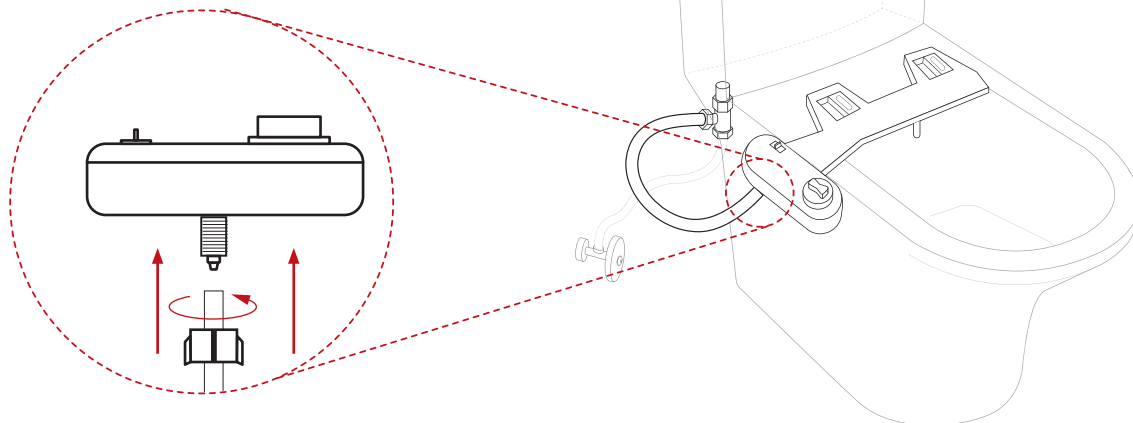
06

Attach the transparent hosepipe into the adapter and secure with the lock nut.



07

Connect the other end of the transparent hosepipe to the port under your CSB001-1 Bidet and secure with the lock nut. Make sure all the connections are secure and turn on the water supply.



INSTALLATION GUIDE

08

Once all water connections have been made, check for possible leaks.

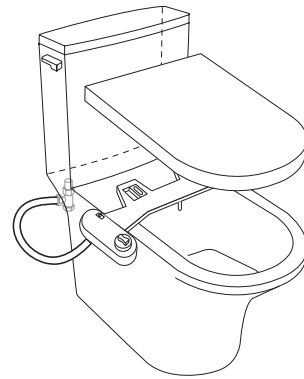


09

Place your CSB001-1 bidet on top of your toilet and align the seat brackets with your toilet seat mounting holes.

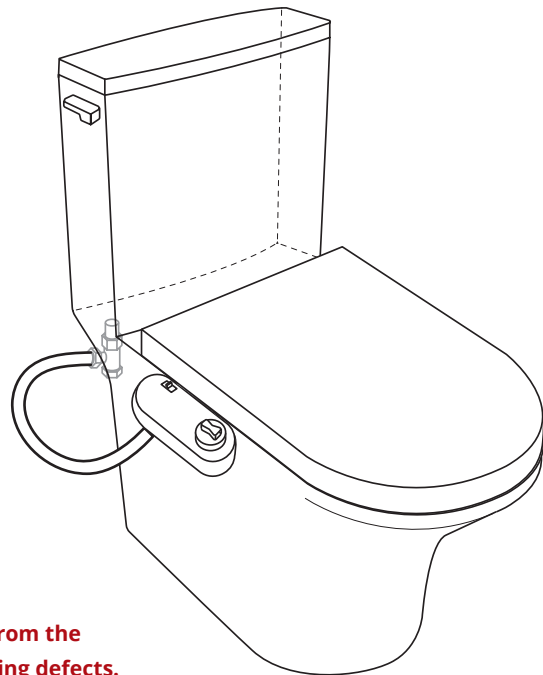
Make sure the nozzle is centered to your toilet bowl for that precise spray of water.

Adjust your CSB001-1 bidet if necessary



10

Secure the toilet seat on top of the CSB001-1 bidet by threading the toilet seat bolts through the seat fasteners and the mounting holes.



Valley Bidets are warranted for residential use for a period of 1 year from the original purchase date, against any failure from improper manufacturing defects.



Congratulations! You are now a part of the Valley Acrylic family.

