

VALLEY[®]

VA-0031

INSTALLATION MANUAL



VALLEY[®]

VA-0031

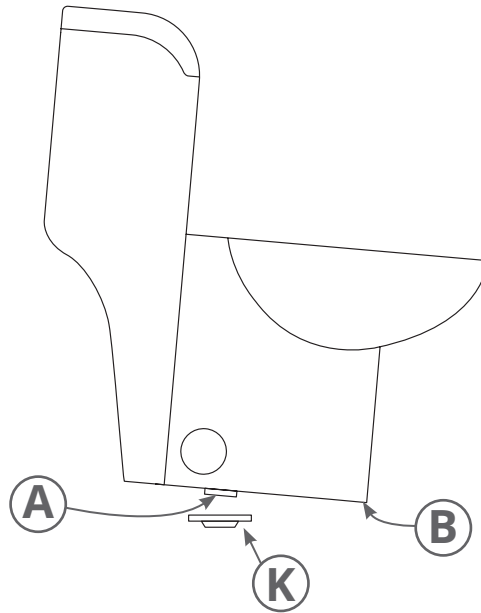
INSTALLATION MANUAL

STEP 1

- Inspect the bowl tank and lid before installation

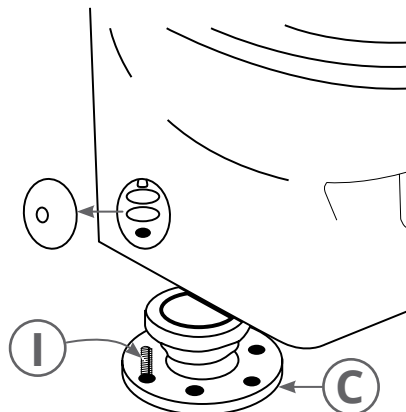
STEP 2

- Tilt toilet and install outlet seal "K" on exit tube "A"
- Apply 1/8" of caulking (not supplied) to outer edge of Bowl "B"



STEP 3

- Remove side caps
- Place bolt "I" in floor flange "C" and install the toilet.



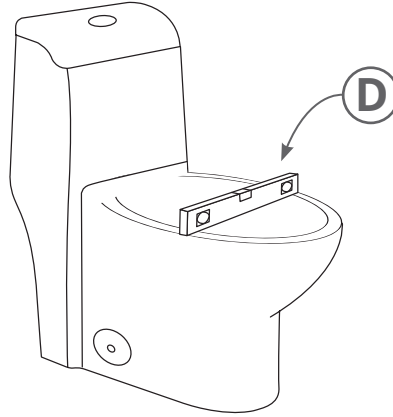
VALLEY[®]

VA-0031

INSTALLATION MANUAL

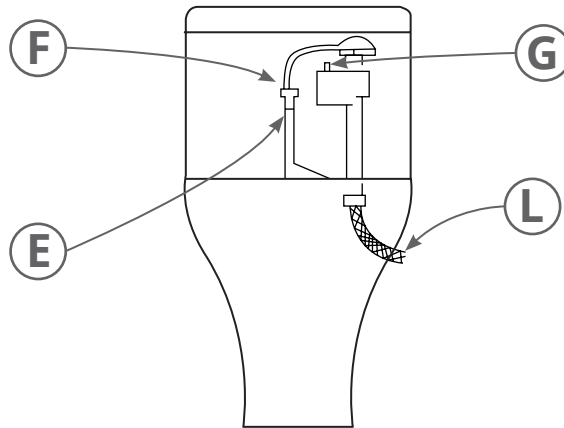
STEP 4

- With a spirit level check bowl is level "D", Shim as requested.



STEP 4

- Connect supply line "L" (not supplied) and fill tank.
- Adjust water level if required to level indicate "E" on the overflow tube "F", Turn adjusting Rod "G" right to lower and left to raise water level.



STEP 5

- Check for leaks.
- Install seat.

**Cleaning instruction-use none abrasive household cleaner and a soft cloth.
Replacement parts available at any plumbing retailer.**