

LIFE 3 INSTALLATION GUIDE

Thank you for choosing Valley Acrylic Bath. This installation manual provides general information on the installation of our products.

All the information in this guide is based upon the most recent product information available at the time of this publication. Valley Acrylic reserves the right to make changes to product characteristics, packaging, or availability at any time without notice.

Thank you for your purchase!

BEFORE YOU BEGIN

- Please read these instructions carefully before beginning your installation.
- Consult your local building codes to ensure that your installation complies with local standards.
- Remove the unit from its packaging. Before disposing, packaging and taking unit from your sales person, inspect the unit to make sure it is in good shape.
- Should inspection reveal any damage or defect in the finish, Contact Us. The warranty does not cover damages or defects in the finish once the unit has been installed. Valley's responsibility for shipping damages ceases upon delivery of the product in good order to the carrier. All complaints regarding damage due to transport must be made directly to the carrier.
- To protect the unit during installation, we suggest that you lay a piece of flat cardboard on the bottom and a moving blanket until you are ready to install it to prevent damage.
- Do not remove the protective polyethylene film from your product until installation is completed to ensure maximum protection from inadvertent damage, except in areas where two surfaces will be in permanent contact.
- Ensure that the floor is level and strong enough to support the weight of the unit.
- If your bathtub is equipped with both a whirlpool and an air system, space must be made for the air system's blower either inside or outside the alcove or island. If the blower cannot be installed under the bathtub, it can be located up to 9 feet away.
- Make sure an access panel - 30" x 15" (750 mm x 400 mm) must be located near the whirlpool pump and/or the air system blower to allow easy servicing.
- Access must be provided for each product component (water heater, light, nozzle, electronic and air control, faucet).
- Whirlpool and/or air systems must be connected before final installation (see the installation and user's guide for whirlpool and air systems).
- Please refer to your product's specification sheet and ensure that both your unit and build plan measure match the stated sizes.



IMPORTANT INFORMATION

STRUCTURE INSTALLATION

DO NOT build the surrounding structure before receiving your unit. Structure measurements should be verified against the unit to ensure a proper fit.

PLUMBING

Make sure you install all plumbing and drainage before securing the unit. It is always recommended to have a Red Seal certified plumber do the plumbing installations.

Before drilling a hole in the floor for the drainpipe, make sure there are no hidden elements underneath (pipes, floor joists, heating ducts, electrical wires, etc).

LEVELING AND SUPPORT

You should check the leveling of this unit repeatedly during installation to see the best results.

REQUIRED TOOLS

- Measuring Tape
- Pencil
- 3/16" (5mm) and 1/8" (3mm) drill bits
- Hole saw
- Electric drill
- Screwdriver
- Pliers
- Cutting Saw
- Level
- Safety glasses
- Water-resistant glue
- Silicone sealant
- No 8 x 1 1/4" screws (4.2mm x 32mm) Flat or Phillips head
- Mortar



TESTING YOUR LIFE 3 WALK-IN TUB BEFORE INSTALLATION

1. LIFE 3 walk-in bathtubs are 100% water tested at the factory and have passed inspection.

Transportation and mishandling may loosen fittings and cause leaks. It is therefore ***necessary to test the bathtub while there is access to all sides of the bath.***

2. The LIFE 3 needs to be filled with water and inspected for leaks along the door as well as the Pedicure System. The inspection needs to be performed with and without the Pedicure System operating. It is best to test the unit outside by filling with a garden hose.

a. Place the tub on a completely flat surface in an area where it may be drained after testing.

b. Using a clean rag and warm water wipe down seal to insure it is free of debris.

c. Seal the drain hole (this can be done with tape) and fill the tub to at least three inches above the highest jet, or to the bottom of the safety bar if no jets are present.

d. Allow the water to stand in tub for 30 minutes and then inspect all plumbing and seals for leaks.

e. Using appropriately rated three-prong extension cords, all plugged in to separate outlets, operate all electrical components (air blower, water pump, and heater if applicable) for another 30 minutes and inspect for leaks again. Inspect the unions around the pump and heater.

f. If a leak persists at a union after tightening, it may have been over-tightened or might have a displaced O-ring. Disassemble it and make sure the O-ring was seated properly. Do the same if a leak persists at the heater. Verify that the heater threads match the pipe threads.

g. Ensure that all jets are open and working, some jets are adjustable for both flow rate and direction of flow. The jet water flow rate is adjusted by turning either the outside ring or the inside nozzle clockwise or counterclockwise.

3. If the pump/blower/lights/heater does not operate:

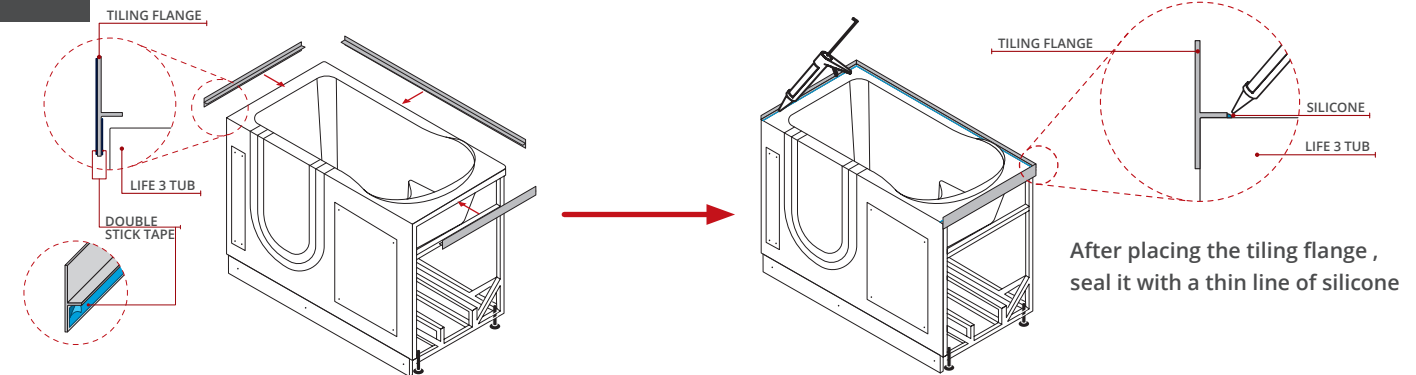
a. Check the breaker to ensure that power is on and make sure that any cables and / or air lines connecting the control boxes to the switches and pumps are firmly attached. Verify the correct electrical circuit and amps of the electrical cord.

b. Do not run any pumps unless the tub is filled with water to the proper level. Damage due to dry operation of pumps is not covered under the warranty period.

Failure to perform these tests before installation will make the installer liable for future repair costs.

 **TWO (2) PEOPLE REQUIRED** 

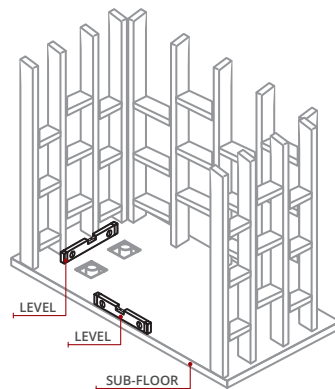
01 Place the tiling flange to the LIFE3 tub as shown.



02 Check Installation area

- Clean area of any debris or trash.

- Use a level and determine if the floor is level. If the floor is not level, adjust all leveling feet to perfectly level the tub. **(STEP 4)**

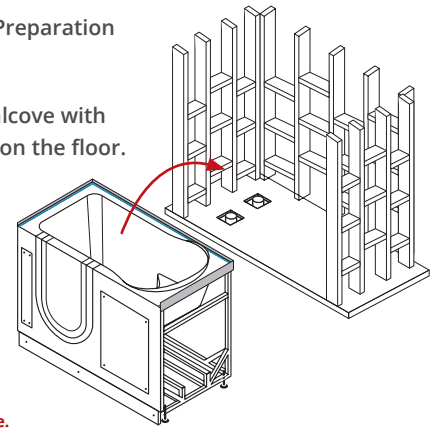


03 Installation Preparation

Place the tub in the alcove with the front skirt firmly on the floor.



Note: All plumbing hardware (drain/waste overflow, water supply) must be installed prior to setting the bathtub in place.

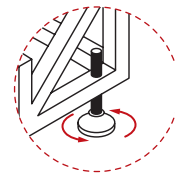
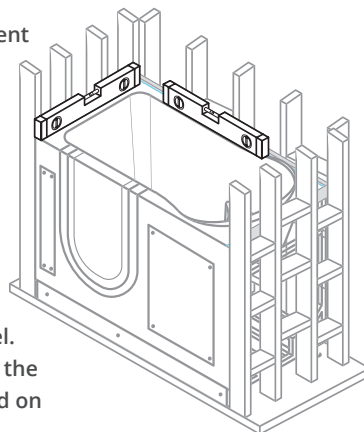


04 Leveling feet adjustment

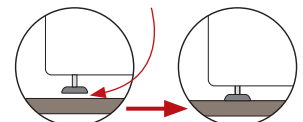


Note: It is important that the tub is properly level. Not following this instruction can cause the door to not close properly.

- The bathtub must be set level. To check, use a level on top of the ledges on both ends of tub and on top of dam



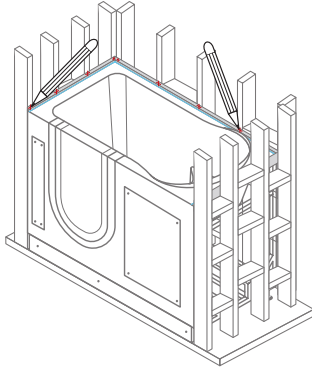
Note: There must be NO gap between the floor and leveling legs



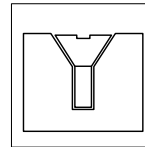
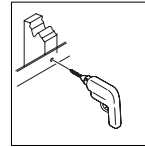
Note: It is important that all leveling feet are completely touching the floor and level for the unit to work properly.

 **TWO (2) PEOPLE REQUIRED** 

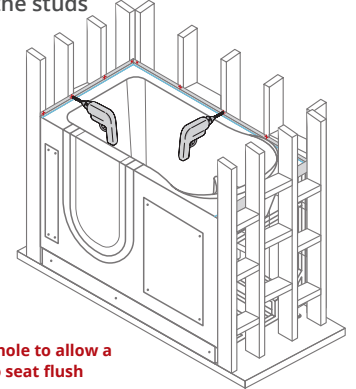
05 Using a pencil, mark the shower base flange where the wall studs are.



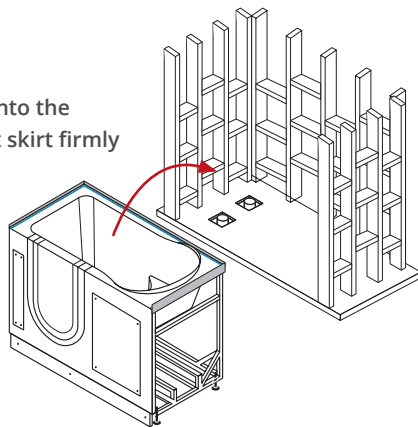
06 Pre-Drill small pilot holes through the flange at the studs



Countersink the hole to allow a flathead screw to seat flush

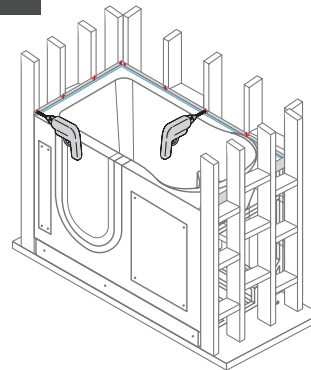


07
Place the tub back onto the alcove with the front skirt firmly on the floor.

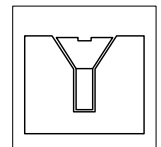
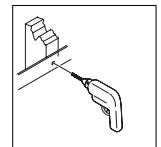


Note: All plumbing hardware (drain/waste overflow, water supply) must be installed prior to setting the bathtub in place.

08 Securely screw tub into frame.

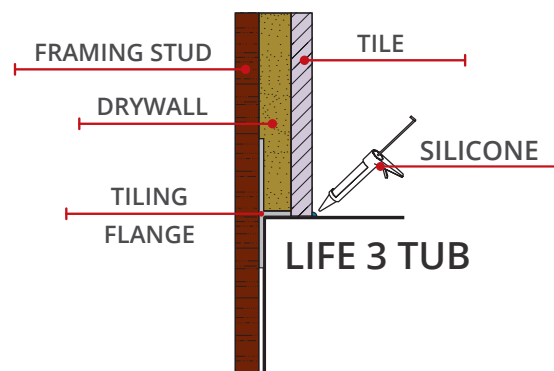


Countersink the hole to allow a flathead screw to seat flush



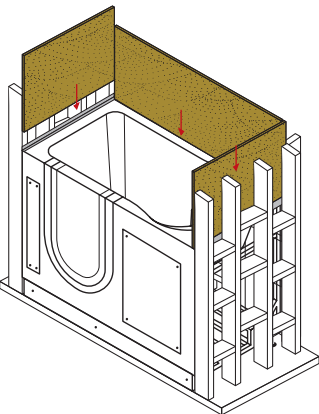
09 PLYWOOD & TILE INSTALLATION DIAGRAM

- Install the plywood flush with the tiling flange
- Place the desire tile on top of the tub
- Apply silicone to seal gaps

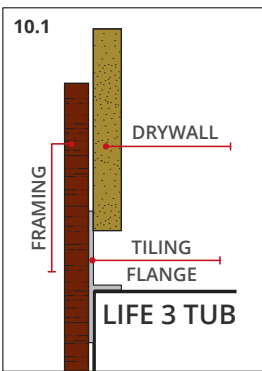


⚠️ **TWO (2) PEOPLE REQUIRED** ⚠️

10



DRYWALL INSTALLATION
Install the drywall on top of the tiling flange as shown



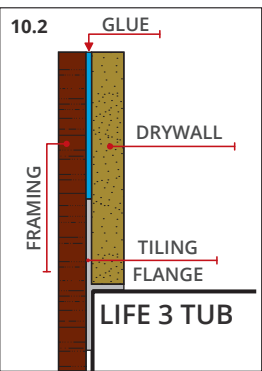
10.1

FRAMING

DRYWALL

TILING FLANGE

LIFE 3 TUB



10.2

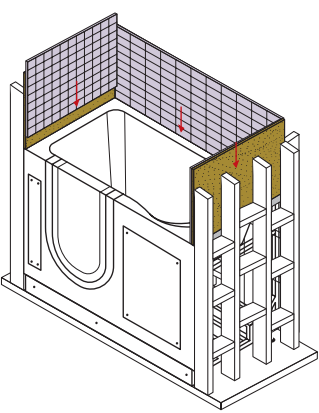
GLUE

DRYWALL

TILING FLANGE

LIFE 3 TUB

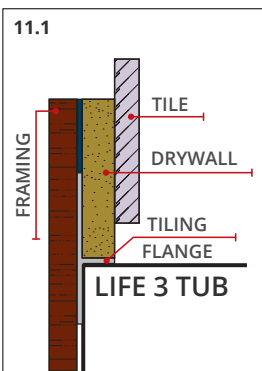
11



TILE INSTALLATION

11.1 Install the desired tile by placing it on top of the tub

11.2 Apply silicone to seal gaps



11.1

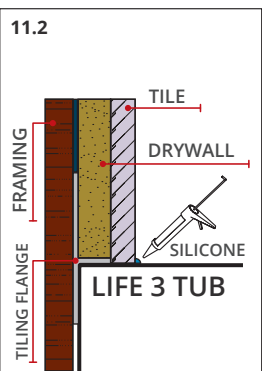
FRAMING

TILE

DRYWALL

TILING FLANGE

LIFE 3 TUB



11.2

TILE

DRYWALL

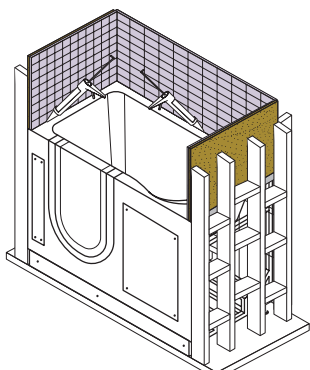
SILICONE

TILING FLANGE

LIFE 3 TUB

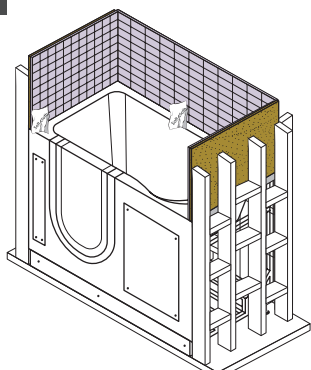
12

The gaps should then be sealed ensuring that the silicone is forced into the void.



13

Wipe any excess of silicone with a warm soapy cloth.



24 HRS

PLEASE ALLOW 24 HOURS FOR THE SILICONE TO FULLY CURE.

⚠️

TEST FOR LEAKS AFTER 24 HOURS OF BEING INSTALLED

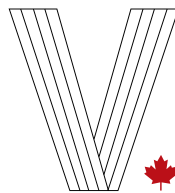
⚠️ **WHEN NOT IN USE, LEAVE THE DOOR OPEN. NOT FOLLOWING THIS INSTRUCTIONS CAN COMPROMISE THE DOOR SEAL, AND CAN CAUSE LEAKS OVERTIME** ⚠️

CARE AND MAINTENANCE

- When not in use, keep the LIFE3 tub door open.



- Please clean your bath or shower on a regular basis using a soft cloth and a smooth, mild household dish soap and water. Rinse well with water and dry with a soft clean cloth.
- Never use abrasive cleaners, powders, pads, or liquids that contain abrasives. Avoid products such as Magic Erasers and scouring pads as these are abrasive and will damage the acrylic.
- Do not use aromatic solvents (essential oils), strong liquid cleansers, bleach, isopropyl alcohols, nail polish, nail polish remover, Wintergreen oil, dry cleaning solution, lacquer thinners, gasoline, pine oil or cleaners that contain bleach.
- If a bathmat is used, remove immediately after each use to allow the surface to dry.
- It is recommended that once a month the tub is flushed. As well, with every month of normal use, clean out the pumps inlet cover by unscrewing the cover and removing any hair and debris from the cover and housing. Remount the cover in place. Never operate the system with the cover off, as the pump creates a strong suction and damage to the pump or injury may occur.



VALLEY⁺

...you dream it, we create it

Congratulations! You are now a part of the Valley Acrylic family!