

SHILA STONE WALL PANEL INSTALLATION GUIDE

Thank you for choosing Valley Acrylic Bath for your project. This installation manual provides general information on the installation of our Shila Stone wall panels.

All the information in this guide is based upon the most recent product information available at the time of this publication. Valley Acrylic reserves the right to make changes to product characteristics, packaging, or availability at any time without notice.

Thank you for your purchase!

BEFORE YOU BEGIN

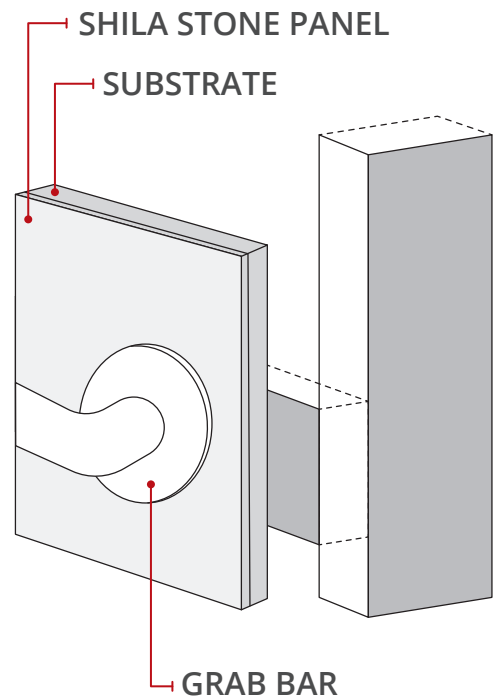
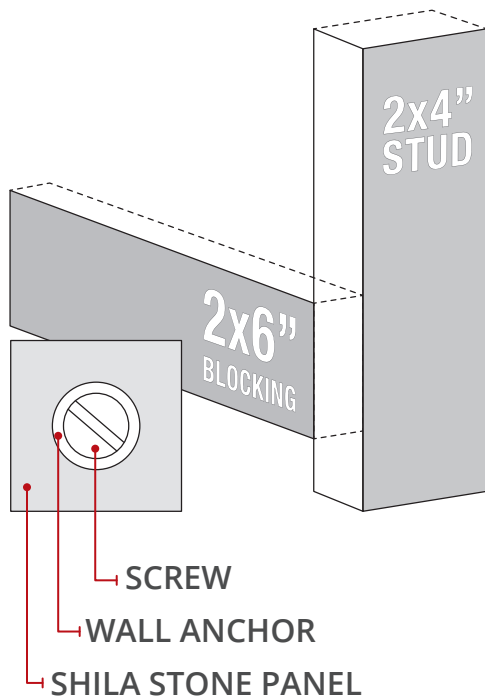
- Please read these instructions carefully before beginning your installation.
- Consult your local building codes to ensure that your installation complies with local standards.
- Remove the unit from its packaging. Before disposing of packaging, ensure the walls are in good conditions.
- Should inspection reveal any damage or defect in the finish, **Contact Us**. The warranty does not cover damages or defects in the finish once the unit has been installed. Valley's responsibility for shipping damages ceases upon delivery of the product in good order to the carrier. All complaints regarding damage due to transport must be made directly to the carrier.
- Do not remove the protective polyethylene film from your product until installation is completed to ensure maximum protection from inadvertent damage, except in areas where two surfaces will be in permanent contact.
- Ensure that the floor is level and strong enough to support the weight of the unit.
- Please refer to your product's specification sheet and ensure that both your unit and build plan measure match the stated sizes.



IMPORTANT INFORMATION

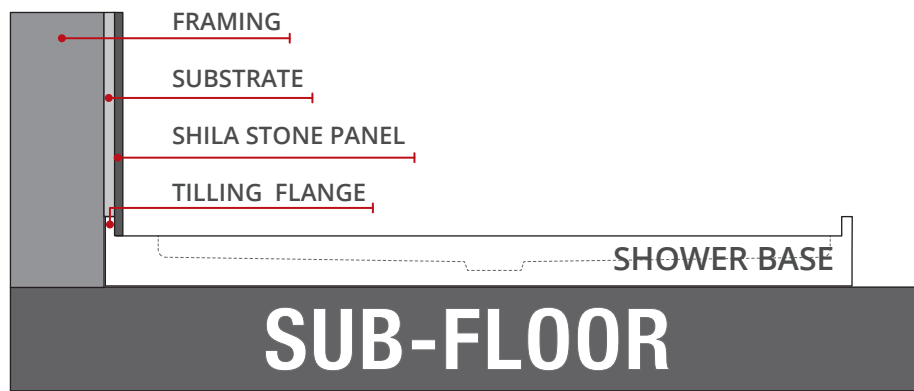
Our Shila Stone panels are more fragile in extremely cold temperatures, and should be handled with care in these conditions. When possible, store all material in a heated area at least 24 hours prior to installation. Shila Stone panels must be kept flat at all times.

If you are installing grab bars, blocking should always be placed in the proper location prior to the wall substrate being installed. We recommend using a 2" x 6" on end. Our Shila Stone panels are not designed to support the tension placed on the bar. Once the Shila Stone panels are installed, all screw holes must be pre-drilled through the panels large enough so that no screw threading comes in contact with the panel. This will prevent damage to the panel. ***Tighten all screws carefully, the panels can be cracked or broken if over-tightened.***



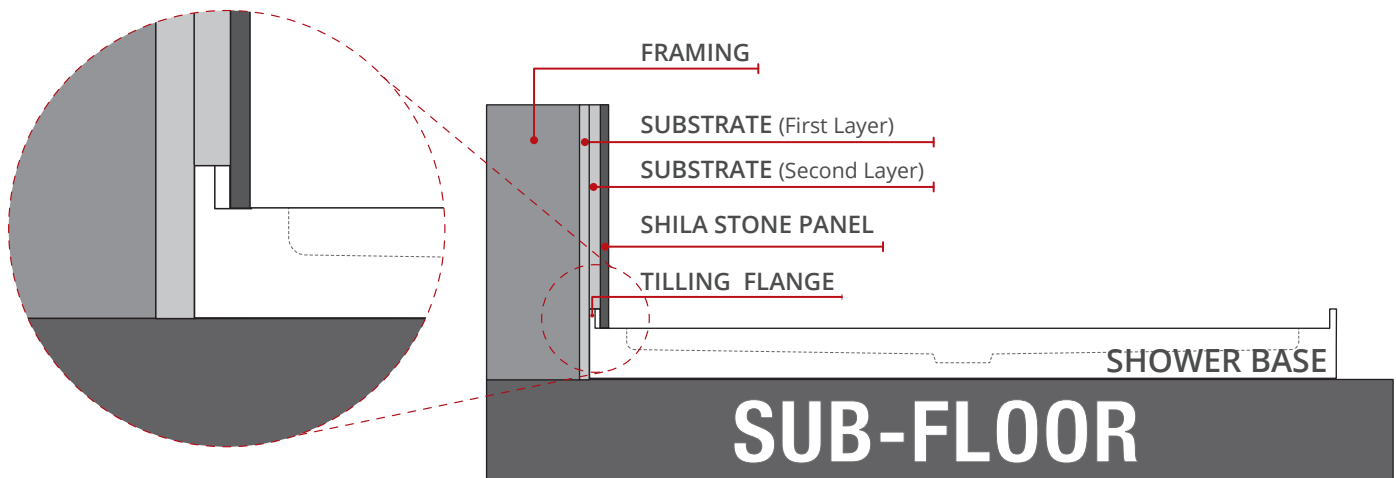
STANDARD APPLICATION

The Tub or Shower Base must be set in place before the Substrate can be installed. *(Please see Shower Base Installation Instructions for installing the Base.)* The Shower Base and Tubs have a Leak-proof tiling flange attached to them. The wall substrate must be 1/2" thick so that when the panels are installed, they are flush with the wall while covering the Flange without bowing out at the bottom. (See diagram below.)

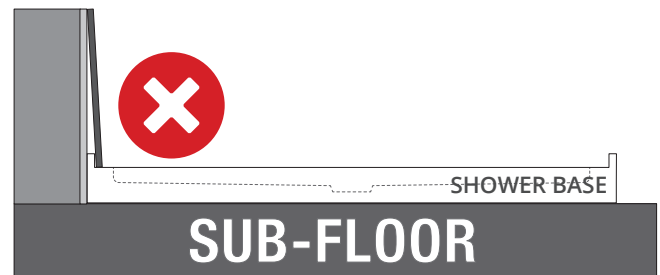
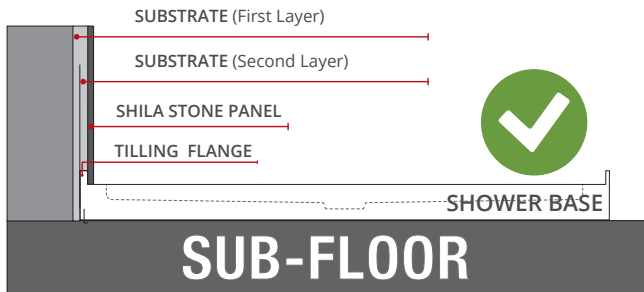


FIRE-RATED SUBSTRATE APPLICATION

Fire-rated substrated installation will require two layers of substrate be installed. The first layer should be installed before the Shower Base and all the way to the sub-floor. The second layer should be installed stopping just above the tiling flange. The second layer of substrate will allow the panels to be installed from the surface of the shower base or tub upward without the panels bowing out. (See diagram below.)



When following Fire-rated requirements, the first layer of substrate must be installed all the way to the sub-floor. When the panels are installed, they must extend over the tiling flange all the way to the shower base floor. If only one piece of substrate is used, the panel will bow out at the bottom to cover the flange. (See diagram below.)



IMPORTANT INFORMATION

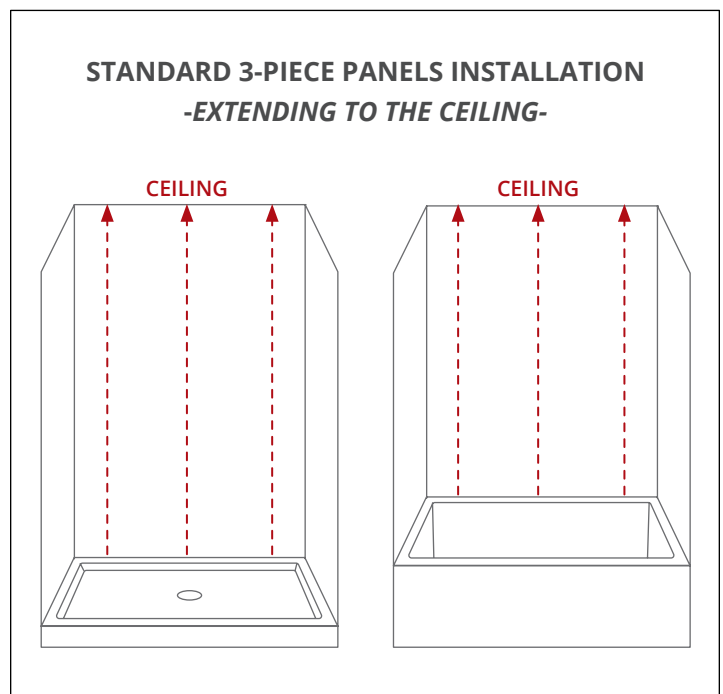
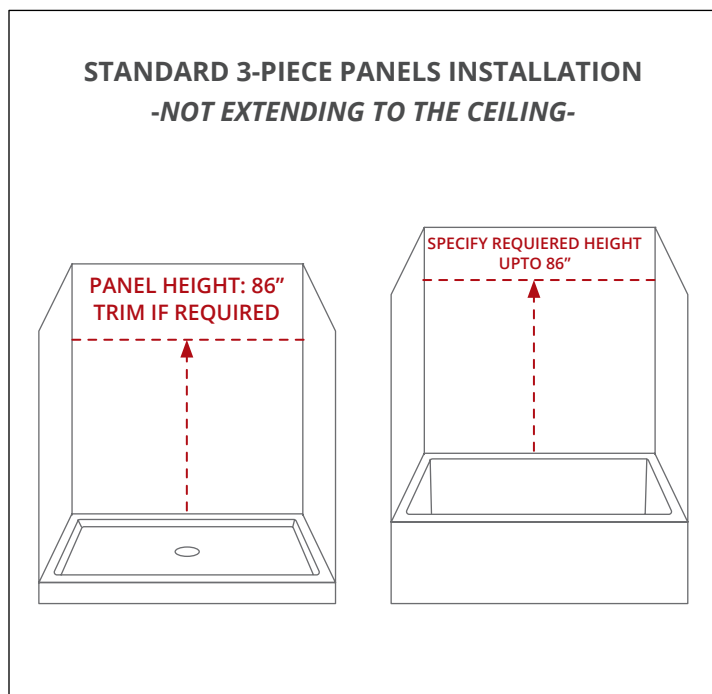
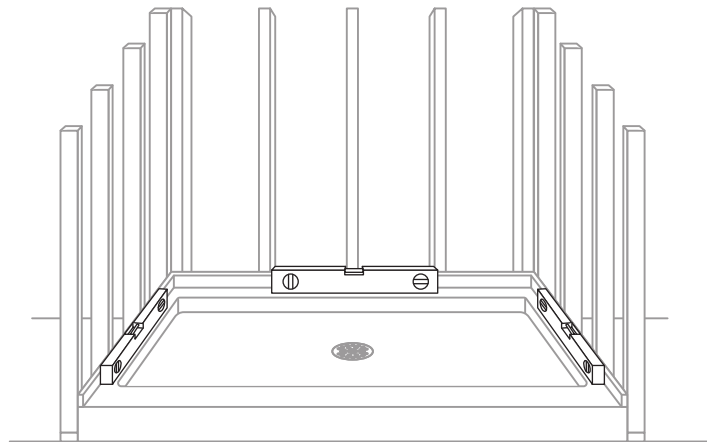
ATTENTION: Please follow these Valley Acrylic Shila Stone Installation Instructions carefully. As a general rule, in order to install the panels correctly. Panels come from factory with three finished edges. You will need to trim the panels following these instructions very closely.

REQUIRED TOOLS

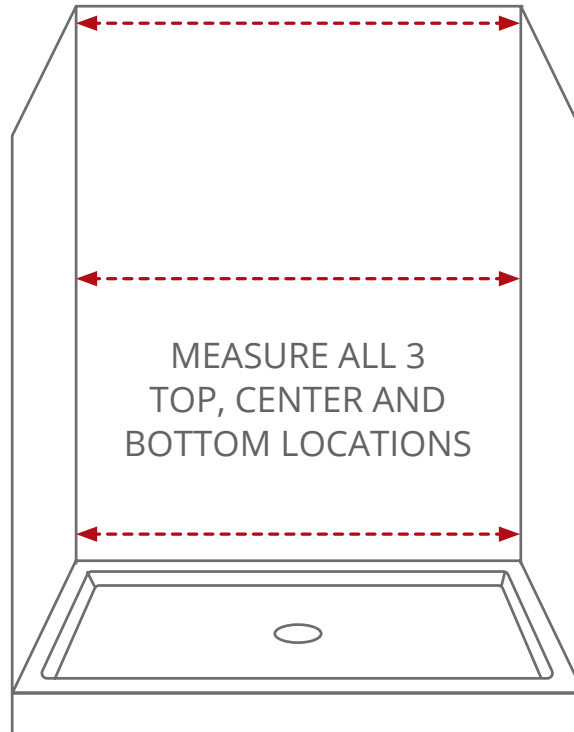
- Circular Saw with a Masonry Blade
- Drill / Drill bits
- Mask (For cutting the panels)
- Pencil
- Hole Saw
- Saw horses
- ¾" Plywood (to place over saw horses to support panels when cutting)
- 4' Level
- Chalk line
- Chalk
- 80 Grit sandpaper
- Acetone
- Dry, clean rags
- Hot glue gun
- 15" Glue sticks
- Construction Adhesive or Cast Marble Adhesive
- Silicon - Mildew Resistant
- Outdoor paintable Latex Caulking

STANDARD 3-PIECE PANELS INSTALLATION

First, make sure the Shower Base or Tub is level from front to back, side to side and diagonally.



Next, measure and record the Back Panel Location Width at the Top, Center and Bottom. You are now ready to transfer these measurements to the Back Panel for trimming.



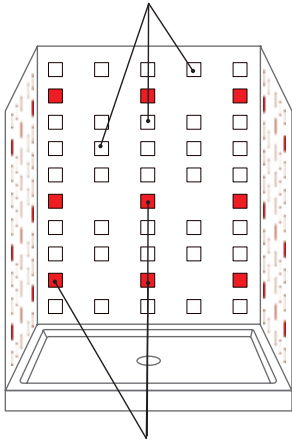
You are now ready to trim the Back Panel. Place the Panel on top of the $\frac{3}{4}$ " Plywood on the Saw Horses. Trim with the Circular Saw using the Masonry Blade. If you are trimming more than $\frac{1}{2}$ " of material, make sure to support the material being trimmed off to avoid the material breaking off before completing the cut. If the piece being trimmed breaks off, it could damage the panel and render the panel useless.

After you have trimmed the panel, thoroughly sand all cut edges with 80 grit sandpaper, especially the bottom.

Whenever possible, dry fit the panel to make sure it is a proper fit before applying adhesive to the wall. Once the fit is confirmed, wipe down the wall with acetone to clean and prepare the wall. Then, wipe off the pencil marks on the front of the panel with acetone. Next, wipe off the back, unfinished side of panel with acetone to clean it of dust and debris.

Use a combination of Construction Adhesive and 100% Silicone combined or Cast Marble Adhesive alone coupled with Commercial Grade Hot Glue for quicker set-up time and possibly less bracing.

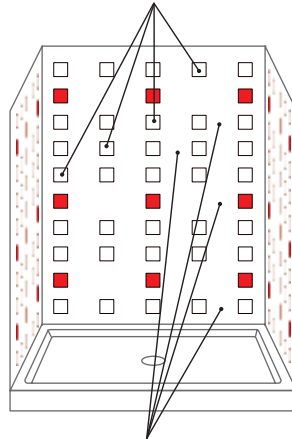
APPLY CONSTRUCTION ADHESIVE



APPLY 100% SILICONE

OR

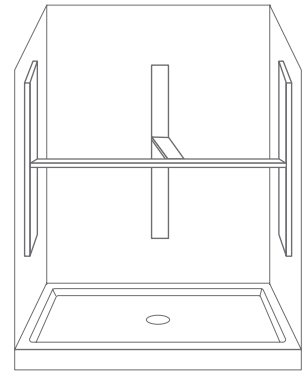
APPLY CAST MARBLE ADHESIVE



APPLY COMMERCIAL GRADE HOT GLUE

THEN

CONSTRUCT PROPER BRACING

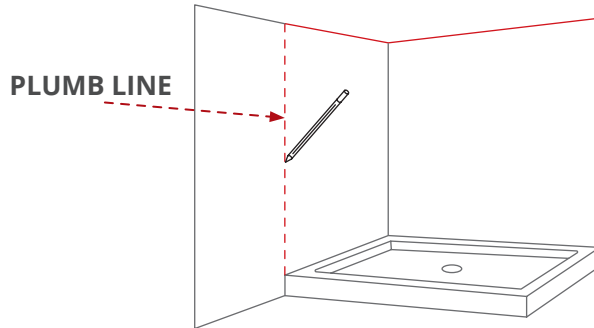


IMPORTANT INFORMATION

The Hot Glue will set up immediately, allowing you to hold the Panel in place for a couple of minutes and the Panel will stay put. You can then construct the proper bracing to allow the adhesive to set up, usually 24 hours. Again, apply generous amounts of adhesive. An entire large tube of adhesive should be used for the back panel alone, and ½ tube for the side panels. Also keep in mind, more bracing may be necessary depending on the walls and site conditions.

If you are installing Trim at the front edge of the Shower Base or Tub, please refer to the footnote instructions at the end of this manual for details on how to properly install. We recommend you install the Trim before the Side Panels. (see page 11)

You are now ready to trim and install the Side Panels. You will take measurements as for back wall.



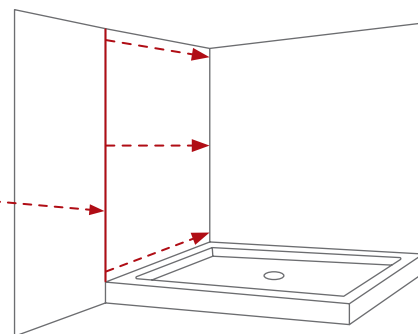
USE LEVEL TO DRAW LINE FROM FRONT EDGE OF SHOWER BASE OR TUB TO TOP OF PANEL

The OUTSIDE edge will be the FINISHED EDGE from the factory.

You will trim the INSIDE edge that butts up to the Back Panel.

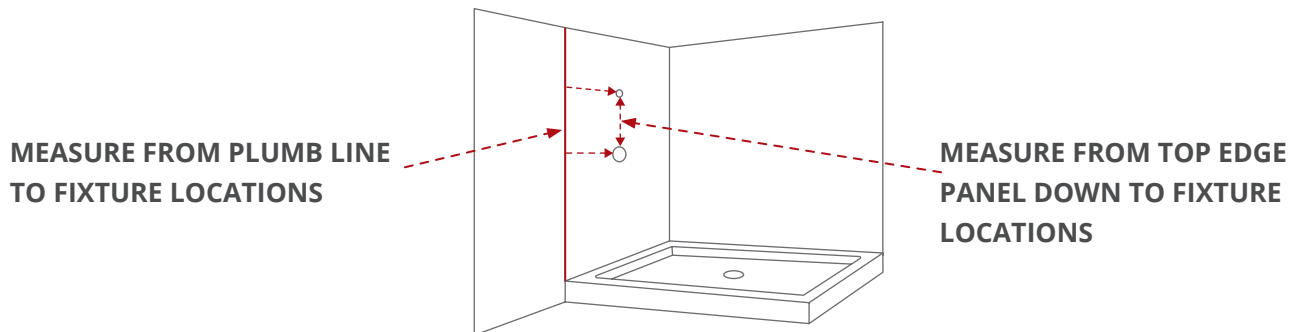
To determine what WIDTH to trim the Side Panel, measure from the PLUMB LINE that was established from the edge of the Shower Base or Tub back to the wall corner in all three Top, Center and Bottom locations. The OUTSIDE EDGE will be the FINISHED EDGE from the factory. The INSIDE EDGE will be the one to be trimmed, and will butt up to the Installed Back Panel.

**MEASURE FROM PLUMB LINE TO BACK WALL
(FROM WHAT WILL BE THE FINISHED EDGE)**



After you have trimmed the panel, thoroughly sand all cut edges with 80 grit sandpaper, especially the bottom. Install the Side Panel using the same Adhesive Technique as the Back Panel.

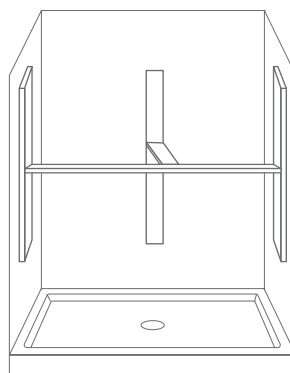
You will need to locate and cut the holes for the SHOWER , VALVE AND FITTING on the appropriate Side Panel. Measure over from the PLUMB LINE / FINISHED EDGE to the locations. These will determine where to drill your holes in the Panel. Normally, there will be two holes to be located and drilled for a Shower and three for a Tub.



Carefully drill out the holes for the plumbing fixtures in the panel. Be aware that if you use too much pressure when drilling, you can damage the panel, especially as the drill completes the hole.

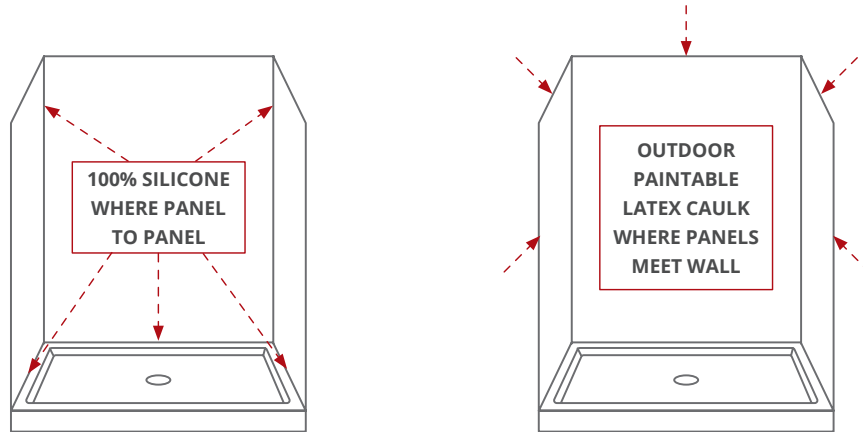
Properly bracing the panels is important for allowing the adhesive to set up. Be sure to use caution when constructing the bracing. Below is a general graphic illustrating how bracing can be constructed, but there are other variables that may come into play depending upon the conditions at the site. You may need to build more braces, but you want to make sure that the panels are held firmly but without enough pressure to crack or damage the panels

CONSTRUCT PROPER BRACING



MORE BRACING MAY BE REQUIRED
THAN SHOWN HERE

After the adhesive has had time to dry, usually 24 hours, carefully remove the bracing. You are now ready to caulk all of the joints. Use 100% Silicone where Marble meets Marble. Where Marble meets walls (Sheetrock, etc.) use Paintable Latex Caulk.

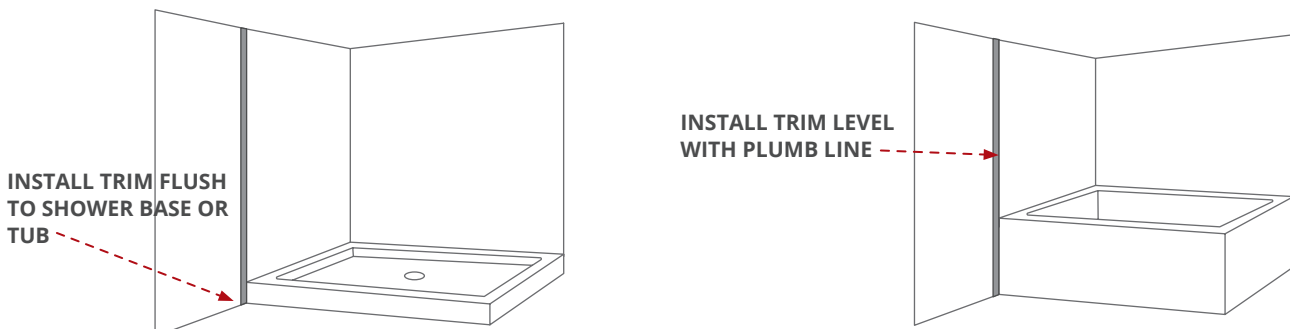


You are now ready to install any Accessories. To install soap dishes, shampoo shelves, grab bars, etc, whether Cast Marble, Ceramic or Chrome Plated Metal, please follow manufacturers installation instructions.



IMPORTANT INFORMATION

When you are installing Trim pieces for the sides of the Shower or Tub, it is recommended that you measure and cut them at the same time you are measuring and trimming the Back Panel. After cutting the trim, test fit them to make sure they fit. Install the trim right up against the shower base or tub following the vertical plumb line. Use 100% Silicone or Cast Marble Adhesive combined with Commercial Grade Hot Glue and press and hold into place. After a couple of minutes, the Hot Glue will set up and hold the Trim in place. Then, you can proceed with installing the Side Panels as per these instructions.



WARRANTY

Valley Acrylic offers the following express limited warranties on its products. These warranties extend only to the original owner/end-user for personal household use and start from the manufacturing date of the unit. For commercial uses, additional limitations apply.

This limited warranty, starting on the original purchase date, is only offered to the original purchaser who acquires the product directly from authorized Valley dealers. This limited warranty does not apply to cases in which a product was incorrectly installed, nor to damage due to negligence, misuse, thermal shocks, cigarette burn, fire, natural disasters or other accidents

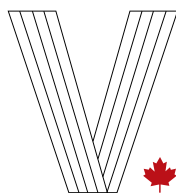
Valley Acrylic Shila Stone products have a limited warranty for residential use for a period of **10 years** from the original purchase date, against any failure from improper manufacturing defects.

The warranty does not extend to:

- damage caused by cleaning, maintenance, or installation performed other than strictly in accordance with the information contained in the Instructions;
- damage caused by the use of strong chemicals;
- gloss reduction, scratching, or staining of the finish over time due to water impurities or atmospheric conditions;
- damage due to installation error, product neglect, misuse, or abuse, accident, or negligence, whether caused by the purchaser, a contractor, or a service provider, or any other cause beyond the control of Valley Acrylic.

The company will replace or repair the defective product subject to the following conditions:

- Claim is made in writing to head office within 10 days of the problem being apparent;
- The product has been used in the manner that it was intended, this protection does not apply to any products that have been misused in any way;
- The product must have been installed and cared for in line with our instructions



VALLEY[®]

...you dream it, we create it

Congratulations! You are now a part of the Valley Acrylic family, and an owner of a great Canadian-made product!