



**DESCRIPTION:**

- Under counter.
- White porcelain.
- With Overflow.
- Cut-out template.
- Mounting clips included.
- Complies with CSA & IAPMO standards.

**SHIPPING DIMENSIONS**

18 x 15 x 8" / 457 x 381 x 203mm

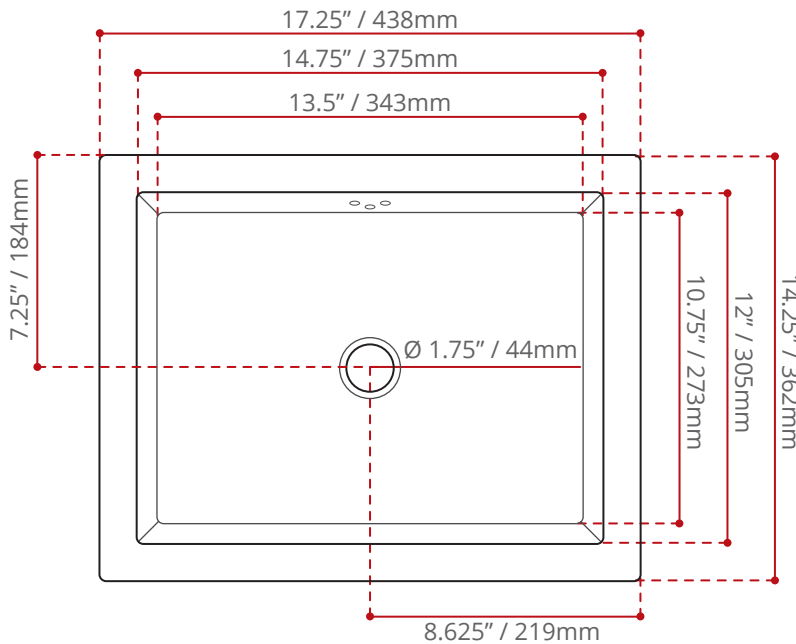
**NET WEIGHT**

10 KG / 22 lbs

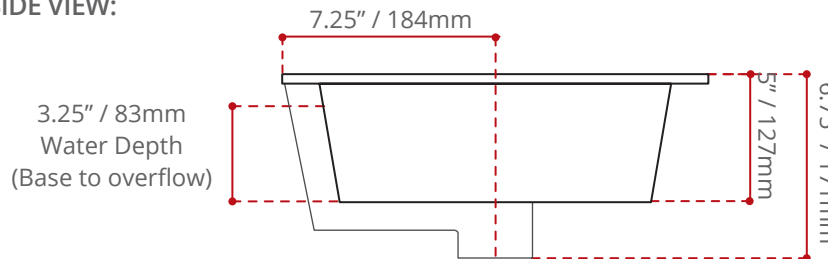
**GROSS WEIGHT**

10.5 KG / 23 lbs

**TOP VIEW:**



**SIDE VIEW:**



Measurements may vary ±5mm  
- Diagram NOT to scale -

