



Product images are for illustration purposes only. Actual product(s) may vary.

DESCRIPTION:

- Above counter Shila Stone basin
- Default finish White (Matte or Gloss)
- White octagonal drain cover Included.
- No overflow
- Drain assembly sold separately
- Stain, scratch and crack resistance
- Fabricated in Canada
- Complies with CSA & IAPMO standards

SHIPPING INFORMATION:

- Length: 23" / 584mm
- Width: 18" / 457mm
- Height: 7" / 178mm
- Net Weight: 6 kg / 13.2 lbs.
- Gross Weight: 8 kg / 17.6 lbs.

DEFAULT FINISHES

MW
 MATTE WHITE
 (2116MW)

GW
 GLOSS WHITE
 (2116GW)

BASIN CUSTOM FINISHES (GLOSS FINISH ONLY)

Colour Me **SERIES**



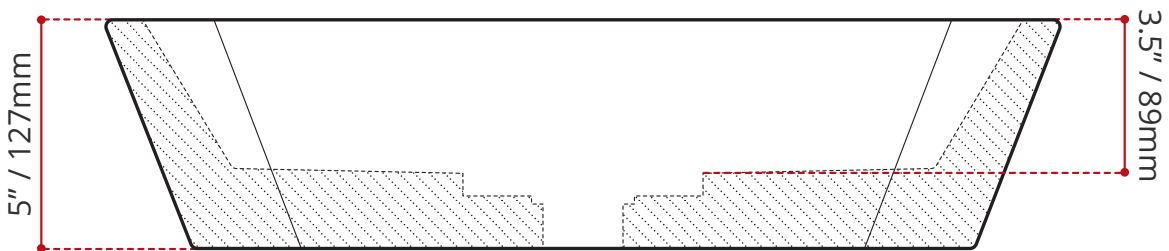
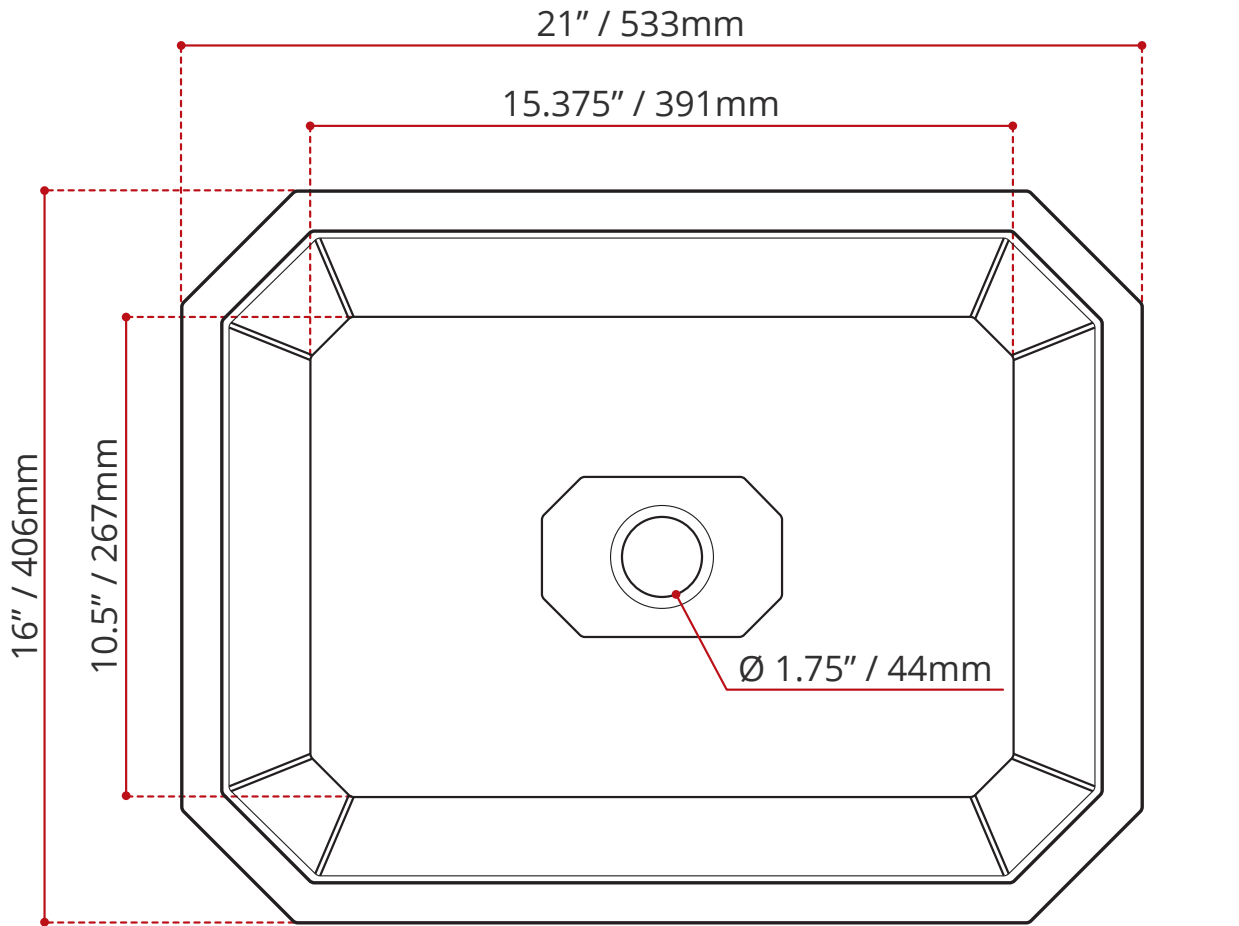
COORDINATING ITEM



A9290CCP-1
 (CHROME)
 OPEN GRID DRAIN



A9290BN-1
 (BRUSHED NICKEL)
 OPEN GRID DRAIN



Vessel - Drain portion Cutting Required

DISCLAIMER: Measurements may vary $\pm \frac{1}{8}$ " (Diagram Not to scale)