



Product images are for illustration purposes only. Actual product(s) may vary.

MODEL No.	FINISH
EMERALD60MW	MW MATTE WHITE
EMERALD60GW	GW GLOSS WHITE

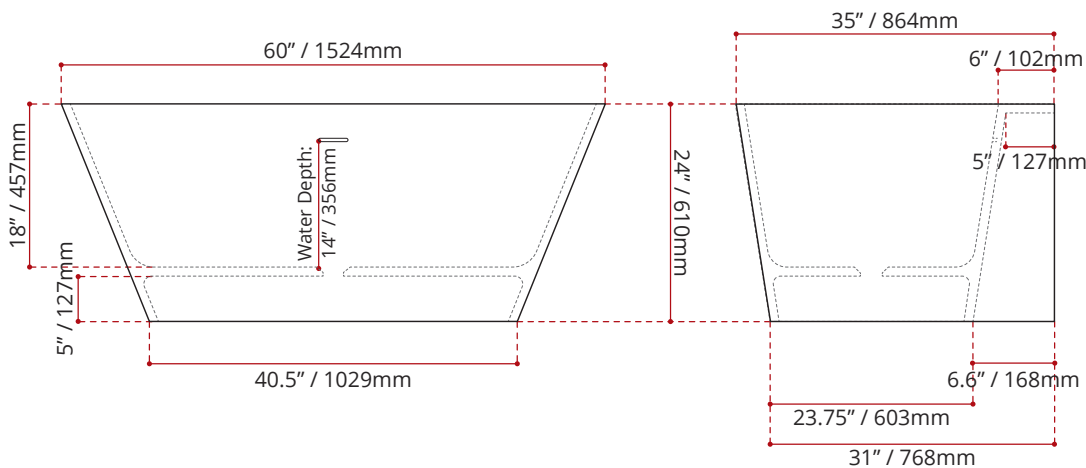
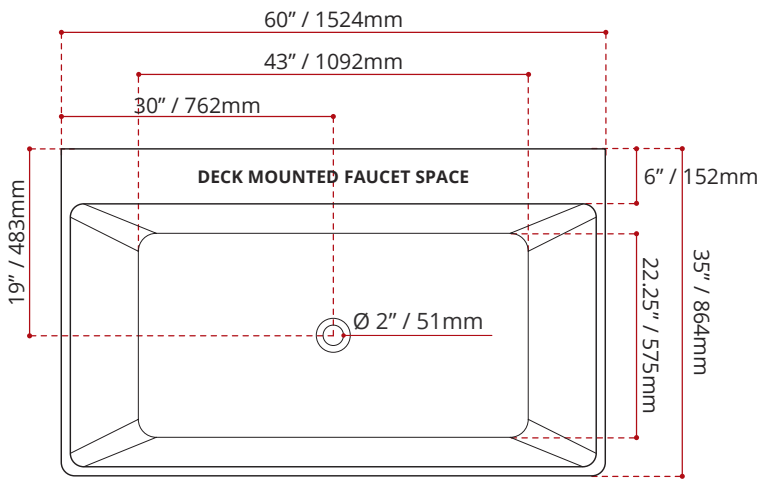
DIMENSIONS	WATER DEPTH	CAPACITY
<ul style="list-style-type: none"> Length: 60" / 1524mm Width: 35" / 864mm Height: 24" / 610mm 	14" / 356mm Drain to overflow	59 gal. 223 litres of water

PRODUCT INFORMATION:

Valley's EMERALD is a freestanding bathtub that exudes class, with its precise geometric design. A spacious deck is great for mounting faucets or bath fillers of your choice. This bathtub is manufactured in Canada with Valley's signature Shila Stone resin material, which is highly durable and exceptionally strong. Shila Stone is also scratch and stain resistant, and has insulation properties that provide heat retention.. *This tub comes with an integral slotted overflow and a chrome pop-up drain is included.* Complies with CSA & IAPMO standards.

SHIPPING INFORMATION:

- Length: 63" / 1600mm
- Width: 37" / 940mm
- Height: 26" / 660mm
- Net Weight: 150 kg / 330 lbs.
- Gross Weight: 180 kg / 397 lbs.

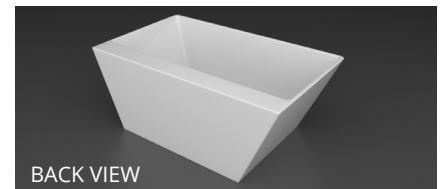


CUSTOMIZE YOUR TUB

ALL UPCHARGE OPTIONS ARE MADE TO ORDER
- NO REFUND - NO RETURN -

EXTERIOR FINISH OPTION

colourme
VALLEY



DISCLAIMER: Measurements may vary ± ¼" (Diagram Not to scale)

