



DESCRIPTION:

- Contemporary style.
- Shila stone.
- Extra wide deck mounted faucet space.
- Drain included.
- Made in Canada.
- Complies with CSA & IAPMO standards.

COLOUR / FINISH

- Matte Pearl White.
- Gloss Pearl White.

WATER DEPTH

17.5" / 446mm

CAPACITY

84 gal.
320 litres of water

SHIPPING DIMENSIONS

62 x 32 x 26" / 1575 x 813 x 660mm

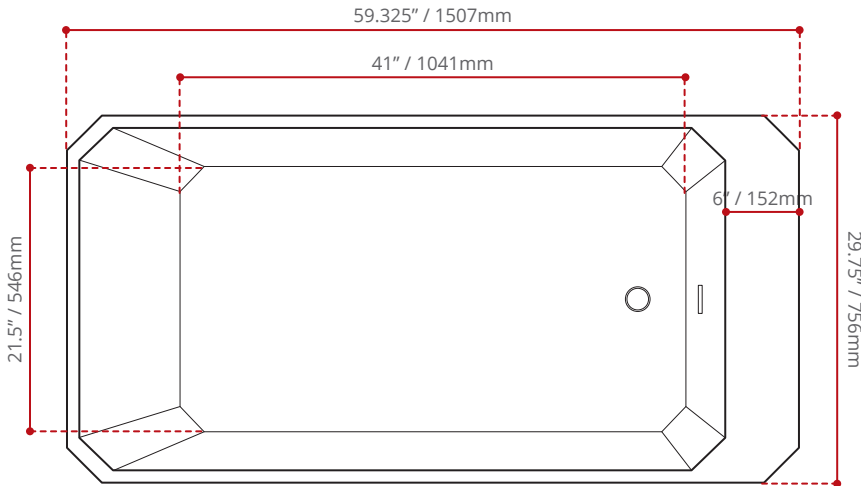
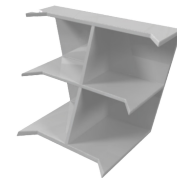
NET WEIGHT

150 kg / 330 lbs

GROSS WEIGHT

180 kg / 397 lbs

ONYX 150 EXTENSION ADD-ON



Measurements may vary ± 5mm
- Diagram NOT to scale -

