



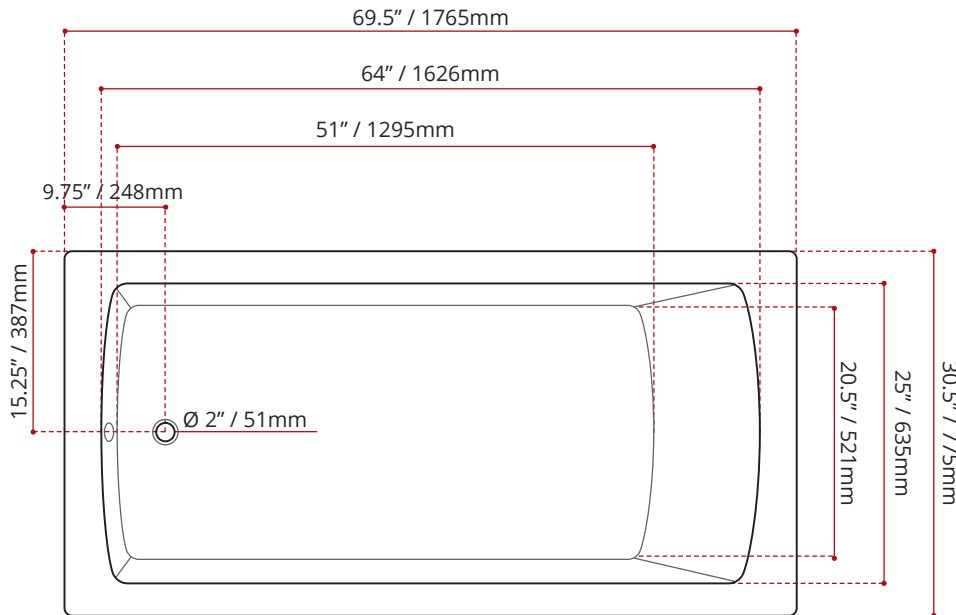
WHITE FINISH
MODEL No.
<b>3951</b>

BLACK FINISH	BISCUIT FINISH
MODEL No.	MODEL No.
<b>3952</b>	<b>3953</b>
<i>COLOUR OPTIONS ARE MADE TO ORDER - NO REFUND - NO RETURN -</i>	

DIMENSIONS	WATER DEPTH	CAPACITY
<ul style="list-style-type: none"> <li>• Length: 69.5" / 1765mm</li> <li>• Width: 30.5" / 775mm</li> <li>• Height: 20" / 508mm</li> </ul>	13.5" / 343mm Drain to overflow	61 gal. 231 litres of water

PRODUCT INFORMATION:	
<ul style="list-style-type: none"> <li>• Modern style</li> <li>• End drain</li> <li>• Made in Canada</li> </ul>	<ul style="list-style-type: none"> <li>• Undermount installation</li> <li>• High gloss / Crack-resistant acrylic</li> <li>• Complies with CSA &amp; IAPMO standards</li> </ul>

SHIPPING INFORMATION:	
<ul style="list-style-type: none"> <li>• Length: 74" / 1880mm</li> <li>• Width: 34" / 864mm</li> <li>• Height: 26" / 660mm</li> </ul>	<ul style="list-style-type: none"> <li>• Net Weight: 31 kg / 68 lbs</li> <li>• Gross Weight: 36 kg / 79 lbs</li> </ul>



DISCLAIMER: Measurements may vary ± ¼" (Diagram Not to scale)

**CUSTOMIZE YOUR TUB**

*ALL UPCHARGE OPTIONS ARE MADE TO ORDER - NO REFUND - NO RETURN -*

AVAILABLE CUSTOMIZATION OPTIONS	MODEL No.
TEXTURED BOTTOM	<b>C4</b>

**JETTING OPTIONS**

*ALL EXPERIENCES ARE MADE TO ORDER - NO REFUND - NO RETURN -*

MODEL No.	DESCRIPTION
<b>E15</b>	16 LATERAL AIR JETS (CHROME) + 1 ROUND LIGHT (WHITE) + 6 THIN LINE TURBO JETS (CHROME)
<b>E33</b>	16 AIR ILLUSION JETS + 2 ROUND LIGHTS (WHITE) + 6 STANDARD THIN LINE JETS (WHITE)
<b>E56</b>	16 SANTE AIR JETS (WHITE) + 1 ROUND LIGHT (WHITE) + 6 STANDARD THIN LINE JETS (WHITE)
<b>E75</b>	16 ZEN AIR JETS (CHROME) + 2 ROUND LIGHTS (WHITE) + 6 SQUARE STANDARD JETS (CHROME)
<b>M16</b>	4 V-MASSEUSE + 16 AIR ILLUSION JETS + 2 ROUND LIGHTS (WHITE)
<b>M33</b>	4 WHIRLPOOL V-MASSEUSE + 16 LATERAL AIR JETS (CHROME) + 1 ROUND LIGHT (WHITE)
<b>062</b>	6 REGULAR WHIRLPOOL WATER JETS - BRUSHED NICKEL
<b>032</b>	16 SANTE AIR JETS (WHITE FINISH) + 1 ROUND LIGHT (WHITE FINISH)

*FOR MORE EXPERIENCES, JETTING OPTIONS & ACCESSORIES  
PLEASE REFER TO THE JETTING GUIDE*

**HOW TO CREATE THE MODEL NUMBER**

When configuring a bathtub please follow the correct order of the configuration options.

**COLOUR OPTION + CUSTOMIZATIONS + JETTING OPTIONS**

Let's break down an example — Here is Model No.

**3951C4E56**

**3951**C4E56 (OVO7232UM WHITE FINISH)

3951**C4**E56 (TEXTURED BOTTOM)

3951C4**E56** (JETTING OPTION)

OVO7232UM WHITE FINISH + TEXTURED BOTTOM + 16 SANTE AIR JETS (WHITE) +  
1 ROUND LIGHT (WHITE) + 6 STANDARD THIN LINE JETS (WHITE)