



**DESCRIPTION:**

- Brass body.
- Chrome finish.
- Easy to clean and maintain.
- High quality drip-free ceramic cartridge.
- Single lever, water & temperature control.
- Resist discoloration and corrosion.
- Complies with CSA & IAPMO standards.

**PRESSURE:**

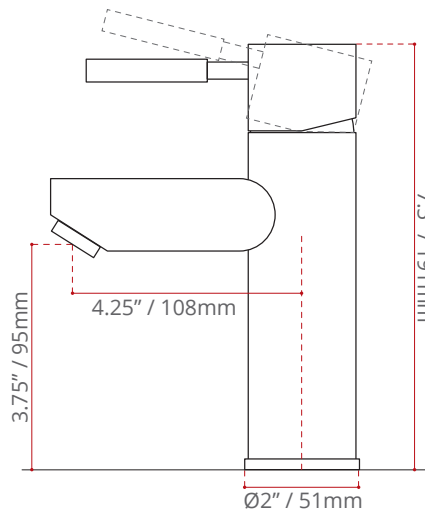
**45 PSI**

**FLOW RATE:**

**3.5 LPM**

**SHIPPING INFORMATION:**

- **Length:** 14.18 / 360mm
- **Width:** 7.3" / 185mm
- **Height:** 3.15" / 80mm
- **Net Weight:** 1.5 kg / 3.3 lbs.
- **Gross Weight:** 2 kg / 4.4 lbs.



**DISCLAIMER:**  
Measurements may vary  $\pm \frac{1}{4}$ "  
(Diagram Not to scale)