



DESCRIPTION:

- Brass body.
- Brushed Nickel.
- Easy to clean and maintain.
- High quality drip-free ceramic cartridge.
- Single lever, water & temperature control.
- Resist discoloration and corrosion.
- Complies with CSA & IAPMO standards.

PRESSURE:

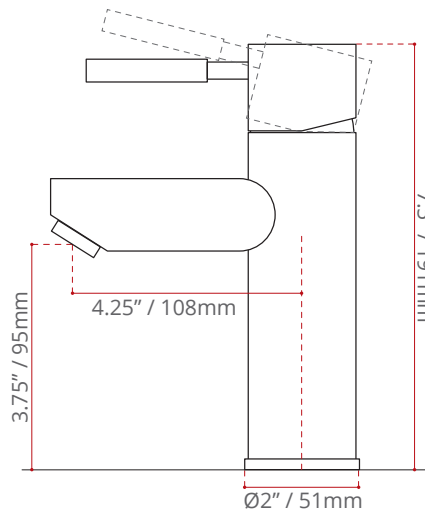
45 PSI

FLOW RATE:

3.5 LPM

SHIPPING INFORMATION:

- **Length:** 14.18 / 360mm
- **Width:** 7.3" / 185mm
- **Height:** 3.15" / 80mm
- **Net Weight:** 1.5 kg / 3.3 lbs.
- **Gross Weight:** 2 kg / 4.4 lbs.



DISCLAIMER:
Measurements may vary $\pm \frac{1}{4}$ "
(Diagram Not to scale)