

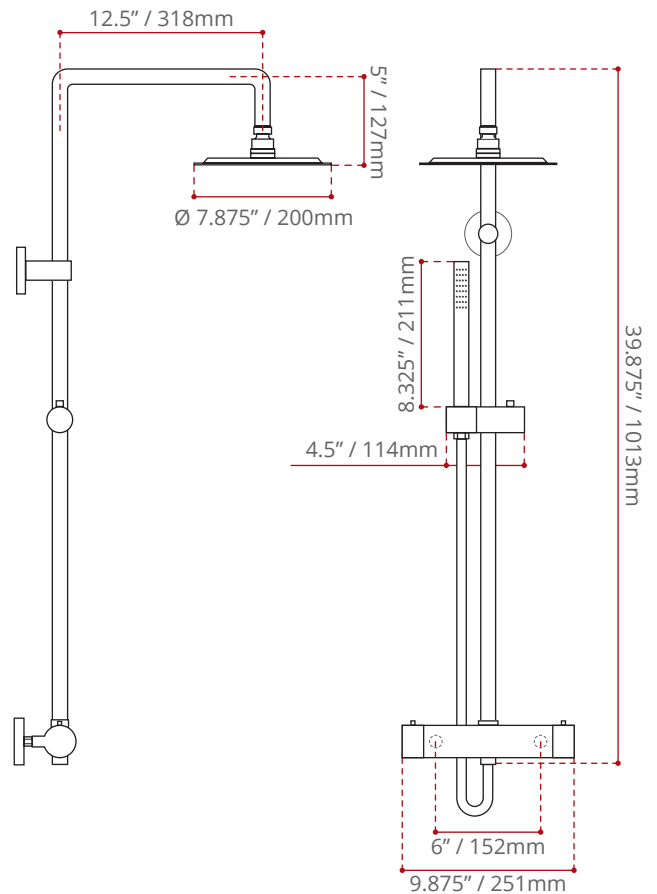


### DESCRIPTION:

- Ceramic disc cartridge
- Solid brass construction
- Triple-plated chrome finish
- Round head shower head
- Includes hand-spray with easy open diverter system
- Flow Rate: 5.6 GPM @ 65 PSI
- Complies with CSA standards.

### SHIPPING INFORMATION:

- Length: 44" / 1118mm
- Net Weight: 4.9 kg / 11 lbs.
- Width: 19.25" / 489mm
- Gross Weight: 5.9 kg / 13 lbs.
- Height: 6.75" / 171mm



DISCLAIMER:  
Measurements may vary  $\pm \frac{1}{4}$ "  
(Diagram Not to scale)