

### DESCRIPTION:

- Stainless steel.
- Durable grid protects your kitchen sink against scratches from general daily use.
- Premium T-304 Stainless Steel Construction.
- Complies with CSA & IAPMO standards.

### KITCHEN SINK OPTION

- SRR2919C

### SHIPPING DIMENSIONS

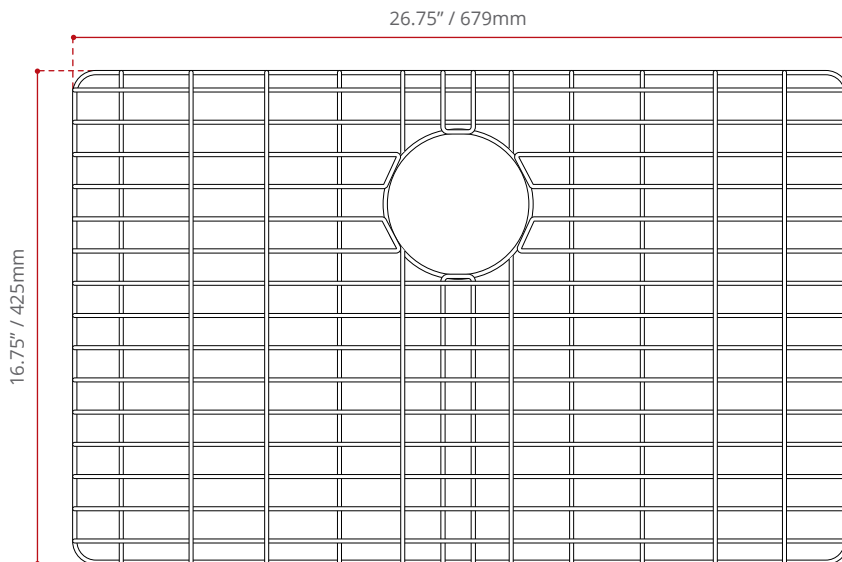
27.25 x 17.25 x 1.5" / 692 x 438 x 38mm

### NET WEIGHT

1 kg / 2.2 lbs.

### GROSS WEIGHT

1.5 kg / 3.3 lbs.



Measurements may vary  $\pm$  5mm  
- Diagram NOT to scale -