



COLOUR OPTIONS ARE MADE TO ORDER - NO REFUND - NO RETURN -

<b>BLACK FINISH</b>

MODEL No: SDTSD6042L2 (LEFT HAND THRESHOLD)
MODEL No: SDTSD6042R2 (RIGHT HAND THRESHOLD)

<b>BISCUIT FINISH</b>

MODEL No: SDTSD6042L3 (LEFT HAND THRESHOLD)
MODEL No: SDTSD6042R3 (RIGHT HAND THRESHOLD)

**CUSTOMIZE YOUR SHOWER BASE**

ALL UPCHARGE OPTIONS ARE MADE TO ORDER - NO REFUND - NO RETURN -

AVAILABLE CUSTOMIZATION OPTIONS	MODEL No.
TEXTURED BOTTOM	<b>C4</b>
DOUBLE TILING FLANGE	<b>C5</b>
TEXTURED BOTTOM + DOUBLE TILING FLANGE	<b>C45</b>

**SHIPPING INFORMATION:**

- Length: 62" / 1575mm
- Net Weight: 27 kg / 59lbs
- Width: 44" / 1118mm
- Gross Weight: 30 kg / 66lbs
- Height: 8" / 203mm

Valley's double threshold, center drain acrylic shower bases are meant to be installed a corner setting. All acrylic shower bases have been redesigned with a minimal 3" threshold.

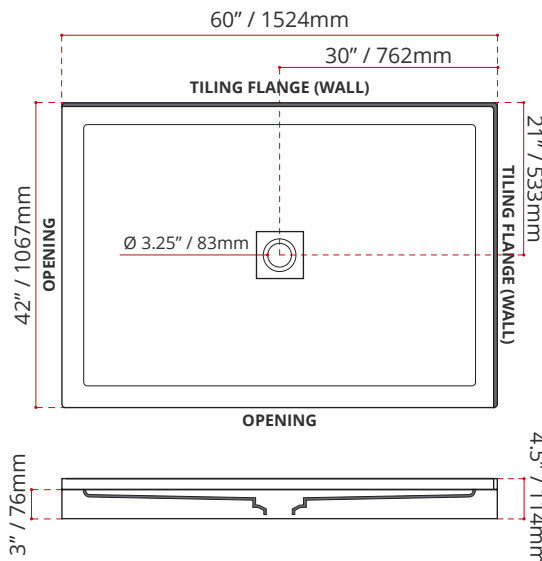
STAINLESS STEEL DRAIN COVER NOT INCLUDED SOLD SEPARATELY.

**DESCRIPTION:**

- Double Threshold / Opening
- **White Finish**
- **Left or right hand threshold opening**
- **Center Drain**
- High gloss / Crack-resistant acrylic.
- Made in Canada.
- Complies with CSA & IAPMO standards.

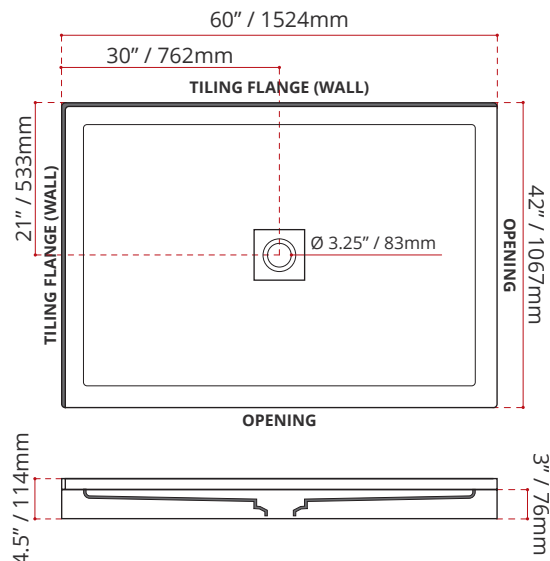
**SDTSD6042L1**

(LEFT HAND THRESHOLD OPENING)



**SDTSD6042R1**

(RIGHT HAND THRESHOLD OPENING)



DISCLAIMER: Measurements may vary ± 1/4" (Diagram Not to scale)

