



COLOUR OPTIONS ARE MADE TO ORDER - NO REFUND - NO RETURN -

|   |
|---|
| <b>BLACK FINISH</b>   |
|  |
| MODEL No: SDTSD7236L2 (LEFT HAND THRESHOLD)   |
| MODEL No: SDTSD7236R2 (RIGHT HAND THRESHOLD)  |

|   |
|---|
| <b>BISCUIT FINISH</b>   |
|  |
| MODEL No: SDTSD7236L3 (LEFT HAND THRESHOLD)   |
| MODEL No: SDTSD7236R3 (RIGHT HAND THRESHOLD)  |

Valley's double threshold, center drain acrylic shower bases are meant to be installed a corner setting. All acrylic shower bases have been redesigned with a minimal 3" threshold.

**STAINLESS STEEL DRAIN COVER NOT INCLUDED SOLD SEPARATELY.**

|   |
|---|
| <b>DESCRIPTION:</b>   |
| <ul style="list-style-type: none"> <li>• Double Threshold / Opening</li> <li>• <b>White Finish</b></li> <li>• <b>Left or right hand threshold opening</b></li> <li>• <b>Center Drain</b></li> <li>• High gloss / Crack-resistant acrylic.</li> <li>• Made in Canada.</li> <li>• Complies with CSA &amp; IAPMO standards.</li> </ul> |

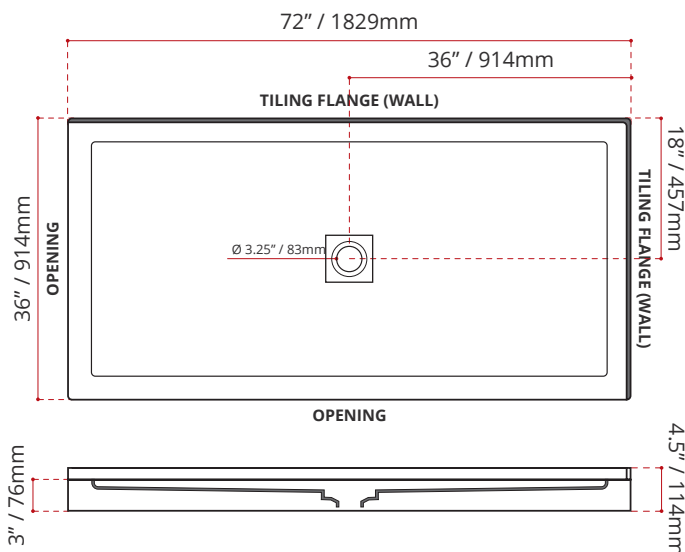
**CUSTOMIZE YOUR SHOWER BASE**

ALL UPCHARGE OPTIONS ARE MADE TO ORDER - NO REFUND - NO RETURN -

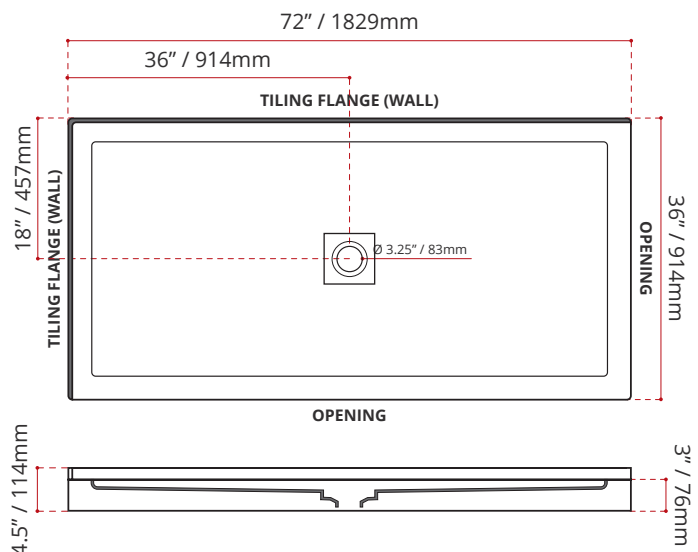
| AVAILABLE CUSTOMIZATION OPTIONS        | MODEL No.  |
|--|------------|
| TEXTURED BOTTOM                        | <b>C4</b>  |
| DOUBLE TILING FLANGE                   | <b>C5</b>  |
| TEXTURED BOTTOM + DOUBLE TILING FLANGE | <b>C45</b> |

|  |
|--|
| <b>SHIPPING INFORMATION:</b>   |
| <ul style="list-style-type: none"> <li>• Length: 74" / 1880mm</li> <li>• Width: 34" / 864mm</li> <li>• Height: 8" / 203mm</li> <li>• Net Weight: 35 kg / 77lbs</li> <li>• Gross Weight: 40 kg / 88lbs</li> </ul> |

**SDTSD7236L1**  
(LEFT HAND THRESHOLD OPENING)



**SDTSD7236R1**  
(RIGHT HAND THRESHOLD OPENING)



DISCLAIMER: Measurements may vary ± 1/4" (Diagram Not to scale)

