

Thank you for choosing Valley Acrylic Products. This installation manual provides general information on the installation of our products.

## **BEFORE YOU BEGIN**

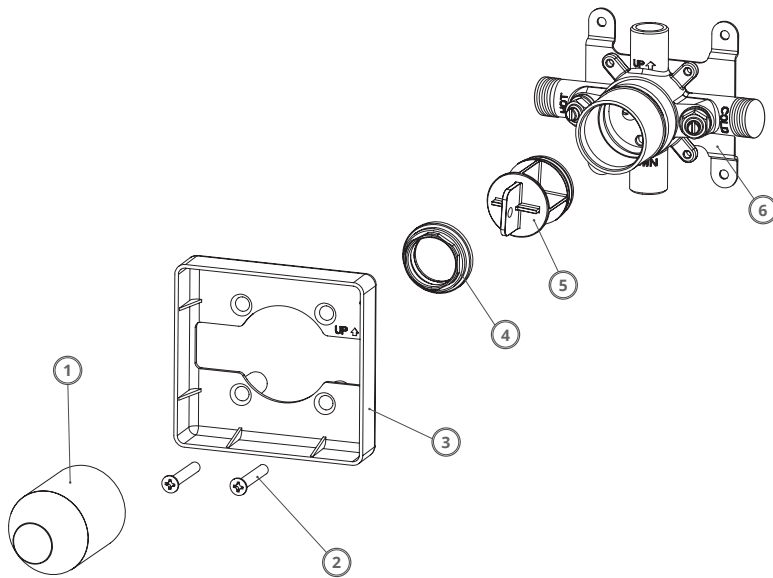
- Read all instructions before beginning installation.
- Consult local building codes to make sure the installation complies with standards.
- Remove the unit from its packaging. Before disposing of packaging , inspect the unit to make sure it is in good condition.
- Should inspection reveal any damage or defect in the finish, Contact Valley Acrylic Bath Ltd. at 1-877-398-8827 . The warranty does not cover damages or defects in the finish once the unit has been installed. The manufacturers responsibility for shipping damages ceases upon delivery of the product in good order to the carrier. All complaints regarding damage due to transport must be made directly to the carrier.

### **CAUTION**

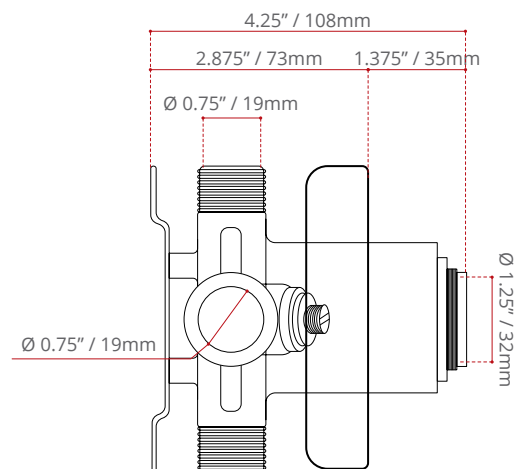
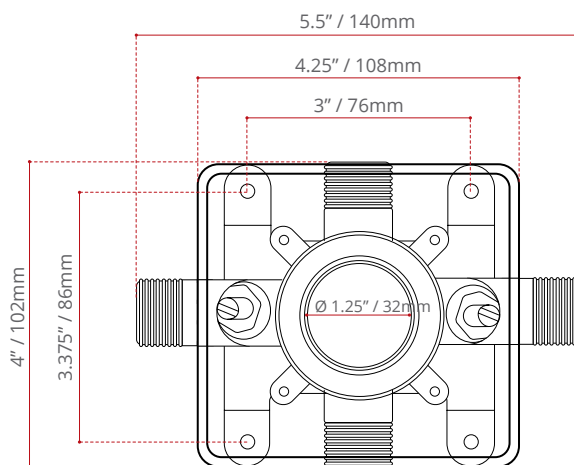
**RISK OF PERSONAL INJURY OR PRODUCT DAMAGE. HANDLE WITH CARE. PRODUCT CAN BREAK, CHIP OR CAUSE INJURY IF HANDLED CARELESSLY.**

**WE RECOMMEND THE INSTALLATION OF THIS PRODUCT BE DONE BY A LICENSED PROFESSIONAL PLUMBER.**

## SPECS



1	Protective cover
2	Screws
3	Plasterguard
4	Cartridge Nut
5	Test Cap
6	Main body





**Before assembly, flush the water supply pipes thoroughly to drain debris inside (allow the water to run with the main stopcock open for 3min), otherwise dirty particles might affect the function of the faucet.**

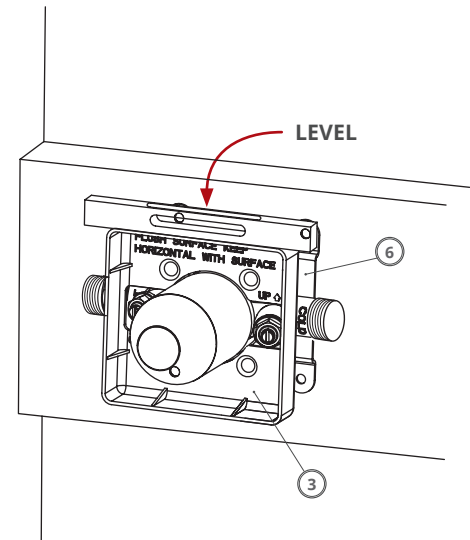
## 01

SHUT OFF WATER SUPPLIES.

Consider the type and thickness of your finished wall before placing the main body plate. Install the Main body (6) so the surface of the finished wall is flush with the front of the plasterguard (3)

Determine the valve location in the wall.

Put the level on top of plasterguard (3) and keep horizontal. Make 4 drilling marks on the wall after adjusting position.

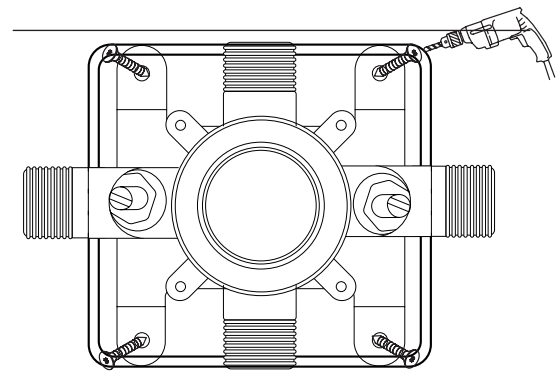


## 02

Fix the valve into the backing with screws (NOT included).



**BEFORE FIXING THE VALVE, MAKE SURE IT IS LEVEL.**

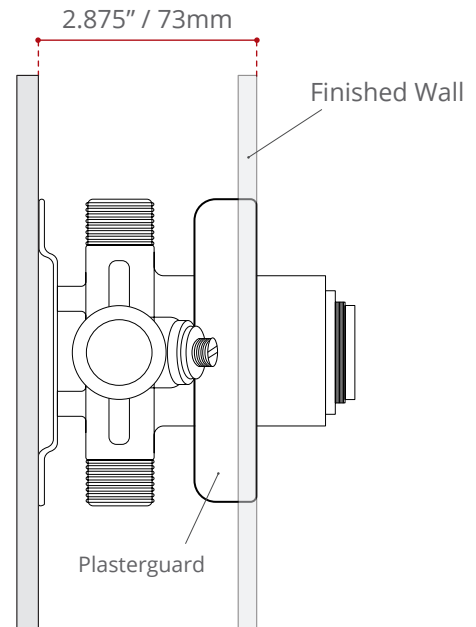


## 03

To ensure a proper installation of the valve inside the wall, it is very important to follow the recommended depth as indicated.

Distance from the back of the main body to the front of the plasterguard is 2.875"

**NOTE:** This is the same distance to the finished wall



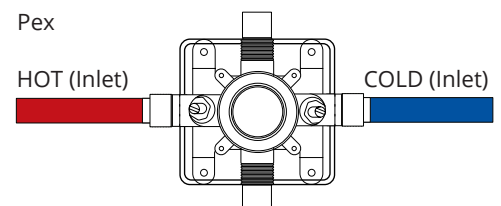
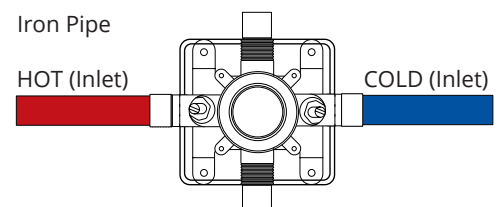
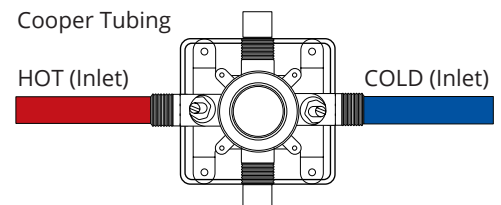
## 04

Connect the hot and cold water inlets using the proper fittings for your valve body type (copper tubing, iron pipe or Pex).

**NOTE:** For Pex, be sure to use the right fitting for crimping and the right tool for cold expansion. If either of the two outlet ports is to be unused, seal the port with a pipe plug.

The hot water inlet must always be connected on the left side of the valve and the cold water inlet on the right.

Ensure all piping is free from debris and dirt to prevent blockage in the mixer. Once all water connections have been made, check for possible leaks.



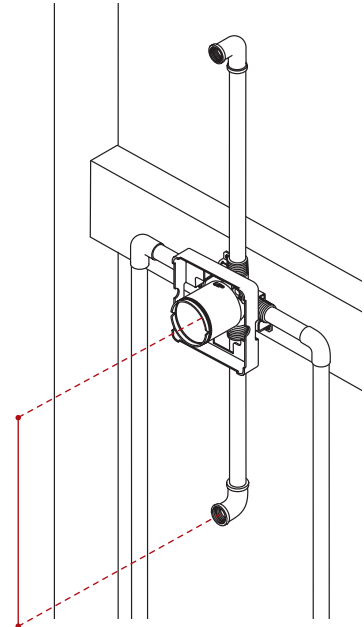
## 05

Connect top outlet to shower pipe with proper fittings.  
Connect bottom outlet to tub spout pipe with proper fittings.  
Pipe between valve body and tub spout must be a minimum of 0.5" / 13 mm copper pipe or 0.5"/13mm iron pipe in a **STRAIGHT** drop no less than 8" / 203mm but no more than 18" / 457mm long with only one iron pipe or copper 90 degree elbow to the tub spout nipple.



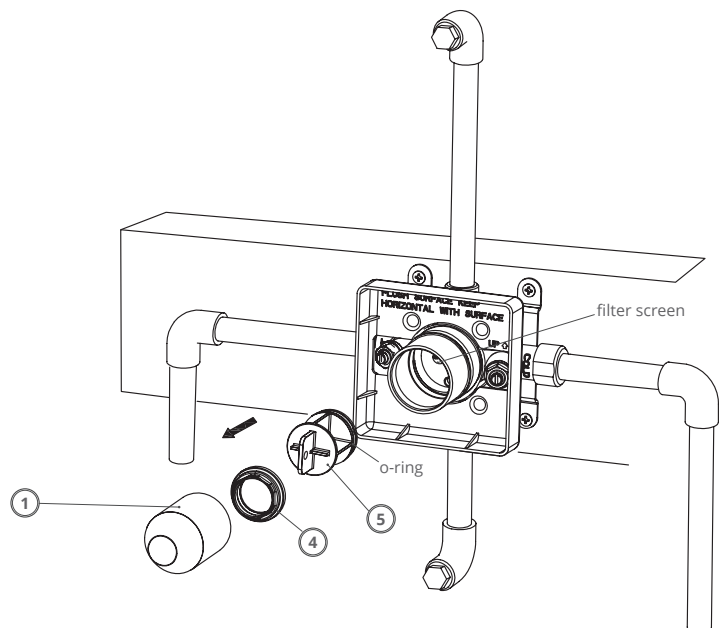
**DO NOT USE PEX TUBING FOR TUB SPOUT DROP.**

8" / 203mm  
18" / 457mm  
8po - 18po



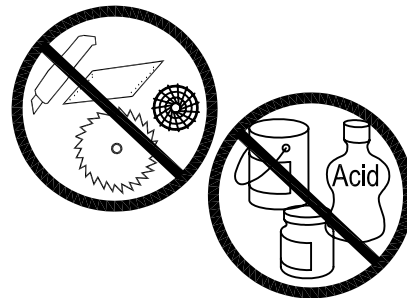
## 06

Prior to testing, remove protective cover (1), Test Cap (5) and Cartridge nut (4). Reinstall test cap and cartridge nut and tighten securely. Plug both outlets with proper fittings. Check for leaks. After testing remove shower and/or tub spout plug and flush system. After flushing, reinstall cap and cartridge nut and tighten securely until final installation.





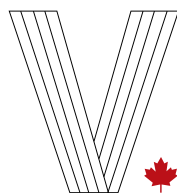
- After installation, make sure every joint safely sealed & no leaking.
- Using condition: Working pressure at 0.05-1.0MPa (including cold & hot water pressure) with applicable water temperature: 4 C- 90 C.
- Make sure to connect the hot/cold inlet pipe correctly, if standing in front, hot water pipe connecting to the left & cold water pipe connecting to the right.



## CLEANING AND MAINTENANCE

To keep the product clean, shining and in good condition, follow the steps as below:

- Flush with clean water & dry with soft cloth only;
- **Avoid** polishing powder, cleaning powder and any kind of detergent.



**VALLEY<sup>®</sup>**

*...you dream it, we create it*

***Congratulations! You are now a part of the Valley Acrylic family, and an owner of a great Canadian-made product!***