

DESCRIPTION:

- High quality brass casting for durability and long life
- Back-to-Back installation capabilities
- Thin wall mounting
- Complies with CSA standards

PRESSURE:

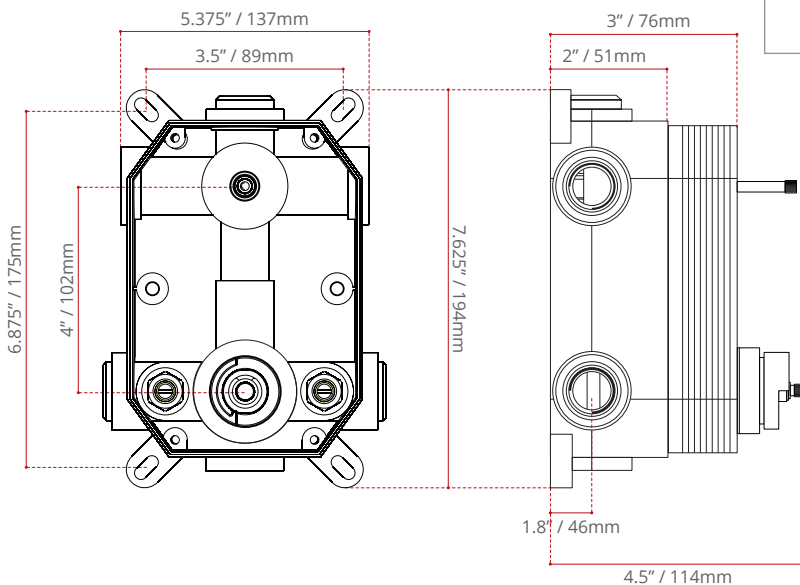
60 PSI

FLOW RATE:

20 LPM

SHIPPING INFORMATION:

- Length: 8.25" / 210 mm
- Width: 6" / 152 mm
- Height: 5.3" / 135 mm
- Net Weight: 2.18 kg / 4.8 lbs.
- Gross Weight: 2.36 kg / 5.2 lbs.



DISCLAIMER:

Measurements may vary $\pm \frac{1}{4}$ "
(Diagram Not to scale)

