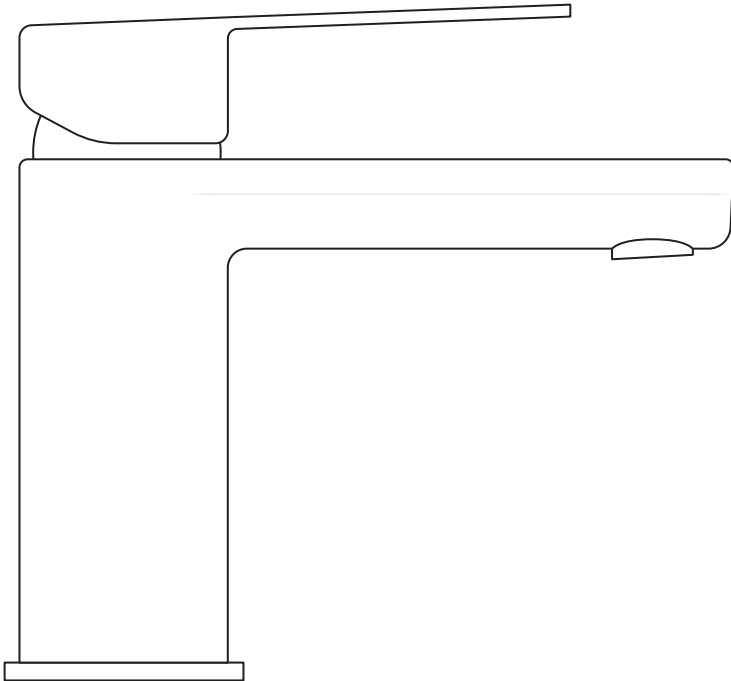

INSTALLATION GUIDE



INSTALLATION GUIDE

Remove the unit from its packaging. Before disposing, packaging and taking unit from your sales person, inspect the unit to make sure it is in good conditions.

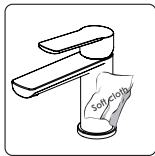
Should inspection reveal any damage or defect in the finish, contact your salesman. The warranty does not cover damages or defects in the finish once the unit has been installed.

It is recommended that you place the unit in the bathroom before you start. Sectional units should be disassembled if necessary. Conserve all nuts and bolts.

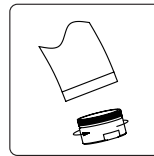
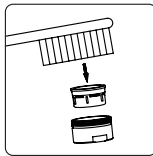
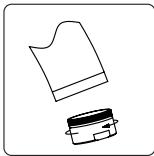
Don't over bend the hose, ensure no hose deformation before or after installation.

CAUTION: FOR BEST RESULTS, WE STRONGLY RECOMMEND THE INSTALLATION OF THIS FAUCET BE DONE BY A LICENSED PLUMBER.

CARE AND MAINTENANCE

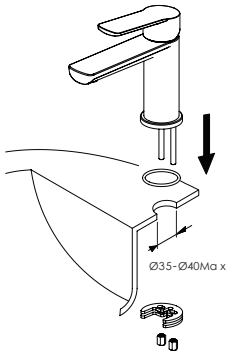


- **Avoid** polishing powder, cleaning powder and any kind of detergent.
- To clean your Valley faucet, wash with a wet nonabrasive soapy cloth. Then wipe dry with a soft towel or cloth. We recommend this be done on a regular basis.
- Clean the aerator gently with a toothbrush. Allow the water to flow for approximately 60 seconds, then reattach the aerator.



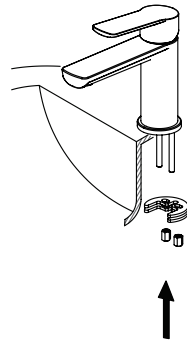
INSTALLATION GUIDE

01



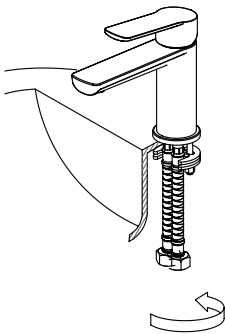
Make sure there is a 35mm-40mm hole on the basin before installing the faucet, Unscrew the fitting ASSY from the bottom of the body, then pass the body through the hole, don't forget to fix the o-ring between the bottom of the faucet and the basin.

02



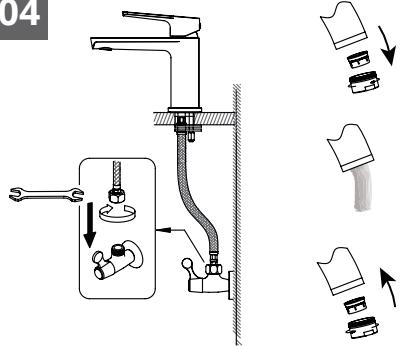
Install the gasket and bracket. Secure the faucet with the nut provided.

03



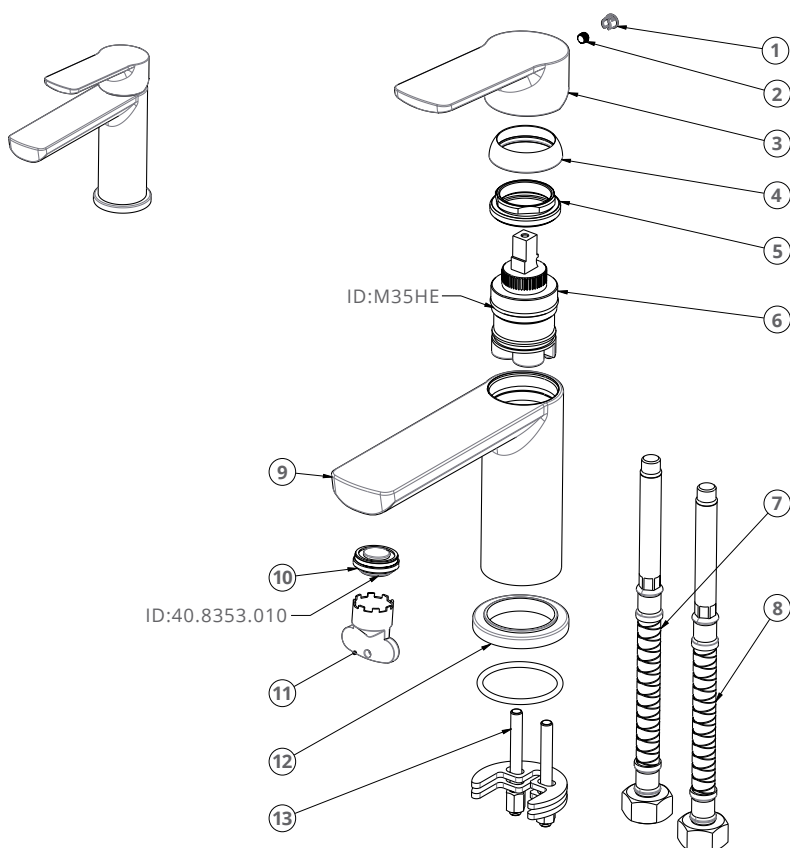
Hand tighten the nuts on the mounting ring provided.

04



Attach the water lines to your main water supply lines. Ensure that you are connecting the hot and cold lines appropriately. Remove the aerator. Run water and check for leaks. Reinstall the aerator

STANDARD PART LIST



NO.	CODE	QTY.
1	324-300100-700	1
2	320-015100-600	1
3	305-211300-501	1
4	504-301600-101	1
5	303-002600-140	1

NO.	CODE	QTY.
6	302-312400-700	1
7	312-306900-600	1
8	312-307000-600	1
9	501-136000-934	1
10	310-303800-700	1

NO.	CODE	QTY.
11	329-030400-700	1
12	315-009000-701	1
13	316-100900-100	1