



### DESCRIPTION:

- Single lever, single hole faucet
- Simple yet sophisticated design
- Brass body with chrome finish
- High quality, drip-free ceramic cartridge
- Corrosion & discolouration resistant
- Complies with CSA & IAPMO standards

### PRESSURE:

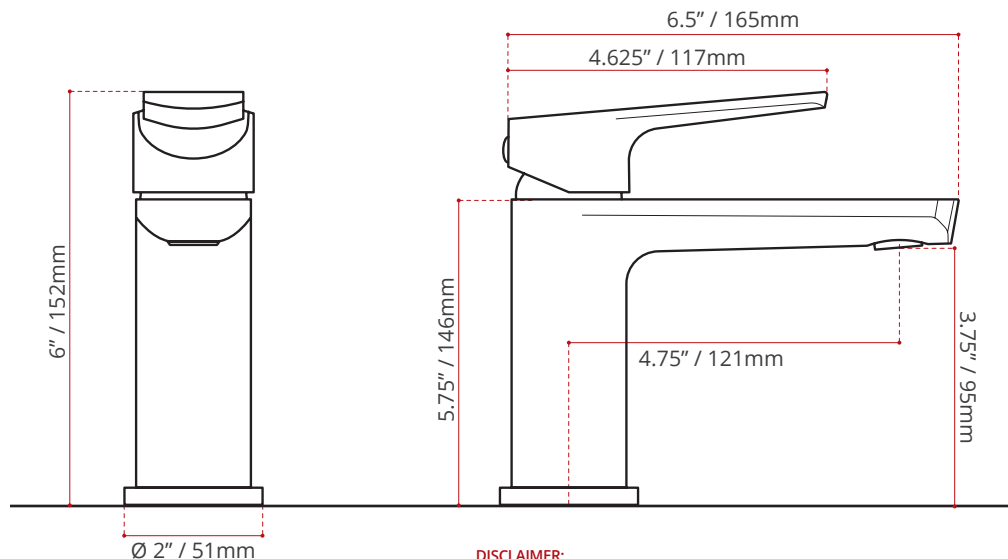
**60 PSI**

### FLOW RATE:

**8.3 LPM**

### SHIPPING INFORMATION:

- Length: 12.2" / 310mm
- Net Weight: 1.21 kg / 2.6 lbs.
- Width: 7.09" / 180mm
- Gross Weight: 1.43 kg / 3.15 lbs.
- Height: 2.76" / 70mm



### DISCLAIMER:

Measurements may vary  $\pm \frac{1}{4}$ "  
(Diagram Not to scale)