



DESCRIPTION:

- 1 - hole installation.
- Single hole & single lever.
- Chrome finish.
- Ceramic disc cartridge.
- Solid brass construction.
- Complies with CSA standards.

SHIPPING DIMENSIONS

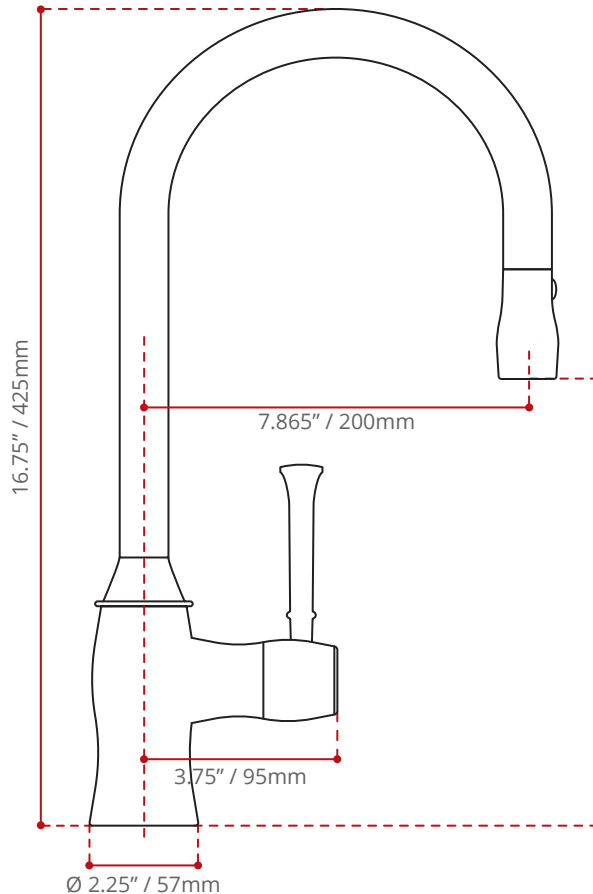
17 x 11 x 3" / 432 x 279 x 76mm

NET WEIGHT

TBA

GROSS WEIGHT

TBA



Measurements may vary ±5mm
- Diagram NOT to scale -



Complies With :
CSA B2481 (2004)
CSA B45.5 (2002)
ANSI Z124.1.2 (2005)