



DESCRIPTION:

- Round cover
- Chrome finish
- 1/2" NPT Male inlet
- G1/2" Male thread

SHIPPING DIMENSIONS

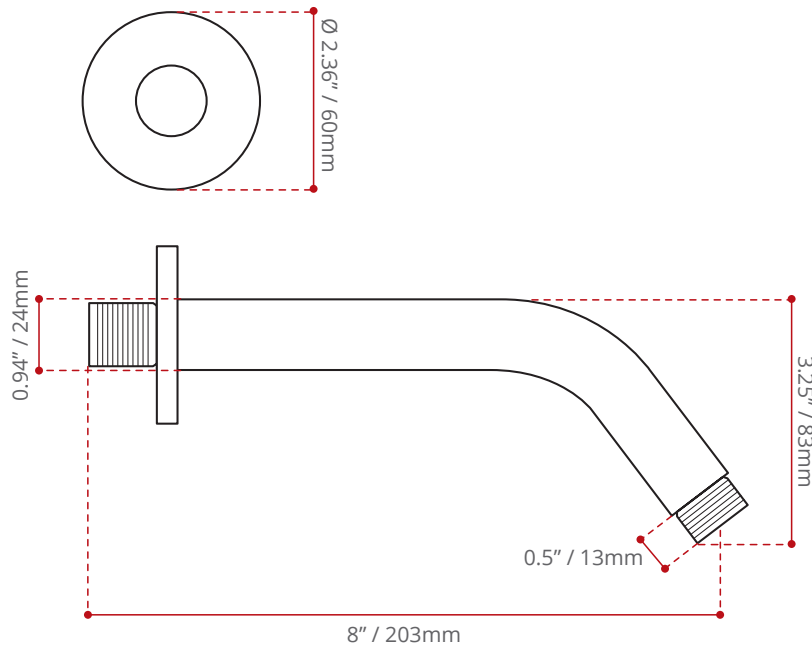
2.75 x 10 x 2.75" / 70 x 254 x 70mm

NET WEIGHT

0.4 kg / 0.88 lbs.

GROSS WEIGHT

0.5 kg / 1.1 lbs.



Measurements may vary $\pm 5\text{mm}$
- Diagram NOT to scale -

